

ORACLE LIGHTING

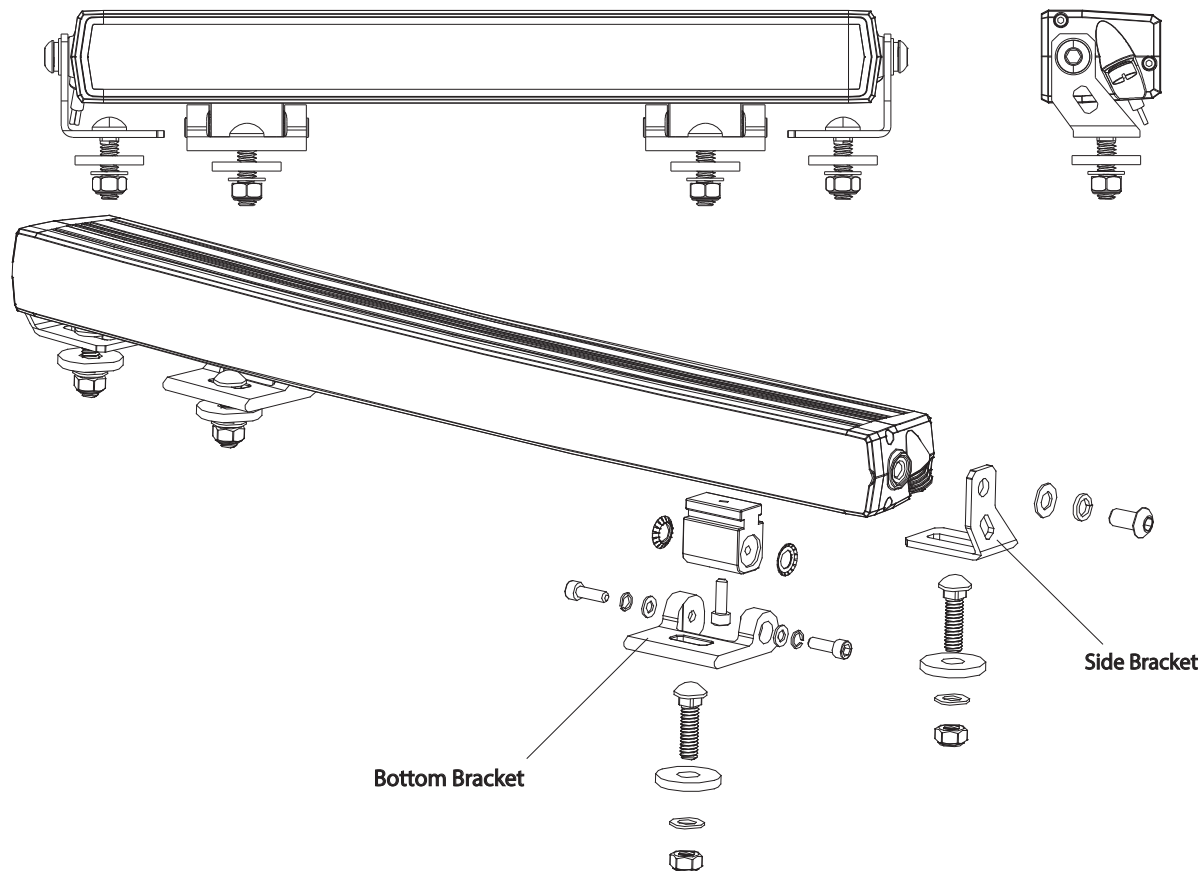
5900 SERIES LED LIGHT BAR USER GUIDE

Before you Begin:

- Read all instructions carefully and study diagrams before installing lights.
- Check with state and local guidelines governing usage and proper mounting of auxiliary lamps.
- Disconnect battery ground cable during installation to avoid accidental short circuits.
- Be sure to use correct gauge cable, fuses, and relays for proper installation.
- Professional installation is recommended.

Installation Guidelines:

- Wiring Guide: Black - / Red + / Yellow + Parking Light / White + Daytime Running Light.
- Included hardware requires 1 1/32" holes for mounting with the included brackets.
- See Illustration Below of Multi Mounting Options: Side Bracket & Bottom Bracket.



Product Warnings:

- Use this product only within the specified input voltage [9V - 36V DC].
- This light may become hot under continuous use. Use caution to avoid burns.
- Keep heat-sink clean and exposed to air flow to maintain adequate cooling.