

LEGEND

Item #	Description	Qty
1	Center Support	1
2	Side Support Left	1
3	Side Support Right	1
4	Front Rail	1
5	Rear Left Rail	1
6	Rear Right Rail	1
7	Side Rail Left	1
8	Side Rail Right	1
9	M6 X 18mm Socket Cap Screw, BLK	18
10	M6 Stainless Steel Flat Washer	18
11	M6 Stainless Steel Oversized Flat Washer	18
12	M6 Zinc-Plated Steel Nylock Nut	18
13	Logo Front Plate	1
14	M4 x 12mm Stainless Socket Cap Screw, BLK	2
15	M4 Black-Oxide Stainless Steel Flat Washer	2
16	M4 Zinc-Plated Steel Nylock Nut	2

FROM THE TOOLBOX

Wrenches or sockets
Hex keys

NEED ADDITIONAL HELP?

Check out our YouTube channel
Call us: (714) 799-6711
Monday - Friday: 8am-5pm
Email: sales@assaultind.com

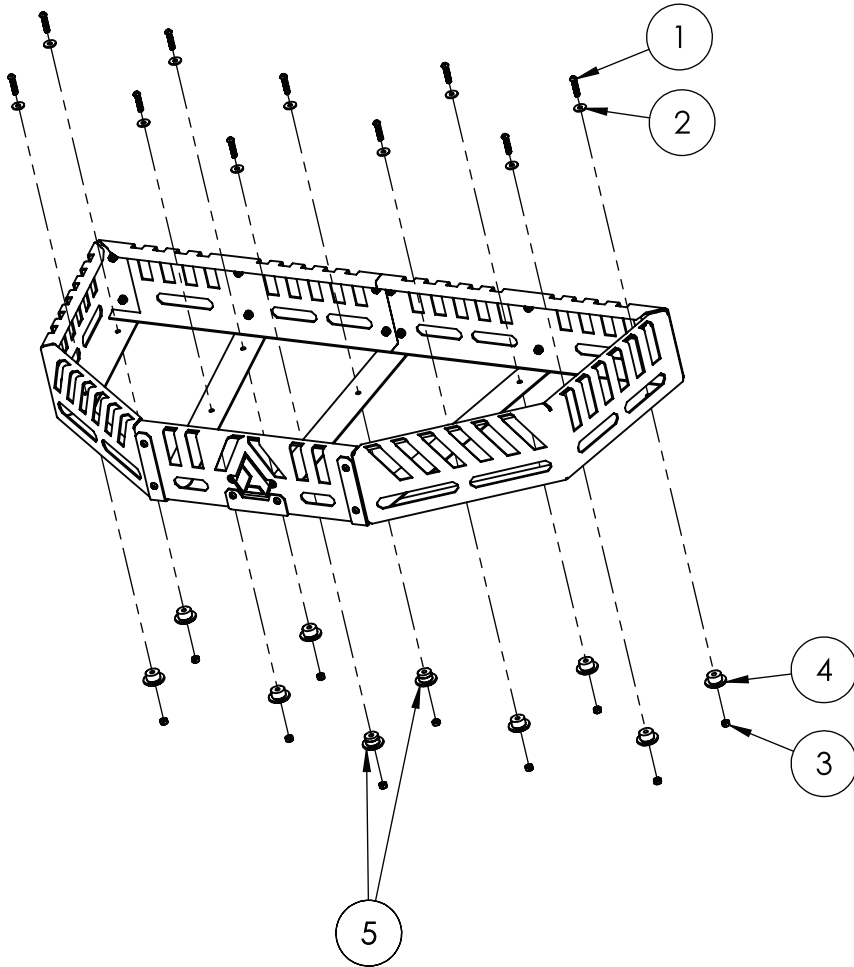
LEAVE US FEEDBACK

Visit Assaultind.com and leave a review of your product purchase. We appreciate your opinion... even if you're wrong! :)

INSTALLATION

1. Identify all components and hardware using the exploded view and legend above.
 2. Assemble the frame first - each panel will only install one way, then install the 3 supports.
 3. Nylock nuts are supplied to keep the hardware from coming loose over time. (Thread locker is not required. Be sure to use washers where needed to ensure that the finish is not damaged when tightening.
- Note:** Do not over-tighten hardware. It only needs to be snug.
4. Install the Assault logo plate and snug the hardware.

**See next page for
vehicle installation**



LEGEND

Item #	Description	Qty
1	M6 X 30mm Screw	10
2	M6 Oversized Flat Washer	10
3	M6 Locknut	28
4	Large Flange Bushing	8
5	Small Flange Bushing	2

Note: The small flange bushing has a machined marking around it for easy identification.

FROM THE TOOLBOX

Wrenches or sockets
Hex keys

NEED ADDITIONAL HELP?

Check out our YouTube channel
Call us: (714) 799-6711
Monday - Friday: 8am-5pm
Email: sales@assaultind.com

LEAVE US FEEDBACK

Visit Assaultind.com and leave a review of your product purchase. We appreciate your opinion... even if you're wrong! :)

INSTALLATION

1. Identify all components and hardware using the exploded view and legend above.
2. You may need a helping hand if you cannot reach to tighten from the top/bottom.
3. Place the washers and screws into holes in the lower supports.
4. When installing the lower bushings and nylock nuts be sure to identify the two bushings with markings (a machined line) around the bushing. Those bushings will be used on the center support as they are slightly different

Note: The recon rack mounts to the bed and uses existing holes in the body to bolt in. Nylock nuts are supplied. There is no need to tighten excessively. Just tighten until snug and there is no movement.