

## **DURACLUTCH INSTALLATION**

### **15-533 DC-RANGER500-A**

SVI, LLC REV2 19OCT2022

KIT PART #: 15-533

MODEL: DC-RANGER500-A

DESCRIPTION: MY99, SERIES 10, 11, MY04-13 RANGER 500 ALL MODELS, BOBCAT 500 MODELS

#### KIT CONTENTS:

1. 10-244 ASM-DCPRIM 030 WT25-223 SPR50-001
2. 25-164 WASHER-SHOULDER
3. 10-209 ASM-DC SECONDARY 9.5 PREM ROLL 423915
4. 35-025 BELT (substitute PII 3211162)

Note: Belt 35-025 gives a low start-out ratio but may be slightly less top speed compared to the stock clutch. You can try the stock belt 3211162 in the DURACLUTCH which may give more top speed, but the starting ratio will be higher.

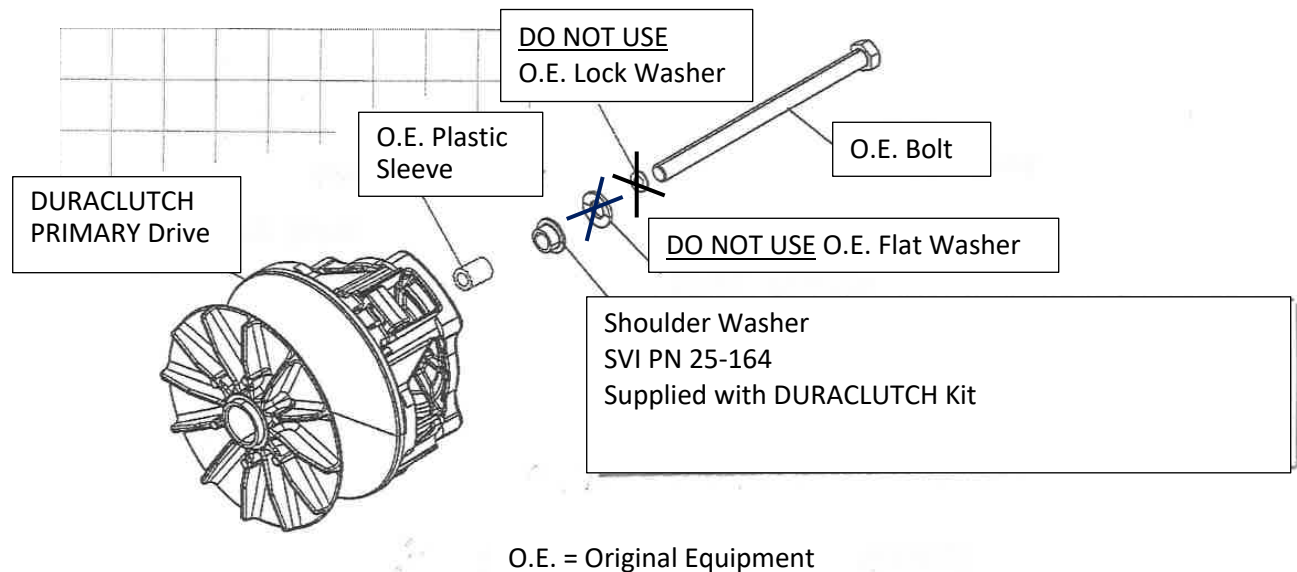
5. 30-091 TOOL-BELT INSTALL
6. 97-018 DECALS - CLUTCH HOUSING AND DASH 35-025
7. OWNERS MANUAL SUPPLEMENT
8. WEIGHT CHART
9. DURACLUTCH WARRANTY
10. 98-056 INSTALLATION INSTRUCTIONS DC 15-533 (THESE INSTRUCTIONS)

#### NOTE REGARDING ENGINE MOUNTS ON MY99, SERIES 10, 11, MY04-13 RANGER 500 MODELS:

Check the motor mounts (4 places) to insure none are broken (separated) or vehicle performance will be adversely affected. The best way to do this is to use a pry bar to move the engine away from the mount. If the mount is broken, it will separate when you move the engine away from the mount.

## DURACLUTCH INSTALLATION

1. Remove the Secondary clutch.
2. Install DURACLUTCH Secondary. Tighten bolt to 20 ft-lbf.
3. Remove Primary clutch bolt. Remove the Primary clutch with puller SVI 25-126. Greasing the end of the puller slightly will aid in removal. Do not get grease on any clutch components.
4. Clean the engine tapered shaft and Primary clutch bore with alcohol or degreaser. Do not lubricate.
5. Slip the belt into the Primary and over the Secondary.
6. Install DURACLUTCH Primary with shoulder washer as shown. DO NOT USE the O.E. flat washer or lock washer. The flat washer will interfere with the primary cover. Tighten bolt to 60 ft-lbf.



7. Install the belt as follows if the Primary and Secondary clutches are already installed. Place belt in the Primary and open the Secondary sheaves with the Belt Installation Tool provided (see photo). Roll the belt into the Secondary sheaves.



8. Set belt tension. Place transmission in neutral and set park brake. APPLY FOOT BRAKE TO INSURE VEHICLE REMAINS STATIONARY. Apply slight throttle to turn Secondary.

9. Install outer clutch housing. Insure seal is good or replace. The DURACLUTCH primary is slightly larger than the original equipment primary. To insure the primary does not rub against the cover push up and back on the housing while lightly snugging the bottom screws. Then tighten the top rear screw followed by the other top screws. Then tighten all remaining screws including the bottom screws evenly. After starting the engine if you hear the primary rubbing, push on the cover while the engine is running in different directions to see which way will eliminate the rubbing. Stop the engine and loosen the housing screws and retighten using the above sequence while pushing on the cover in the direction that eliminated the rubbing. If this does not eliminate the rubbing try installing a new gasket and go through the bolt tightening sequence again. If you cannot eliminate the rubbing the cover is heat warped and you may have to install a new cover and perhaps a new back plate. You may also try using a heat gun to remove heat sag in the cover.

#### DECALS

10. Apply two decals as shown – one on the clutch housing and one on the dash. Clean surface with alcohol or similar non-harsh solvent. Decal application is important to alert service technicians that the standard Polaris clutches have been replaced.

