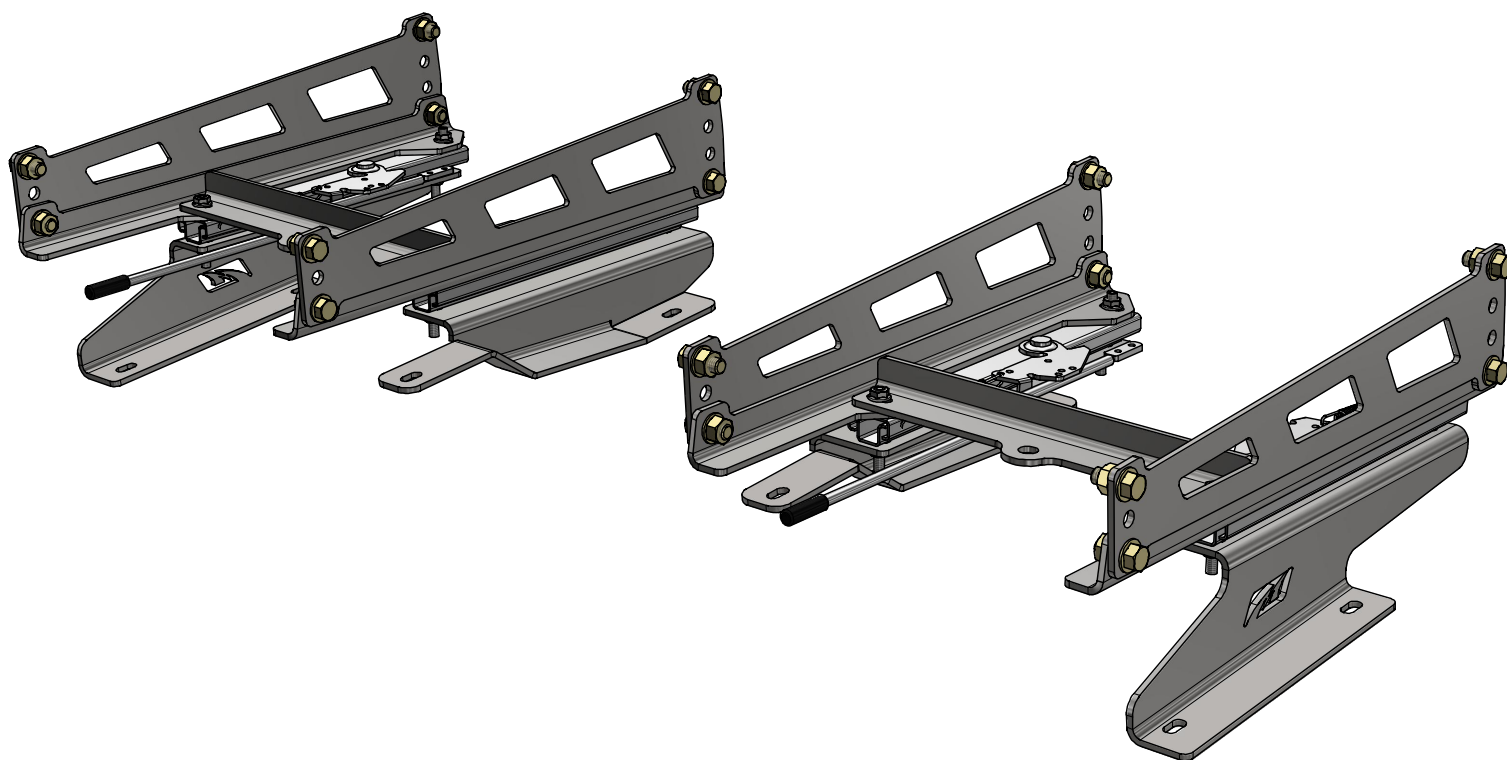


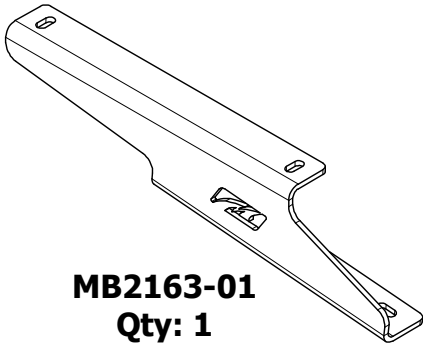
# YJ SLIDER FRONT SEAT MOUNTS



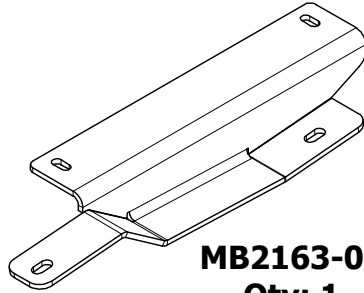
## INSTALLATION INSTRUCTIONS

**MB2163 - Installation Instructions YJ Slider Front Seat Mounts**

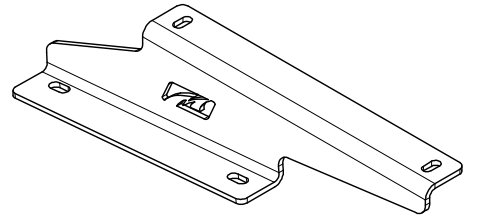
**KIT COMPONENTS**



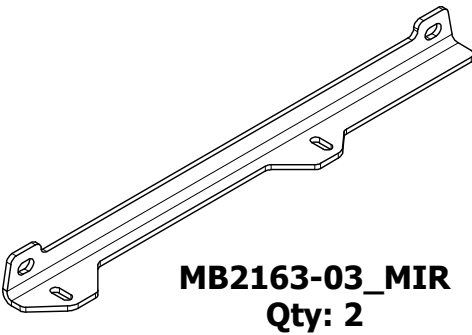
**MB2163-01**  
Qty: 1



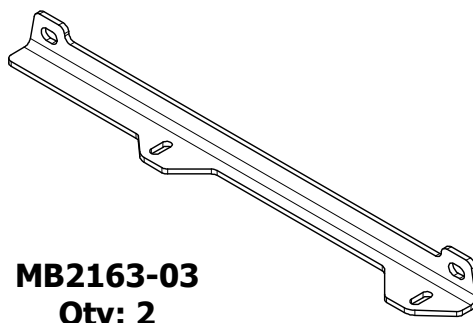
**MB2163-02**  
Qty: 1



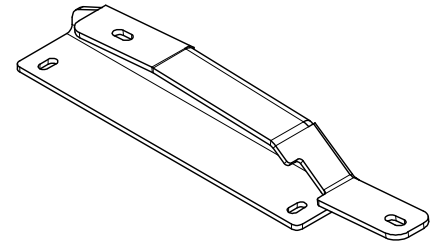
**MB2163-06**  
Qty: 1



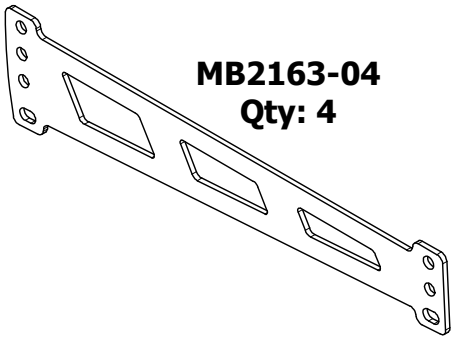
**MB2163-03\_MIR**  
Qty: 2



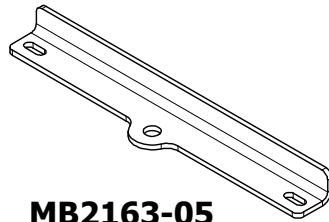
**MB2163-03**  
Qty: 2



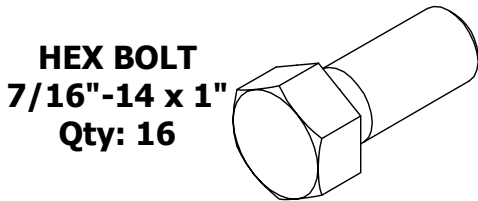
**MB2163-07**  
Qty: 1



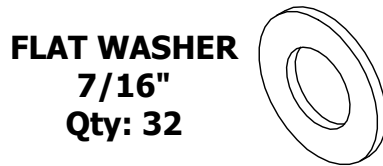
**MB2163-04**  
Qty: 4



**MB2163-05**  
Qty: 2



**HEX BOLT**  
7/16"-14 x 1"  
Qty: 16

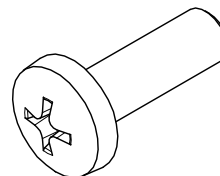
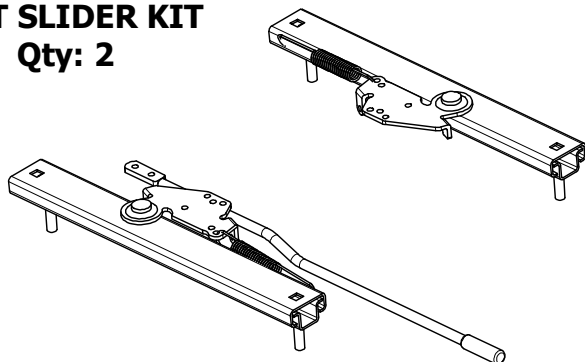


**FLAT WASHER**  
7/16"  
Qty: 32

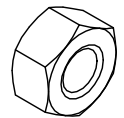


**NYLOCK NUT**  
7/16"-14  
Qty: 16

**SEAT SLIDER KIT**  
Qty: 2



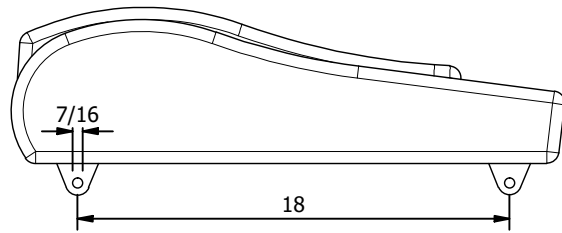
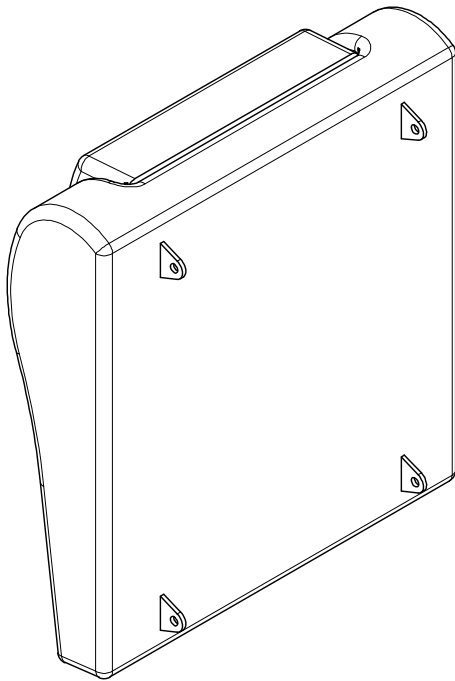
**PHILIPS MACHINE SCREW**  
5/16"-18 x 1"  
Qty: 4



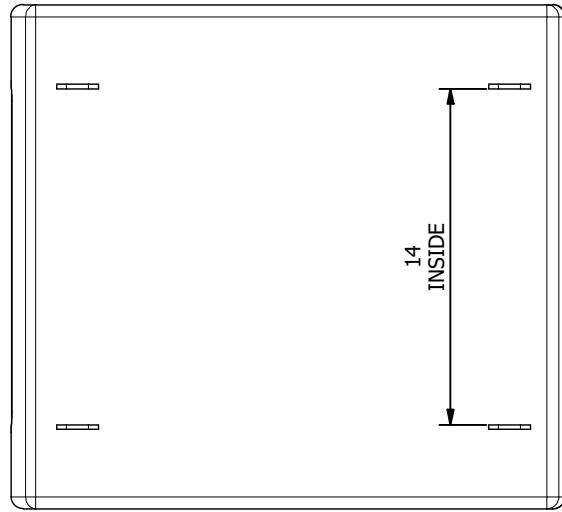
**HEX NUT**  
5/16"-18  
Qty: 8

**MB2163 - Installation Instructions YJ Slider Front Seat Mounts**

**SEAT DIMENSIONS**



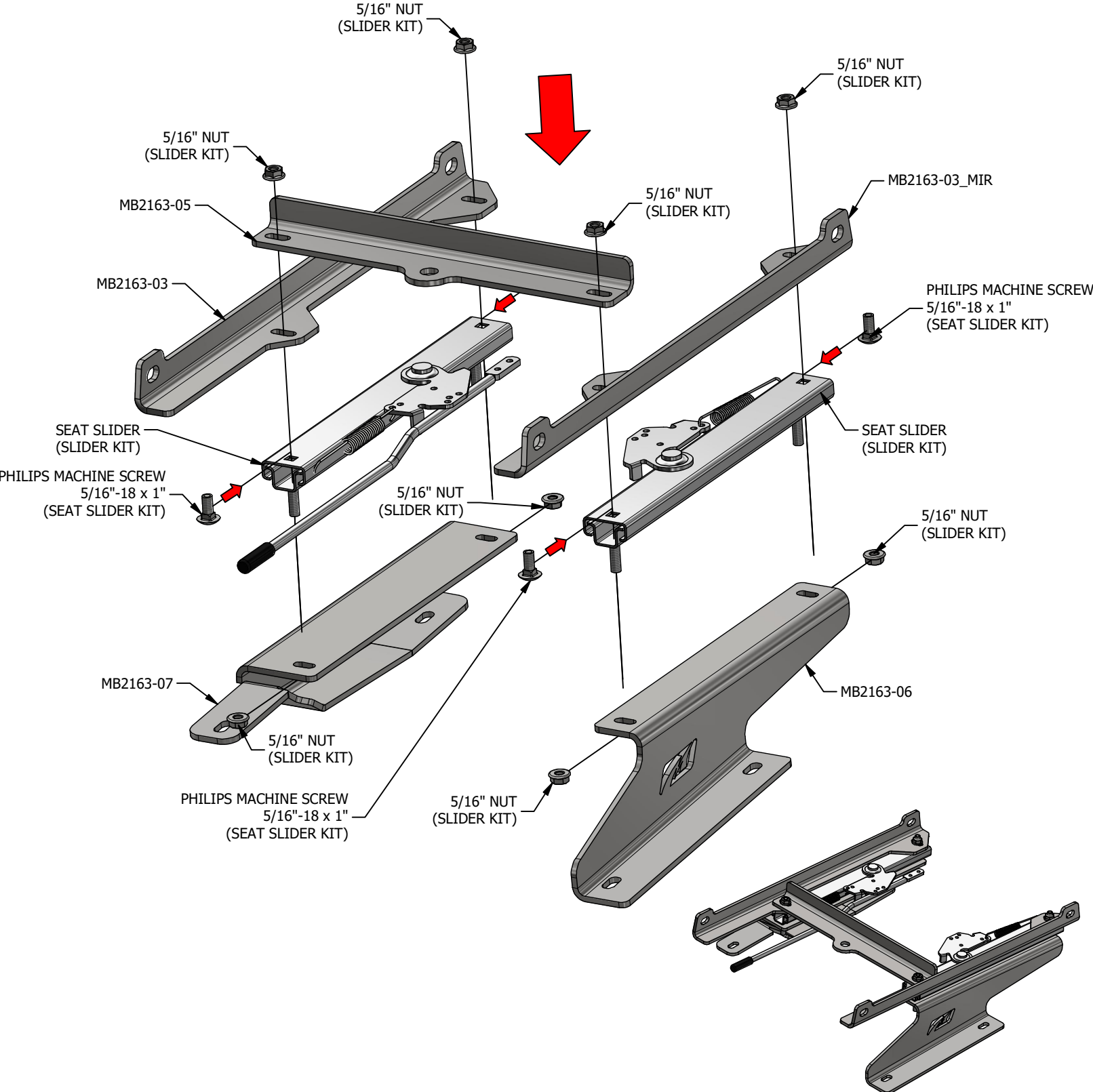
**SIDE**



**BOTTOM**

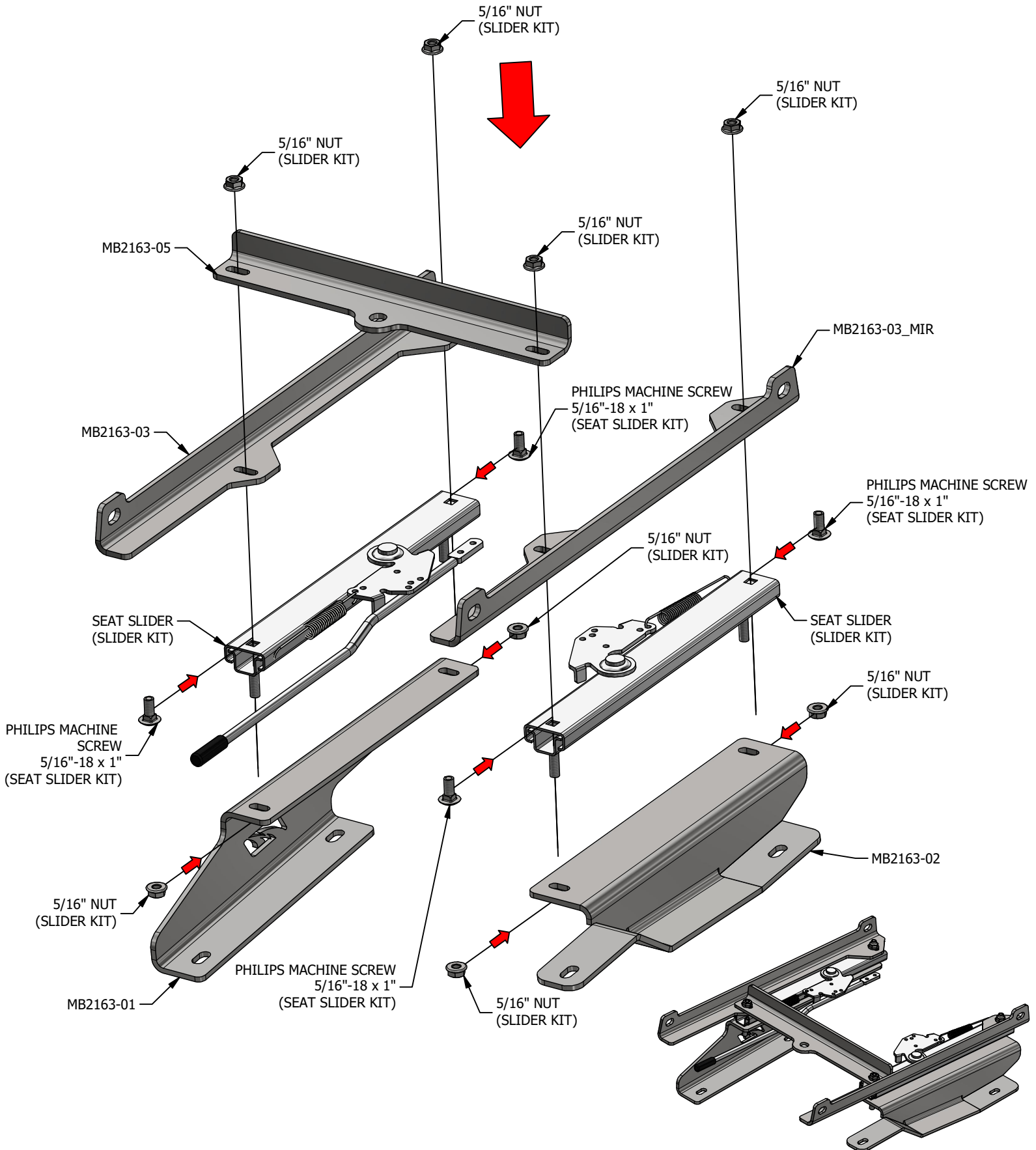
**MB2163 - Installation Instructions YJ Slider Front Seat Mounts**

**SEAT SLIDER ASSEMBLY - DRIVER**



**MB2163 - Installation Instructions YJ Slider Front Seat Mounts**

**SEAT SLIDER ASSEMBLY - PASSENGER**



**MB2163-04 Plate 04**

**OPTIONAL SEAT RISER**

