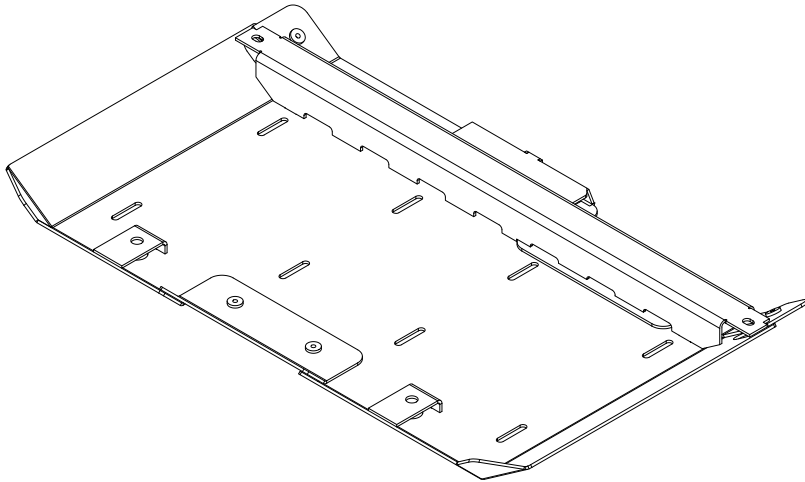


MB1221-Shipping JT Gladiator Diesel Skid System

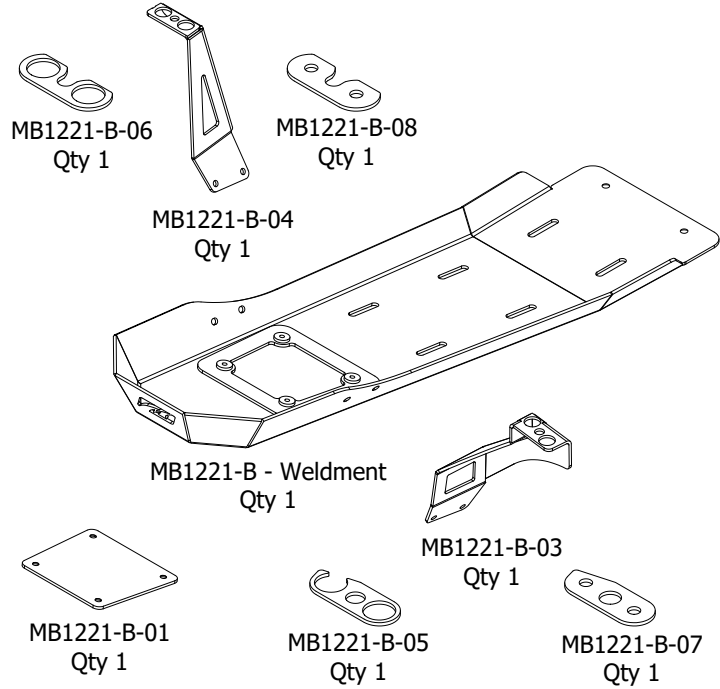
CONTENTS

Transmission Skid

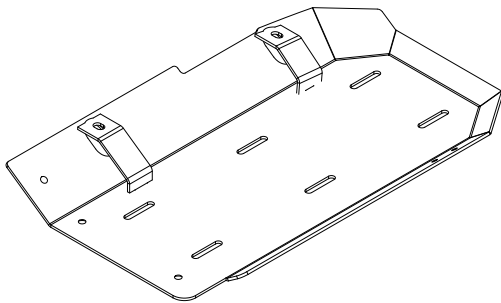


MB1221-A - Weldment
Qty 1

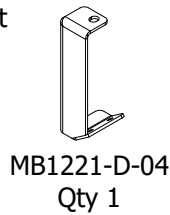
Engine Skid



Exhaust Skid

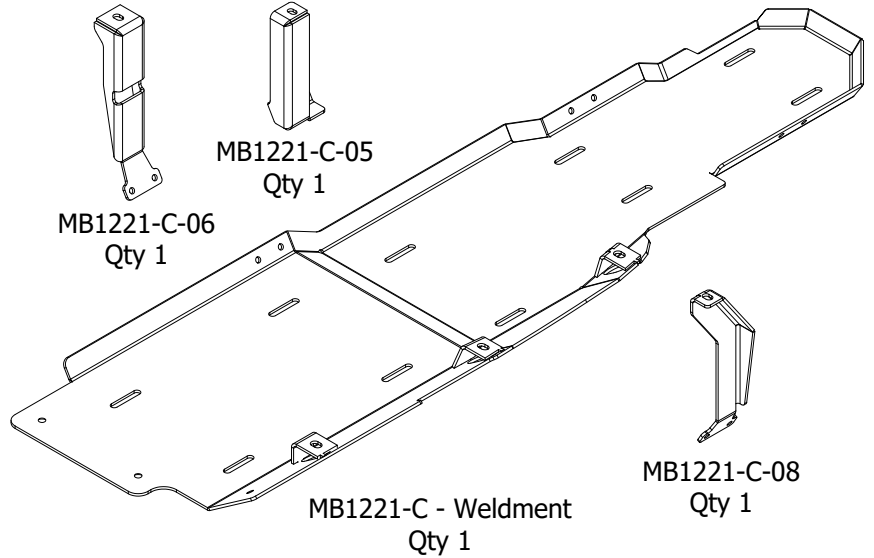


MB1221-D - Weldment
Qty 1

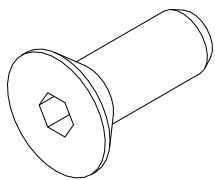


MB1221-D-04
Qty 1

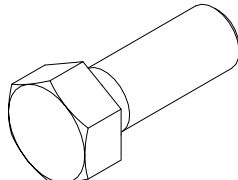
Gas Tank Skid



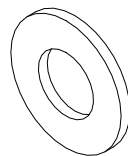
MB1221-C - Weldment
Qty 1



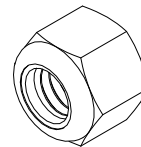
3/8"-16 x 1" Socket Flat Head Screw
Qty 14
(Includes 2 Spare)



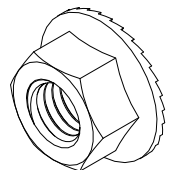
3/8"-16 x 1" Hex Bolt
Qty 14
(Includes 2 Spare)



3/8" Flat Washer
Qty 26
(Includes 2 Spare)



3/8"-16 Nylon Insert Hex Locknut
Qty 14
(Includes 2 Spare)



M10x1.5 Serrated Flange Nut
Qty 4