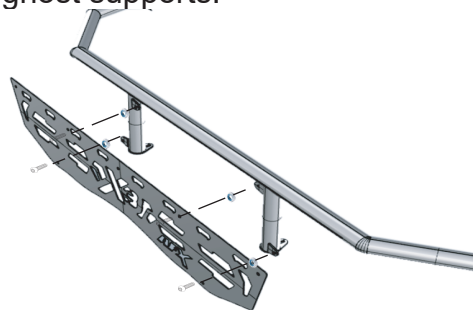


4

Place the aluminum sheet on the base and use the 1/4" x 3/4" screw and 1/4" security nuts (included in the package) to attach them to the ghost supports.

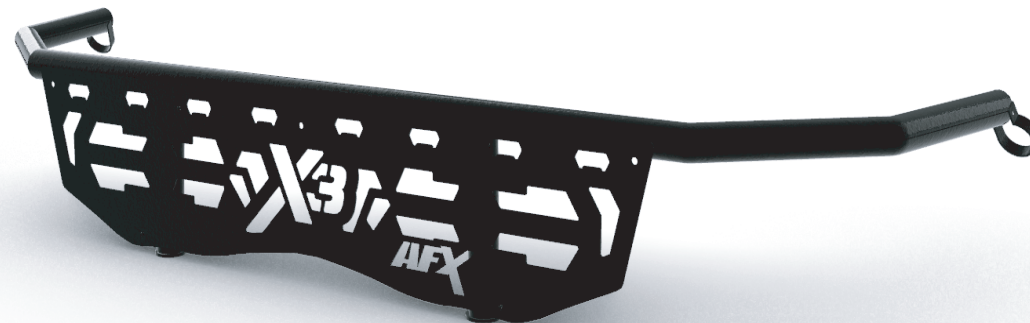


4

Finally tighten all the screws.



REAR CARGO RACK INSTALLATION MANUAL



For technical support , please write us to:
info@afxmotorsports.com or call us at:
Ph. 956-242-6521

HAVE FUN AND A SAFE RIDE!



www.afxmotorsports.com
4610 Modern Lane, Laredo, TX 78041 Ph. 956-242-6521

THIS PRODUCT IS FOR OFF ROAD USE ONLY

CAN AM X3 / X3 MAX

ACC034

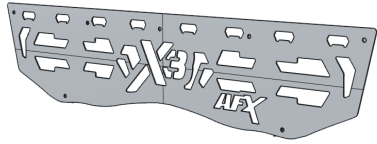
THANK YOU!

FOR PURCHASING AT AFX MOTORSPORTS



HOW TO INSTALL

Pieces included:



■ (x1) Aluminium plate



■ (x2) Ghost Supports



■ (x2) Clamps



■ (x1) Tube base

Hardware:

- (2x) 5/16 x 1 1/2" Button Screw
- (2x) 5/16 Security Nut
- (7x) 1/4 x 3/4" Button Screw
- (7x) 1/4 Lock Nut

Tools needed (Not Included):

- 3/4" Wrench.
- 7/32" Allen Key.
- 9/16" or 14 mm Combination Wrench.

Liability Statement

AF1 Motorsports products are designed to best fit user's ATV/UTV under stock conditions. Adding, modifying, or fabricating any factory or aftermarket parts will void any warranty provided by AF1 Motorsports and is not recommended. AF1 Motorsports products could interfere with other aftermarket accessories. If user has aftermarket products on machine, contact AF1 Motorsports to verify that they will work together. Although AF1 Motorsports has thousands of satisfied customers, user should be aware that installing bumpers, rock sliders, spare tire carriers, etc. will change the ride of machine and may increase maintenance and part wear. Operating any off-road machine while, or after, consuming alcohol and/or drugs increases risk of bodily harm or death. No warranty or representation is made as to this product's ability to protect user from severe injury or death. AF1 Motorsports urges operators and occupants to wear a helmet and appropriate riding gear at all times. By purchasing and installing AF1 Motorsports products, user agrees that should damages occur, AF1 Motorsports will not be held responsible for loss of time, use, labor fees, replacement parts, or freight charges. AF1 Motorsports, nor any 3rd party, will not be held responsible for any direct, indirect, incidental, special, or consequential damages that result from any product purchased from AF1 Motorsports. The total liability of seller to user for all damages, losses, and causes of action, if any, shall not exceed the total purchase price paid for the product that gave rise to the claim. AF1 Motorsports will warranty only parts provided by AF1 Motorsports. Any damage or problems with OEM housings, bearings, seals, or other manufacturers' products will not be covered by AF1 Motorsports. AF1 Motorsports parts and products are not warrantied if item was not installed properly, misused, or modified.

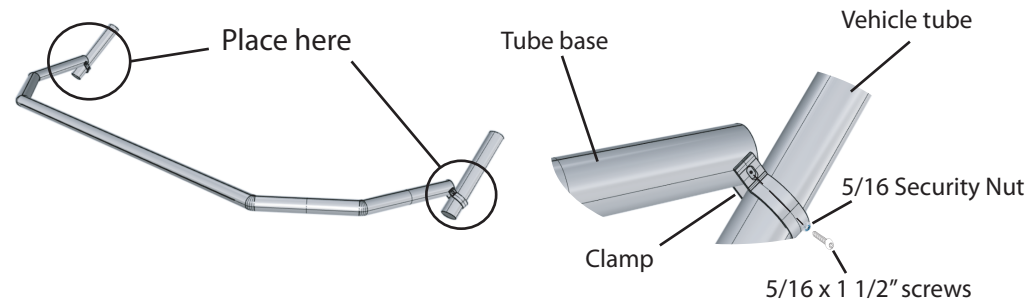
1

Position the cargo rack at the rear of the vehicle.



2

Use the clamps to attach the base tube to the sides of the vehicle with the 5/16 x 1 1/2" screws and the 5/16 lock nut (included in the package) remember not to tighten the screws yet.



3

Place the ghost supports in the middle of the tube, and tie it to the flared side, then attach the vehicle screws and the age) to the base of the vehicle (do not tighten yet).

