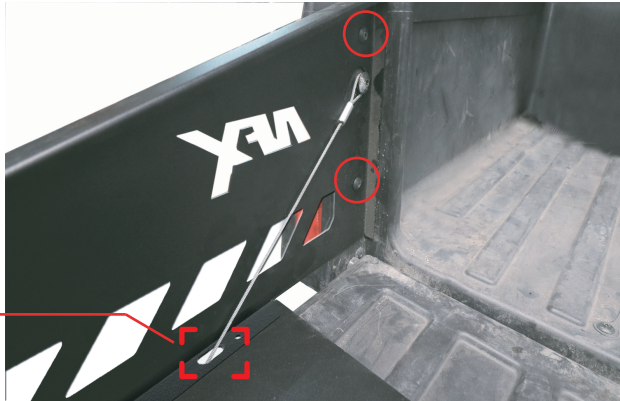


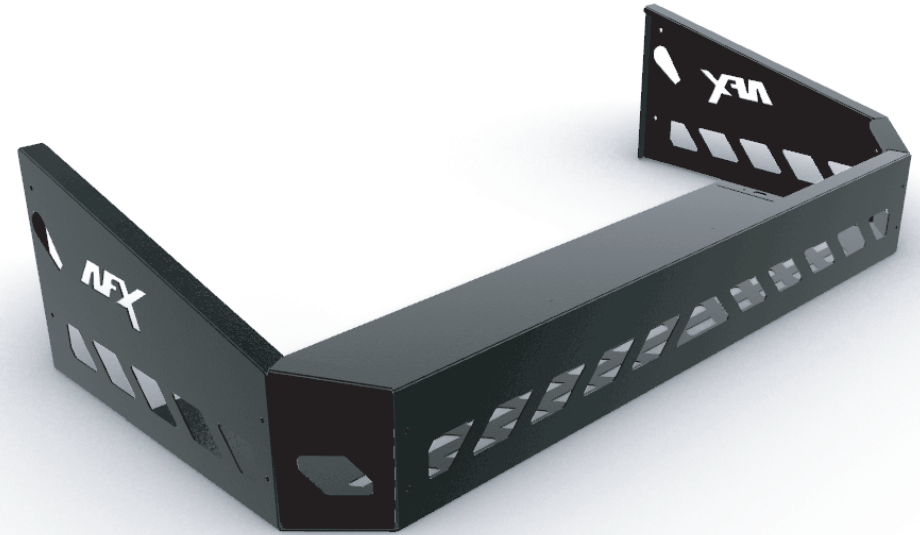
4

Install the side screws again over the holes of the bed extension (indicated in the images) and tighten it, then fasten the safety cable on the anchor again.



The cable passes through the perforation

BED EXTENSION INSTALLATION MANUAL



Now you have completed the installation.

For technical support , please write us to:
info@afxmotorsports.com or call us at:
Ph. 956-242-6521

HAVE FUN AND A SAFE RIDE!



www.afxmotorsports.com
4610 Modern Lane, Laredo, TX 78041 Ph. 956-242-6521

THIS PRODUCT IS FOR OFF ROAD USE ONLY

POLARIS RANGER 570

ACC092



THANK YOU!

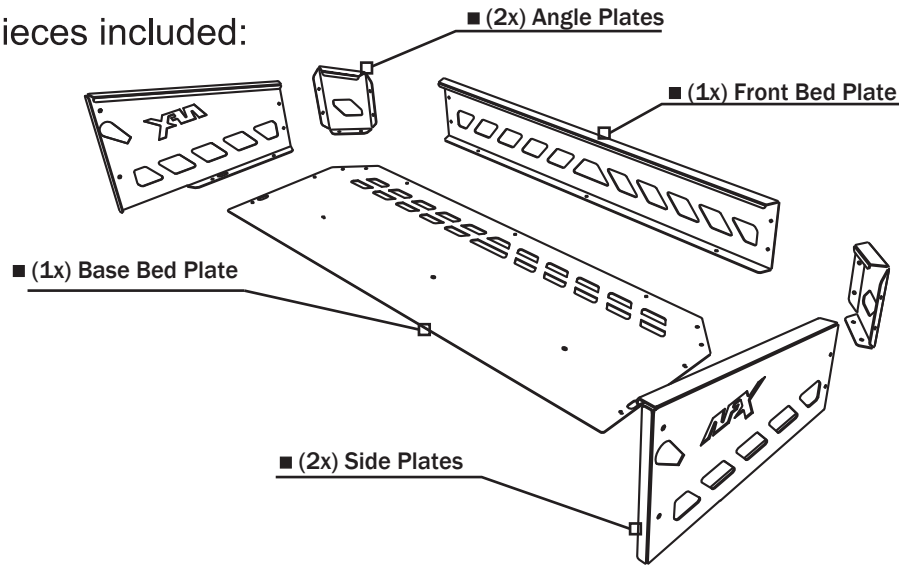
FOR PURCHASING AT AFX MOTORSPORTS



BED EXTENSION FOR POLARIS RANGER

HOW TO INSTALL

Pieces included:



- (3x) 1/4" x 2 1/4" Screw for plastic
- (3x) 1/4" Washers
- (19x) 1/4" x 1/2" Screw
- (19x) Lock Nut 1/4"

Tools needed (Not Included):

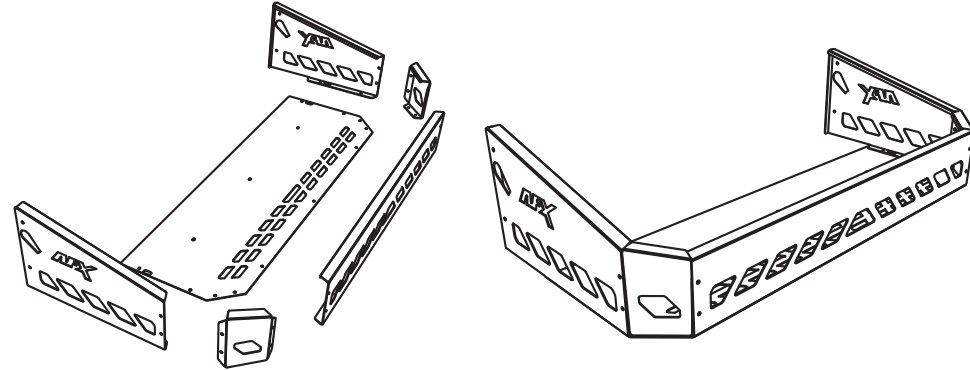
- 7/16" Combination Wrench
- Flat Screwdriver
- 7/32" Allen Key

Liability Statement

AFX Motorsports products are designed to best fit user's ATV/UTV under stock conditions. Adding, modifying, or fabricating any factory or aftermarket parts will void any warranty provided by AF1 Motorsports and is not recommended. AF1 Motorsports products could interfere with other aftermarket accessories. If user has aftermarket products on machine, contact AF1 Motorsports to verify that they will work together. Although AF1 Motorsports has thousands of satisfied customers, user should be aware that installing bumpers, rock sliders, spare tire carriers, etc. will change the ride of machine and may increase maintenance and part wear. Operating any off-road machine while, or after, consuming alcohol and/or drugs increases risk of bodily harm or death. No warranty or representation is made as to this product's ability to protect user from severe injury or death. AF1 Motorsports urges operators and occupants to wear a helmet and appropriate riding gear at all times. By purchasing and installing AF1 Motorsports products, user agrees that should damages occur, AF1 Motorsports will not be held responsible for loss of time, use, labor fees, replacement parts, or freight charges. AF1 Motorsports, nor any 3rd party, will not be held responsible for any direct, indirect, incidental, special, or consequential damages that result from any product purchased from AF1 Motorsports. The total liability of seller to user for all damages, losses, and causes of action, if any, shall not exceed the total purchase price paid for the product that gave rise to the claim. AF1 Motorsports will warranty only parts provided by AF1 Motorsports. Any damage or problems with OEM housings, bearings, seals, or other manufacturers' products will not be covered by AF1 Motorsports. AF1 Motorsports parts and products are not warranted if item was not installed properly, misused, or modified.

1

Attach the side plates, angle plates, and the front plate to the base with the screws and secure the nuts.



2

Remove the screws from the rear case of the racer (indicated in the first image), together with the safety cable, then remove the screws (indicated in the second image) with the help of a screwdriver.



3

Then place the bed extension and secure the previously removed pins over on the holes with a flat screwdriver (indicated in the image).

Screw for plastic and washers

