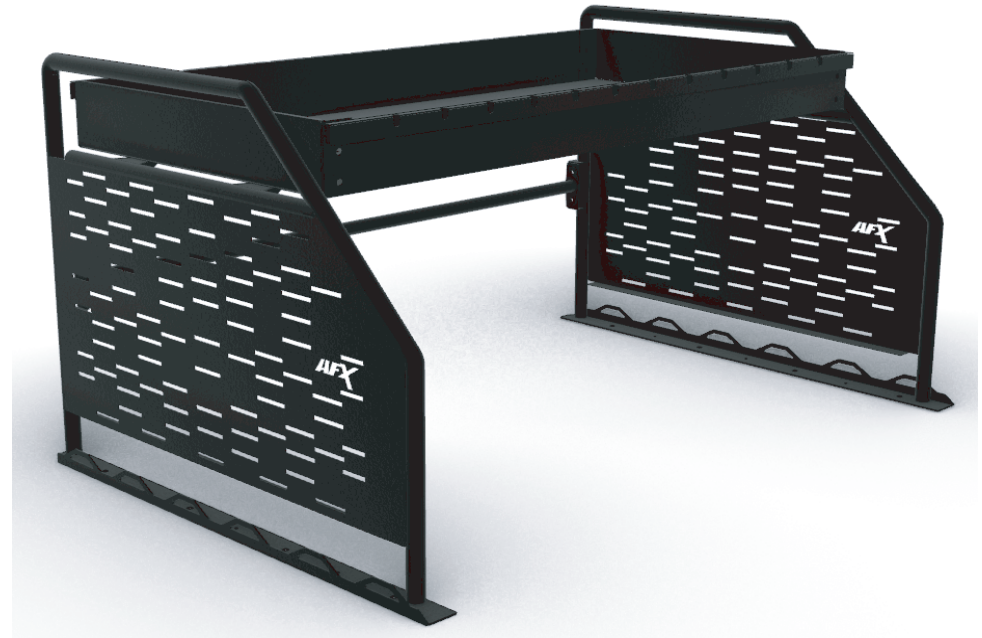




REAR CARGO RACK INSTALLATION MANUAL



Now you have completed the installation.

For technical support , please write us to:
info@afxmotorsports.com or call us at:
Ph. 956-242-6521

HAVE FUN AND A SAFE RIDE!



www.afxmotorsports.com

4610 Modern Lane, Laredo, TX 78041 Ph. 956-242-6521

THIS PRODUCT IS FOR OFF ROAD USE ONLY

CANAM DEFENDER 2018-2022

ACC112

THANK YOU!

FOR PURCHASING AT AFX MOTORSPORTS



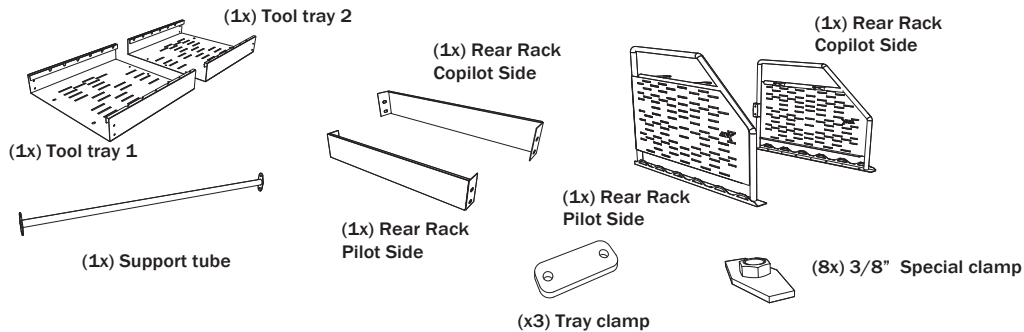
REAR CARGO RACK FOR CAN AM DEFENDER

9

Tighten all the screws

HOW TO INSTALL

Pieces included:



- (8x) 5/16" x 1" Hexagonal Screw
- (8x) 5/16" washer
- (8x) 5/16" Nut
- (20x) 3/8" Washer
- (24x) 3/8" x 1" Hexagonal Screw
- (24x) 3/8" Nut

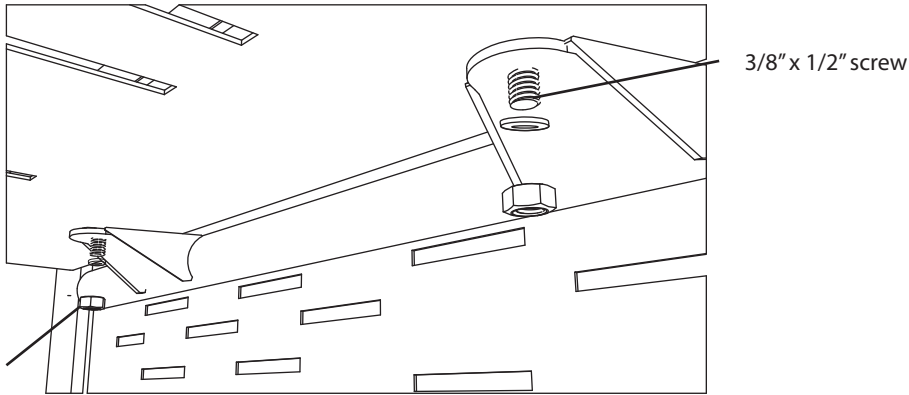
Tools needed (Not Included):

- 5/32" Allen Key
- 1/2" Combination Wrench
- 7/16" Combination Wrench
- 15mm Combination Wrench

Liability Statement

AF1 Motorsports products are designed to best fit user's ATV/UTV under stock conditions. Adding, modifying, or fabricating any factory or aftermarket parts will void any warranty provided by AF1 Motorsports and is not recommended. AF1 Motorsports products could interfere with other aftermarket accessories. If user has aftermarket products on machine, contact AF1 Motorsports to verify that they will work together. Although AF1 Motorsports has thousands of satisfied customers, user should be aware that installing bumpers, rock sliders, spare tire carriers, etc. will change the ride of machine and may increase maintenance and part wear. Operating any off-road machine while, or after, consuming alcohol and/or drugs increases risk of bodily harm or death. No warranty or representation is made as to this product's ability to protect user from severe injury or death. AF1 Motorsports urges operators and occupants to wear a helmet and appropriate riding gear at all times. By purchasing and installing AF1 Motorsports products, user agrees that should damages occur, AF1 Motorsports will not be held responsible for loss of time, use, labor fees, replacement parts, or freight charges. AF1 Motorsports, nor any 3rd party, will not be held responsible for any direct, indirect, incidental, special, or consequential damages that result from any product purchased from AF1 Motorsports. The total liability of seller to user for all damages, losses, and causes of action, if any, shall not exceed the total purchase price paid for the product that gave rise to the claim. AF1 Motorsports will warranty only parts provided by AF1 Motorsports. Any damage or problems with OEM housings, bearings, seals, or other manufacturers' products will not be covered by AF1 Motorsports. AF1 Motorsports parts and products are not warranted if item was not installed properly, misused, or modified.

7 Align the holes and secure with 3/8" X 1/2" bolts and nut



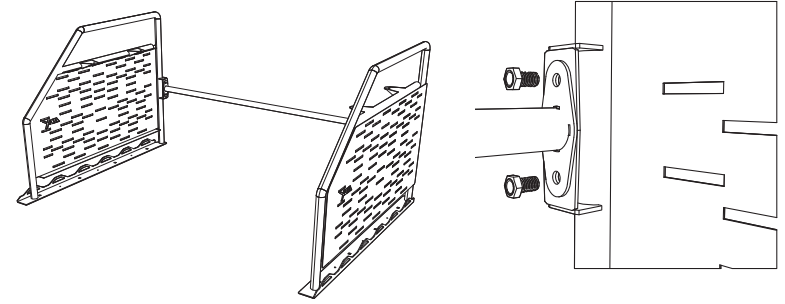
3/8" nut

8 Verify everything is tightly fitted to the bed of your vehicle.

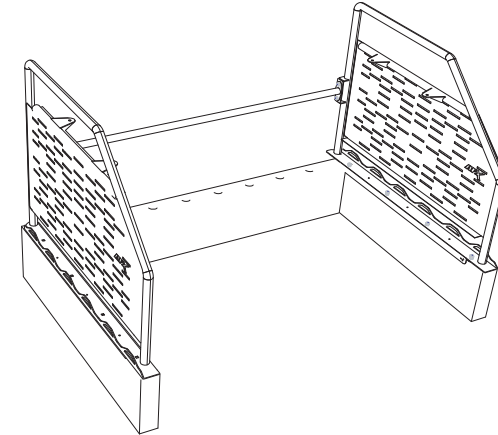


***Do not tighten the screws until assembly is complete**

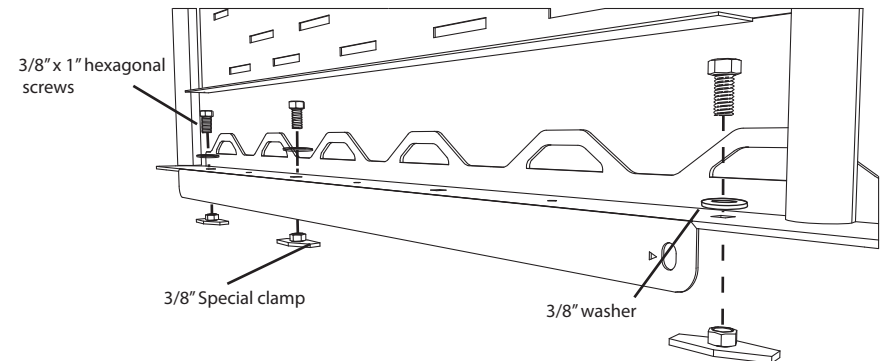
1 Join both side of the Rear Rack with the support tube. Use two 3/8" x 1" screws on each side, but do not tighten the screws



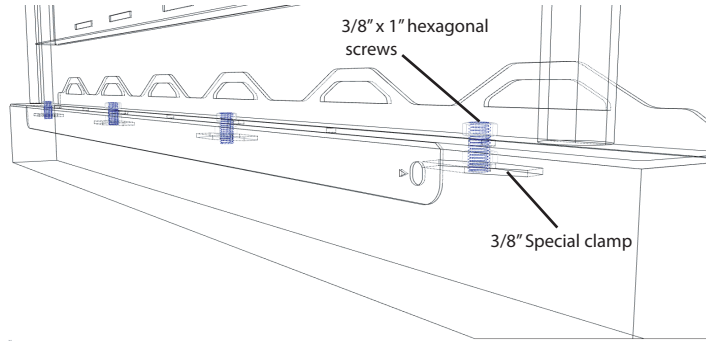
2 Place the rear Rack over the vehicle's bed.



3 Insert the special clamps through the holes from the side Rear Rack and put the 3/8" x 1" hexagonal screw and washers up on the holes.



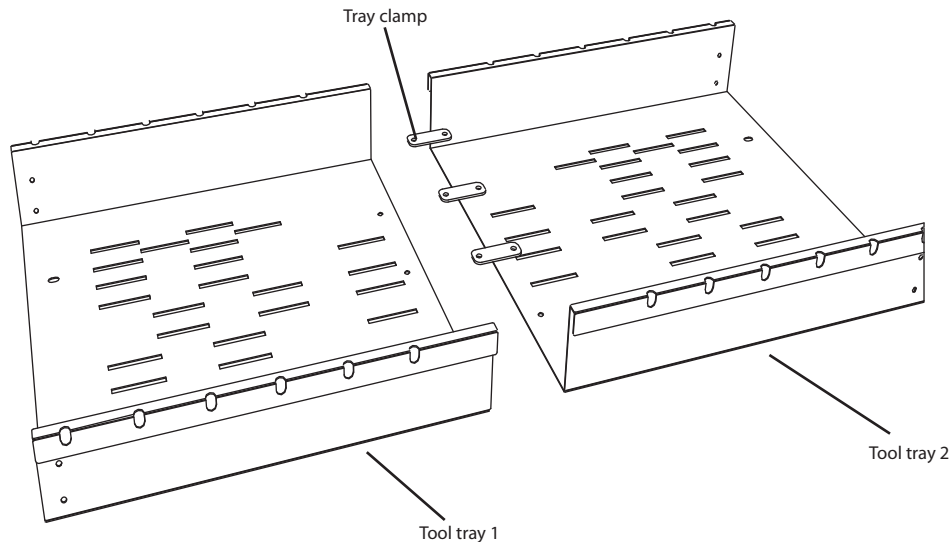
4 Make sure the special clamp goes inside of the plastic, and attach the 3/8" x 1" hexagonal screws.



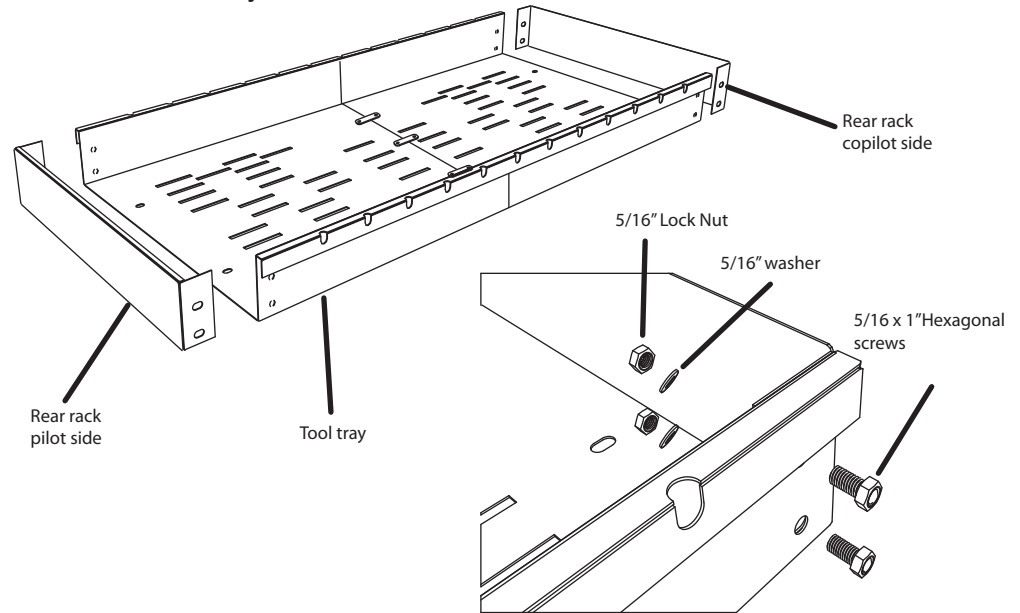
Make sure the hardware that secures the rear rack, aligns to the holes on the vehicle's bed. If not, change the position of the hardware.

***Do not tighten the screws until assembly is complete**

5 Attach with the 3/8" x 1" hexagonal screws with washers and nuts the tool tray 1 and 2 with the tray clamp.



5 Assemble the Tool Tray. Use two 5/16" x 3/4" bolts and nuts on every side union.



6 When the assembly of the Tool Tray is done, place it over both sides of the Rear Rack.

