



## **SPORT ROOF RACK INSTALLATION MANUAL**



For technical support , please write us to:  
or call us at:  
Ph. 956-242-6521

**HAVE FUN AND A SAFE RIDE!**



www.afxmotorsports.com  
4610 Modern Lane, Laredo, TX 78041 Ph. 956-242-6521

**THIS PRODUCT IS FOR OFF ROAD USE ONLY**

## **CAN AM X3 MAX 4 SEATERS**

## **CAN006-S**



# THANK YOU!

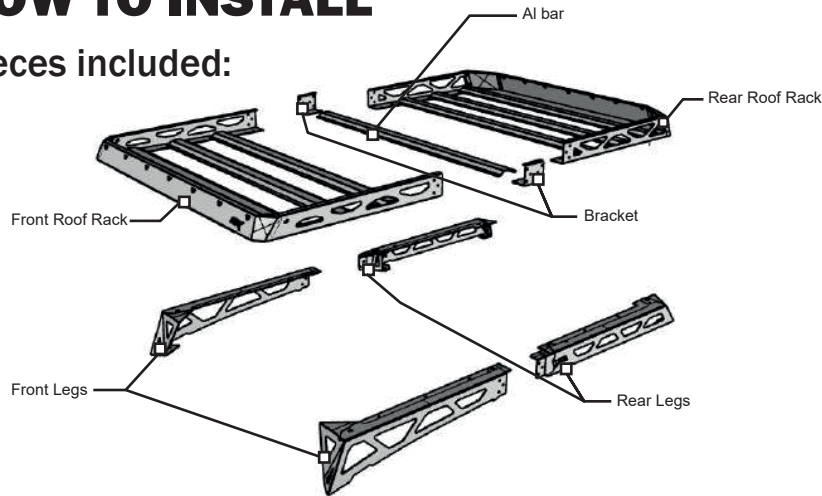
## FOR PURCHASING AT AFX MOTORSPORTS



## SPORT ROOF RACK

### HOW TO INSTALL

Pieces included:



Hardware:

(26x) 1/4" x 1/2" Bolts with nuts

- (12x) 1/4" x 1" Bolts with washers and nuts
- (28x) 1/4" x 3/4" Bolts with lock nuts
- (12x) 1/4" Flat washer

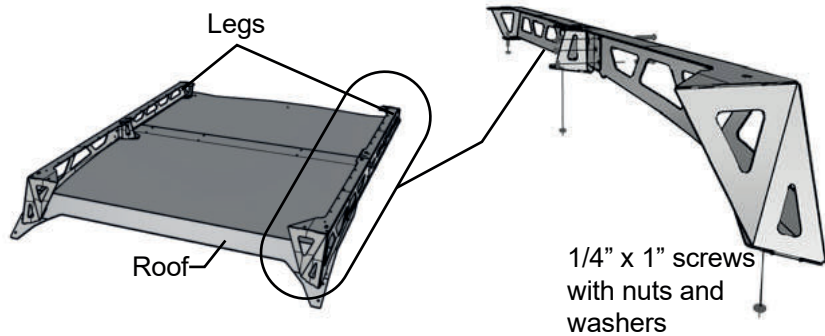
Tools needed (Not included):

- 5/32" Allen Key.
- 7/16" or 14mm Combination Wrench.

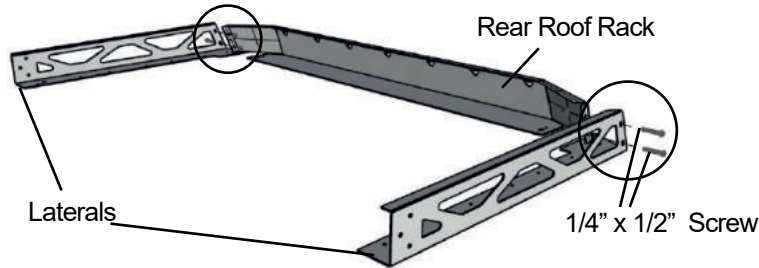
#### Liability Statement

AFX Motorsports products are designed to best fit user's ATV/UTV under stock conditions. Adding, modifying, or fabricating any factory or aftermarket parts will void any warranty provided by AFX Motorsports and is not recommended. AFX Motorsports products could interfere with other aftermarket accessories. If user has aftermarket products on machine, contact AFX Motorsports to verify that they will work together. Although AFX Motorsports has thousands of satisfied customers, user should be aware that installing bumpers, rock sliders, spare tire carriers, etc. will change the ride of machine and may increase maintenance and part wear. Operating any off-road machine while, or after, consuming alcohol and/or drugs increases risk of bodily harm or death. No warranty or representation is made as to this product's ability to protect user from severe injury or death. AFX Motorsports urges operators and occupants to wear a helmet and appropriate riding gear at all times. By purchasing and installing AFX Motorsports products, user agrees that should damages occur, AFX Motorsports will not be held responsible for loss of time, use, labor fees, replacement parts, or freight charges. AFX Motorsports, nor any 3rd party, will not be held responsible for any direct, indirect, incidental, special, or consequential damages that result from any product purchased from AFX Motorsports. The total liability of seller to user for all damages, losses, and causes of action, if any, shall not exceed the total purchase price paid for the product that gave rise to the claim. AFX Motorsports will warranty only parts provided by AFX Motorsports. Any damage or problems with OEM housings, bearings, seals, or other manufacturers' products will not be covered by AFX Motorsports. AFX Motorsports parts and products are not warranted if item was not installed properly, misused, or modified.

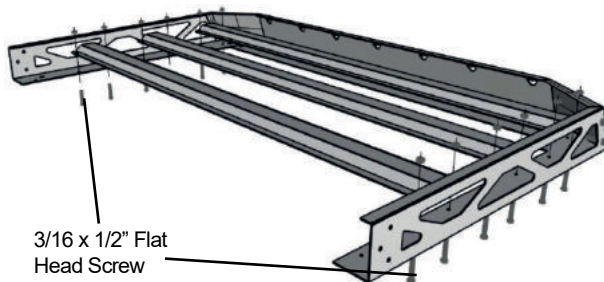
**4** Repeat steps from 1 to 3 on the driver's side. Tighten all the screws to align the legs with the roof and proceed with the rack installation. As it is shown in the image.



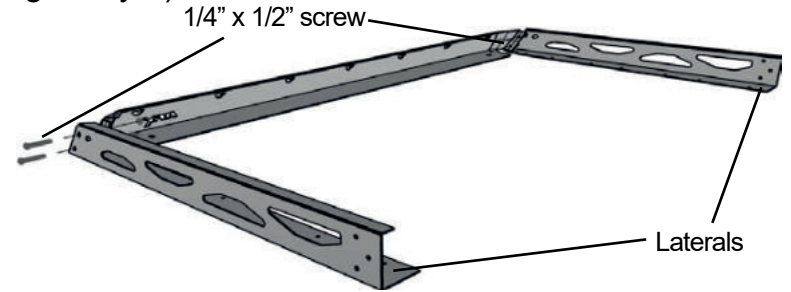
**5** Install rear frame assembly into rear side rails (as it shown in the image). Use four 1/4" x 1/2" screws with nut. (Do not tighten yet).



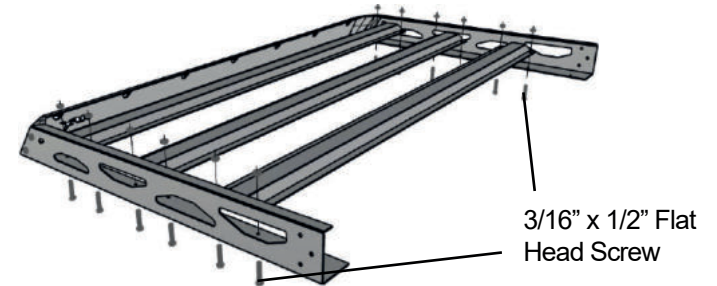
**6** Align 3 central rails with the perforations (as it shown in the image). Use twelve 1/4" x 3/4" flat head screws with nuts, inserting them bottom-up. (Do not tighten yet)



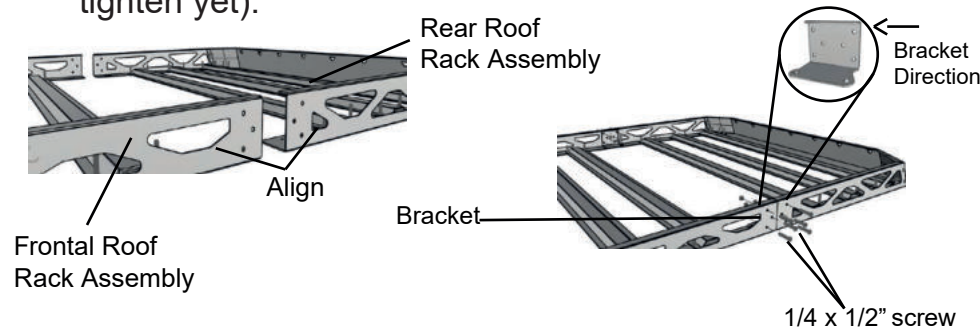
**7** Install front assembly into front rails (as it is shown in the image). Use four 1/4" x 1/2" screws with nut. (Do not tighten yet)



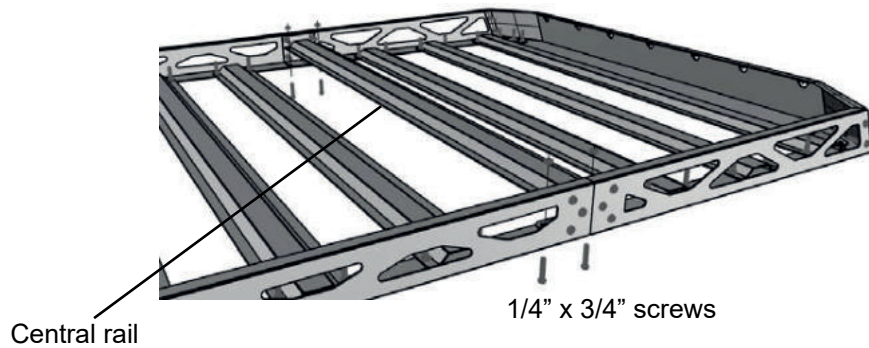
**8** Align 3 central rails with the perforations (as it is shown in the image). Use twelve 1/4" x 3/4" flat head screws with nut, inserting them bottom-up. (Do not tighten yet)



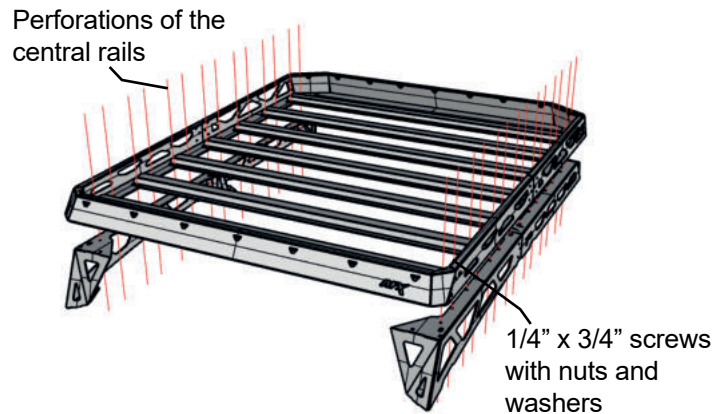
**9** Place the rear rack assembly with the front rack assembly, aligning the Bracket with the perforations (as it is shown in the image), using six 1/4" x 1/2" screws with nut. (Do not tighten yet).



- 10** Align the last central rail with the perforations of the Bracket (As it is shown in the image). Use four 1/4" x 3/4" screws with nut, inserting them bottom-up.

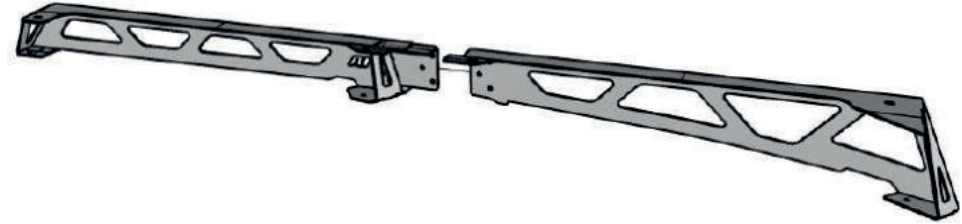


- 11** Settle the whole rack over the legs aligning with the 28 perforations of the central rails. Use eight 1/4" x 3/4" screws with nuts and washers. As it is shown in the image.

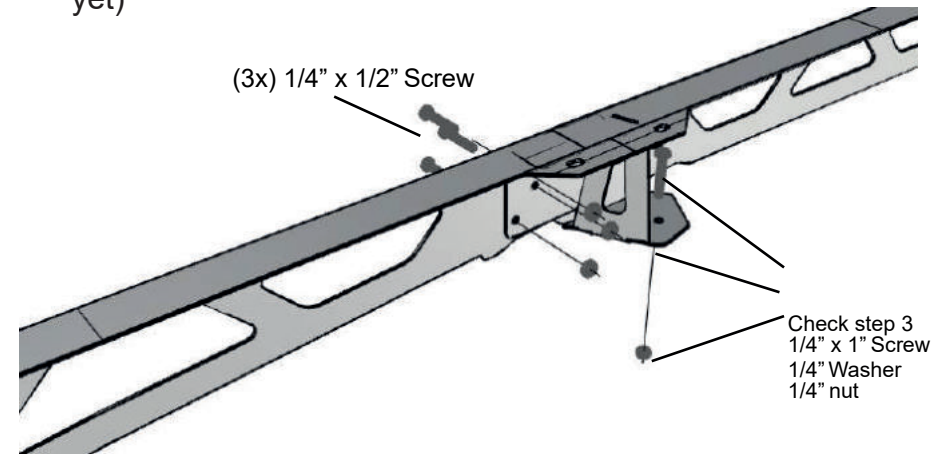


- 12** Tighten all the screws to finish with the installation.

- 1** Hold the front leg of the passenger's side aligning it with the leg at the rear from the passenger's side.



- 2** Check that the central perforations match, use three 1/4" x 1/2" screws with the nut it is shown in the image. (Do not tighten yet)



- 3** Settle the leg over the roof (only with the original roof), place a washer over the perforations as it shown in the image, using 1/4" x 1" screws. (Do not tighten yet)

