



ROOF RACK INSTALLATION MANUAL



For technical support , please write us to:
info@afxmotorsports.com or call us at:
Ph. 956-242-6521

HAVE FUN AND A SAFE RIDE!



www.afxmotorsports.com

4610 Modern Lane, Laredo, TX 78041 Ph. 956-242-6521

THIS PRODUCT IS FOR OFF ROAD USE ONLY

RZR XP 1000 4 SEATER

CAN010

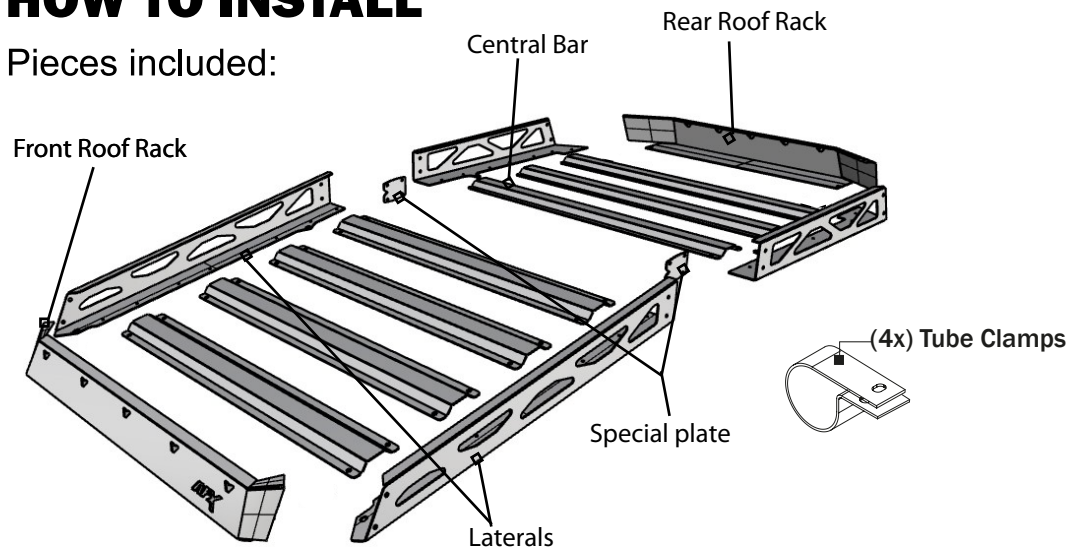
THANK YOU!
FOR PURCHASING AT AFX MOTORSPORTS



SPORT ROOF RACK

HOW TO INSTALL

Pieces included:



Hardware:

- (12x) 1/4" x 1" Bolts with washers and nuts.
- (16x) 1/4" x 1/2" Bolts with nuts.
- (28x) 3/16" x 1/2" Bolts with nuts.

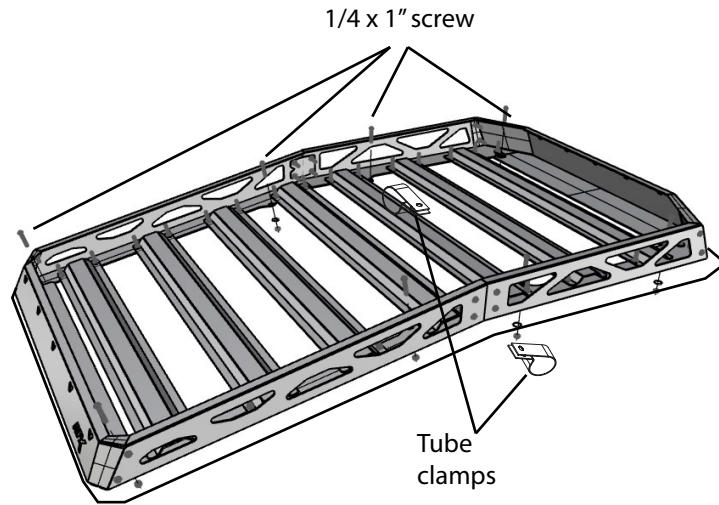
Tools needed (Not Included):

- 5/32" Allen Key.
- 7/16" Combination Wrench.

Liability Statement

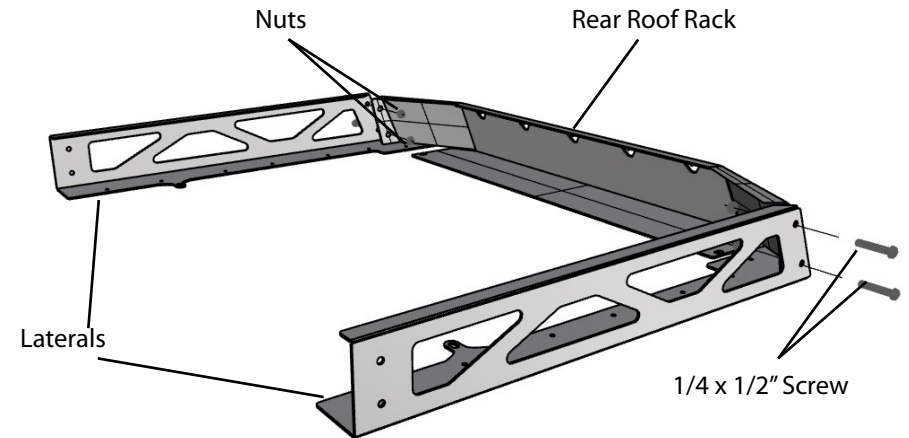
AFX Motorsports products are designed to best fit user's ATV/UTV under stock conditions. Adding, modifying, or fabricating any factory or aftermarket parts will void any warranty provided by AFX Motorsports and is not recommended. AFX Motorsports products could interfere with other aftermarket accessories. If user has aftermarket products on machine, contact AFX Motorsports to verify that they will work together. Although AFX Motorsports has thousands of satisfied customers, user should be aware that installing bumpers, rock sliders, spare tire carriers, etc. will change the ride of machine and may increase maintenance and part wear. Operating any off-road machine while, or after, consuming alcohol and/or drugs increases risk of bodily harm or death. No warranty or representation is made as to this product's ability to protect user from severe injury or death. AFX Motorsports urges operators and occupants to wear a helmet and appropriate riding gear at all times. By purchasing and installing AFX Motorsports products, user agrees that should damages occur, AFX Motorsports will not be held responsible for loss of time, use, labor fees, replacement parts, or freight charges. AFX Motorsports, nor any 3rd party, will not be held responsible for any direct, indirect, incidental, special, or consequential damages that result from any product purchased from AFX Motorsports. The total liability of seller to user for all damages, losses, and causes of action, if any, shall not exceed the total purchase price paid for the product that gave rise to the claim. AFX Motorsports will warranty only parts provided by AFX Motorsports. Any damage or problems with OEM housings, bearings, seals, or other manufacturers' products will not be covered by AFX Motorsports. AFX Motorsports parts and products are not warranted if item was not installed properly, misused, or modified.

- 7** Settle the complete rack over the roof aligning the perforations. Use eight 1/4 x 1" screws with nut and washer and two tube clamps (as it shown in the image).

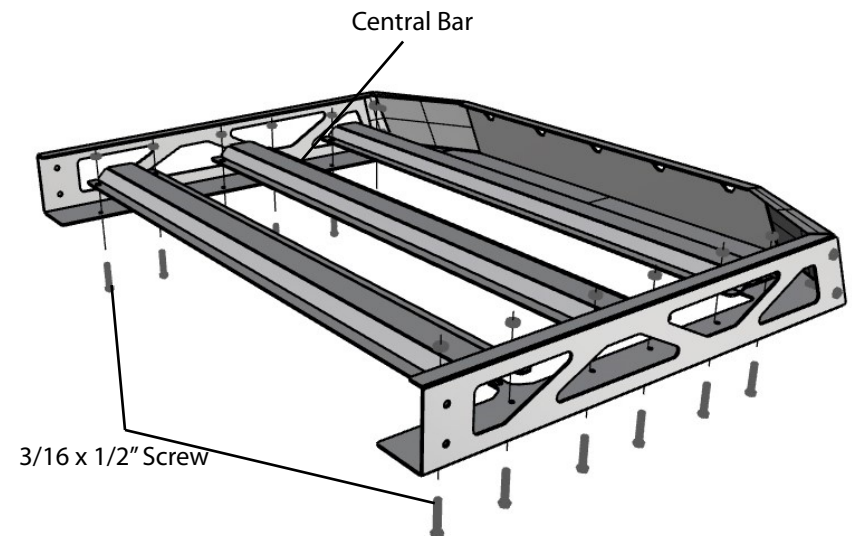


* For safety tighten all the screws.
Now you have completed the installation.

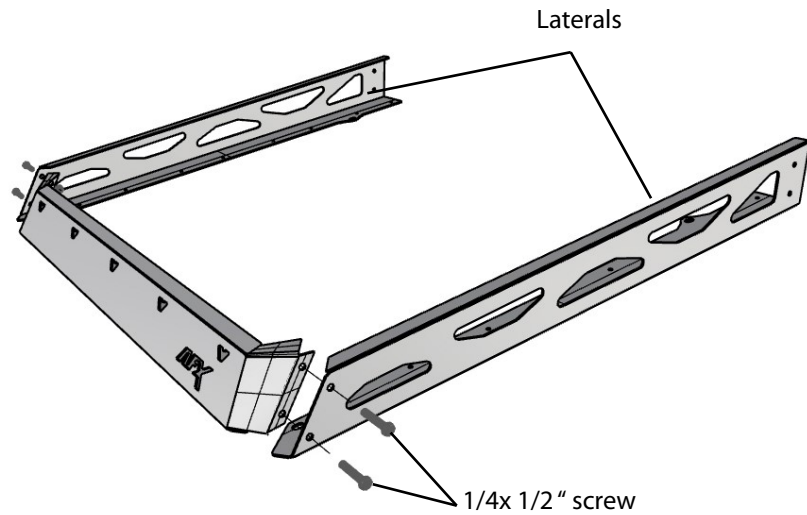
- 1** Place the upper corner with the lateral (as it is shown in the image). Use four 1/4x 1/2" screws with nut. (Do not tighten yet).



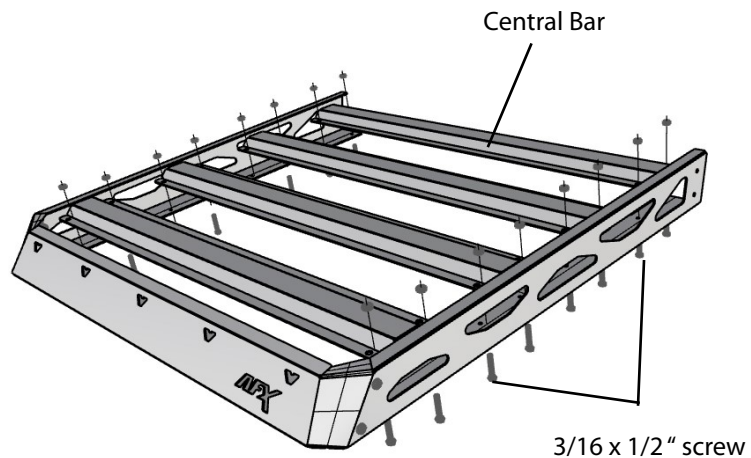
- 2** Align 3 central bars with the perforations (as it is shown in the image). Use twelve 3/16 x 1/2" screws with nut, inserting them bottom-up. (Do not tighten yet)



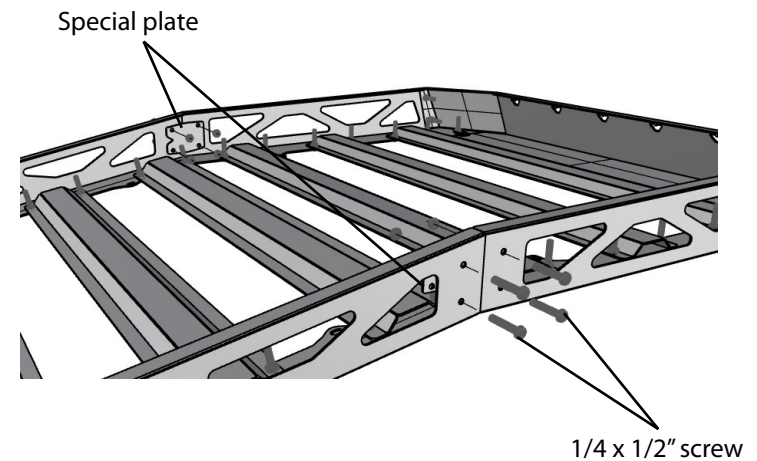
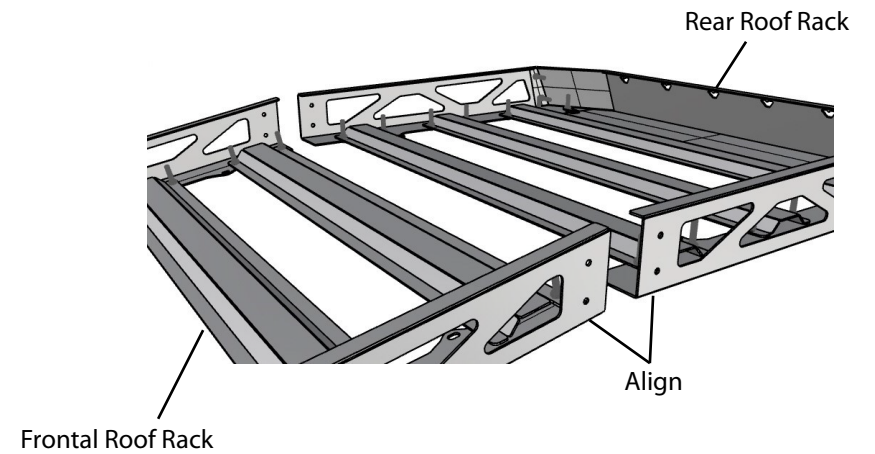
- 3** Place the frontal corner with the lateral (as it is shown in the image). Use four 1/4 x 1/2" screws with nut (Do not tighten yet).



- 4** Align 4 central bars with the perforations (as it is shown in the image). Use sixteen 3/16 x 1/2" screws with nut, inserting them bottom-up. (Do not tighten yet).



- 5** Place the rear rack with the front rack, aligning the "C" hardware with the perforations (as it is shown in the image), using eight 1/4 x 1/2" screws with nut. (Do not tighten yet).



- 6** Tighten all the screws.