



STEEL FRONT BUMPER INSTALLATION MANUAL



For technical support , please write us to:
info@afxmotorsports.com or call us at:
Ph. 956-242-6521

HAVE FUN AND A SAFE RIDE!



www.afxmotorsports.com
4610 Modern Lane, Laredo, TX 78041 Ph. 956-242-6521

THIS PRODUCT IS FOR OFF ROAD USE ONLY

POLARIS RANGER CREW XP 1000 2019-2021

CAN030

THANK YOU!

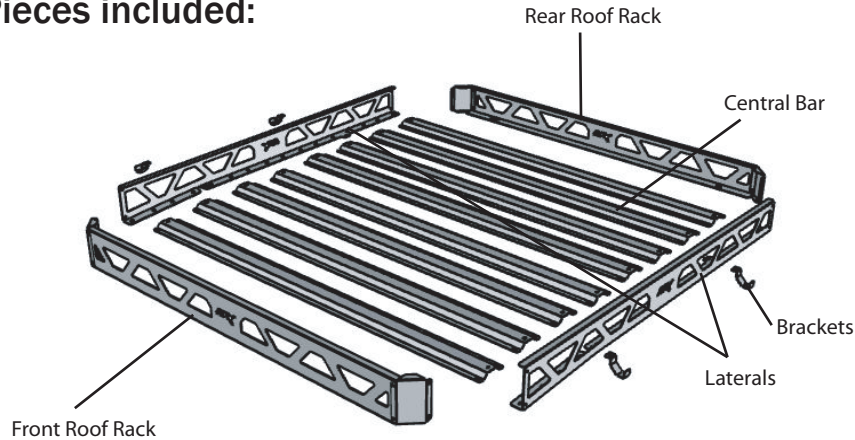
FOR PURCHASING AT AFX MOTORSPORTS



(NOMBRE DEL PRODUCTO)

HOW TO INSTALL

Pieces included:



Hardware:

- (12x) 1/4" x 1" Bolts with washers and nuts.
- (16x) 1/4" x 1/2" Bolts with nuts.
- (32x) 3/16" x 1/2" Bolts with nuts.

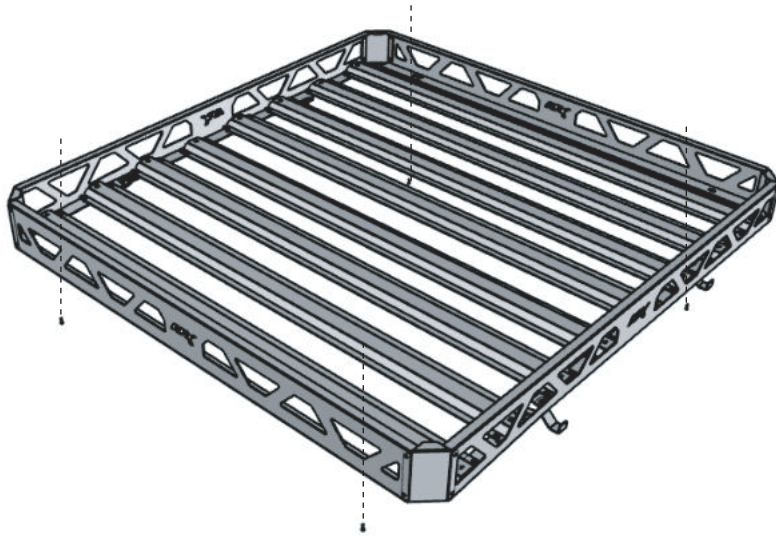
Tools needed (Not included):

- 5/32" Allen Key.
- 7/16" Combination Wrench.

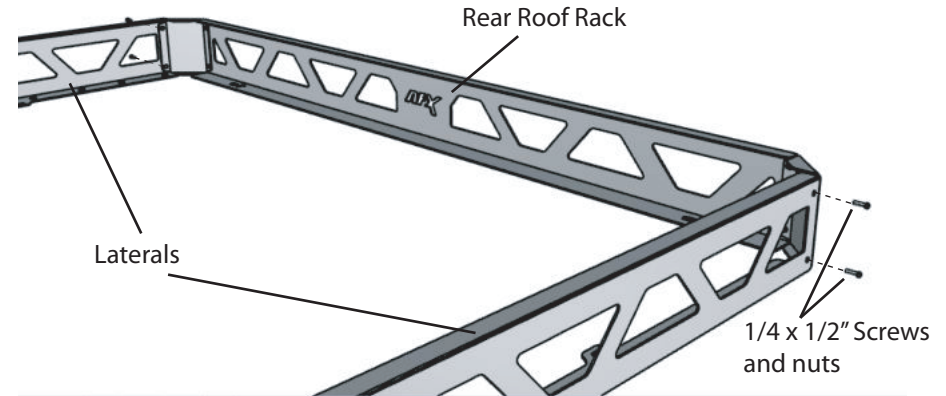
Liability Statement

AFX Motorsports products are designed to best fit user's ATV/UTV under stock conditions. Adding, modifying, or fabricating any factory or aftermarket parts will void any warranty provided by AFX Motorsports and is not recommended. AFX Motorsports products could interfere with other aftermarket accessories. If user has aftermarket products on machine, contact AFX Motorsports to verify that they will work together. Although AFX Motorsports has thousands of satisfied customers, user should be aware that installing bumpers, rock sliders, spare tire carriers, etc. will change the ride of machine and may increase maintenance and part wear. Operating any off-road machine while, or after, consuming alcohol and/or drugs increases risk of bodily harm or death. No warranty or representation is made as to this product's ability to protect user from severe injury or death. AFX Motorsports urges operators and occupants to wear a helmet and appropriate riding gear at all times. By purchasing and installing AFX Motorsports products, user agrees that should damages occur, AFX Motorsports will not be held responsible for loss of time, use, labor fees, replacement parts, or freight charges. AFX Motorsports, nor any 3rd party, will not be held responsible for any direct, indirect, incidental, special, or consequential damages that result from any product purchased from AFX Motorsports. The total liability of seller to user for all damages, losses, and causes of action, if any, shall not exceed the total purchase price paid for the product that gave rise to the claim. AFX Motorsports will warranty only parts provided by AFX Motorsports. Any damage or problems with OEM housings, bearings, seals, or other manufacturers' products will not be covered by AFX Motorsports. AFX Motorsports parts and products are not warranted if item was not installed properly, misused, or modified.

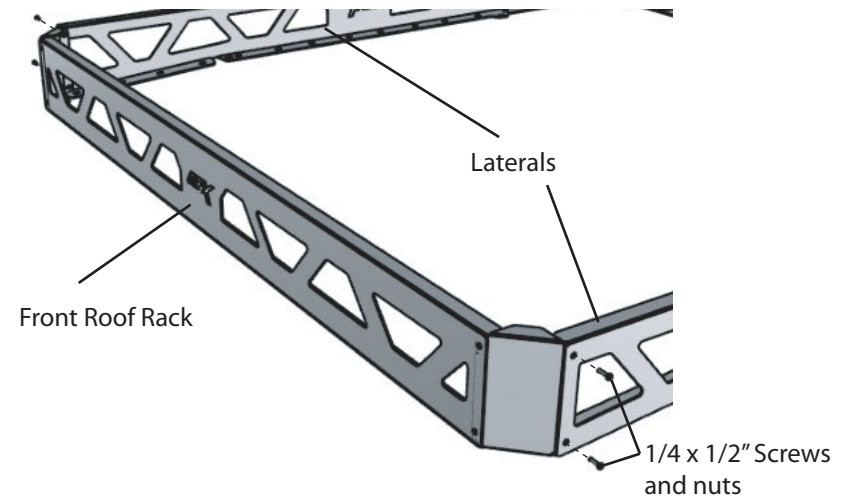
7 Use four 1/4 x 1" screws with nut and washer, inserting them bottom-up guiding yourself by the hardware of the roof until you get to the roof rack. (as it shown in the image).



1 Install rear frame assembly into rear side rails (as it is shown in the image). Use four 1/4x 1/2" screws with nut. (Do not tighten yet).

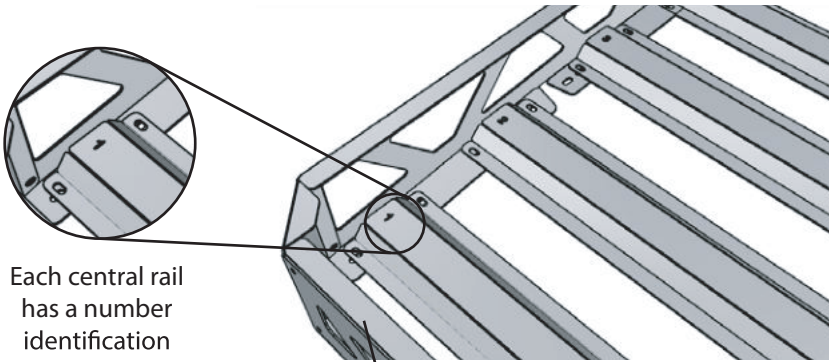


2 Install the front frame assembly into front side rails (as it is shown in the image). Use four 1/4 x 1/2" screws with nuts (Do not tighten yet).



* For safety tighten all the screws.
Now you have completed the installation.

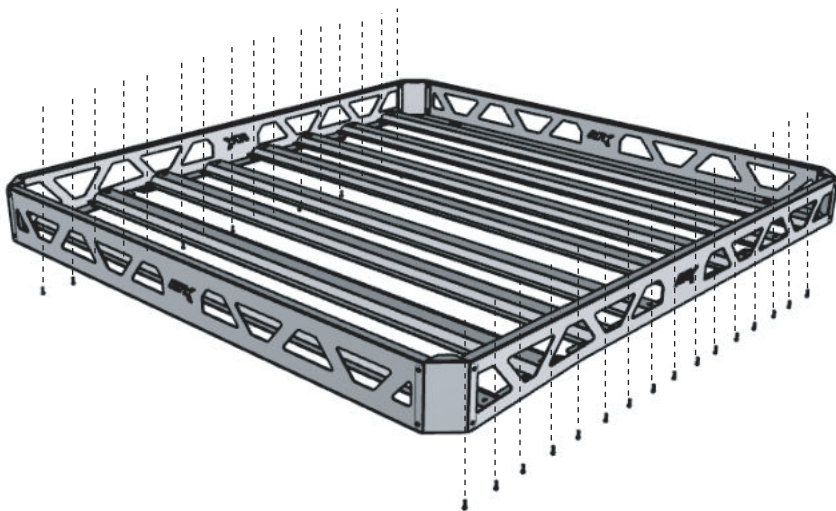
3 Place the 8 central rails upward the front roof rack (as it is shown in the image).



Each central rail has a number identification

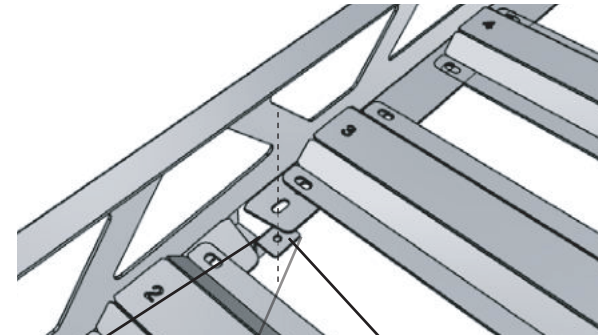
Front Roof Rack

4 Align the 8 central rails with the perforations (as it is shown in the image). Use thirty-two 3/16 x 1/2" screws with nut, inserting them bottom-up. (Do not tighten yet).

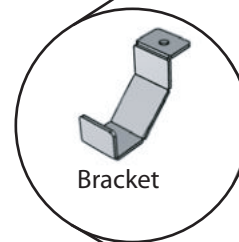


5 Tighten all the screws.

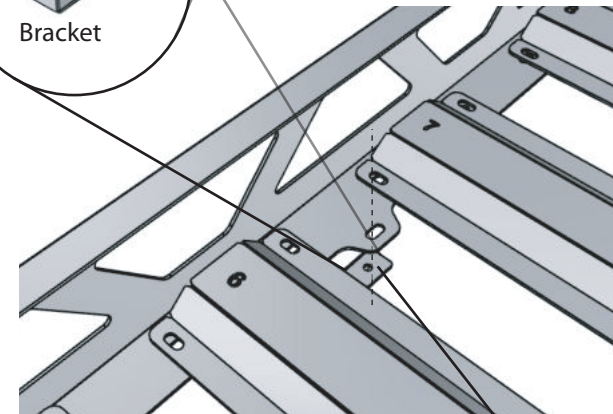
6 Settle the complete rack over the roof aligning with the front perforations as it shown in the image). Use two 1/4 x 1" screws with nut and wahser, inserting them bottom-up guiding yourself by the hardware of the roof until you get to the roof rack.



Front Bracket



Bracket



Rear Bracket