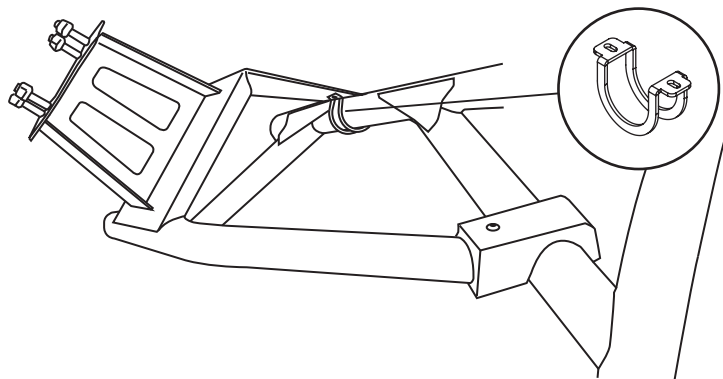


- 4** Fasten the upper part of the spare tire carrier using the provided 2" Tube Brace and install it on the tube of the upper part of the car's structure. Use the perforations provided on the Spare tire carrier and two 1/4" x 1" bolts with washers and nuts (Included).



- 5** Finish by aligning the Spare Tire Carrier and then tighten the bolts.

For technical support , please write us to:  
info@afxmotorsports.com or call us at:  
Ph. 956-242-6521

**HAVE FUN AND A SAFE RIDE!**



www.afxmotorsports.com

4610 Modern Lane, Laredo, TX 78041 Ph. 956-242-6521

**THIS PRODUCT IS FOR OFF ROAD USE ONLY**

## **SPARE TIRE CARRIER UPPER LEVEL INSTALLATION MANUAL**



## **CAN AM MAVERICK 2-4 SEATER**

# **POR011**

# THANK YOU!

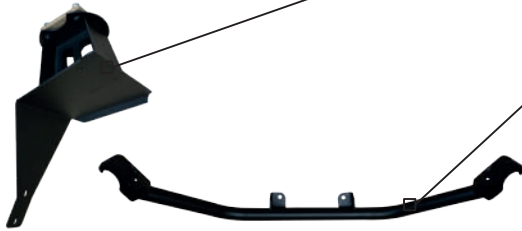
## FOR PURCHASING AT AFX MOTORSPORTS



### SPARE TIRE CARRIER UPPER LEVEL FOR CAN AM MAVERICK 2-4 SEATER

#### HOW TO INSTALL

Pieces included:

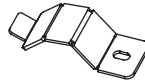


■ Spare Tire Carrier.

■ Roll Cage Support



■ Tube Brace.



■ (2x) Clamp

Hardware:

- (2x) 1/4" x 1" Bolts with washers and nuts.
- (2x) 1/4" x 2" Bolts with washers and nuts.
- (2x) 3/8" x 1" Bolts with nuts.

Tools needed (Not Included):

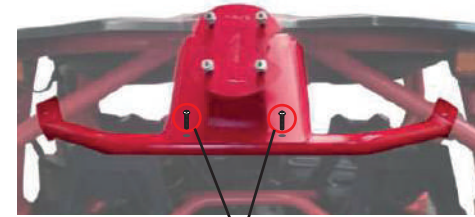
- 7/32" Allen Key.
- 9/16" or 14 mm Combination Wrench.

#### Liability Statement

AFX Motorsports products are designed to best fit user's ATV/UTV under stock conditions. Adding, modifying, or fabricating any factory or aftermarket parts will void any warranty provided by AFX Motorsports and is not recommended. AFX Motorsports products could interfere with other aftermarket accessories. If user has aftermarket products on machine, contact AFX Motorsports to verify that they will work together. Although AFX Motorsports has thousands of satisfied customers, user should be aware that installing bumpers, rock sliders, spare tire carriers, etc. will change the ride of machine and may increase maintenance and part wear. Operating any off-road machine while, or after, consuming alcohol and/or drugs increases risk of bodily harm or death. No warranty or representation is made as to this product's ability to protect user from severe injury or death. AFX Motorsports urges operators and occupants to wear a helmet and appropriate riding gear at all times. By purchasing and installing AFX Motorsports products, user agrees that should damages occur, AFX Motorsports will not be held responsible for loss of time, use, labor fees, replacement parts, or freight charges. AFX Motorsports, nor any 3rd party, will not be held responsible for any direct, indirect, incidental, special, or consequential damages that result from any product purchased from AFX Motorsports. The total liability of seller to user for all damages, losses, and causes of action, if any, shall not exceed the total purchase price paid for the product that gave rise to the claim. AFX Motorsports will warranty only parts provided by AFX Motorsports. Any damage or problems with OEM housings, bearings, seals, or other manufacturers' products will not be covered by AFX Motorsports. AFX Motorsports parts and products are not warranted if item was not installed properly, misused, or modified.

1

Align the "roll cage support" with the bottom perforations of the Spare Tire Carrier using two 3/8" x 1" screws and nuts (as it is shown in the image). Do not tighten yet.



3/8" x 1" screws and nuts

2

Place the Spare Tire Carrier setting it on the tubular structure of the vehicle



3

Install the metallic insert into the clamps, using the slots provided in the clamps. Use a 1/4" x 2" screw with washer and nut for each side (Included). Do not tighten yet.

