

10 Tighten all the hardware

11 Place the Spare tire over the spare tire carrier and secure with 3 wheel nut lugs.



SPARE TIRE CARRIER INSTALLATION MANUAL

For technical support , please write us to:
info@afxmotorsports.com or call us at:
Ph. 956-242-6521

HAVE FUN AND A SAFE RIDE!



www.afxmotorsports.com
4610 Modern Lane, Laredo, TX 78041 Ph. 956-242-6521

THIS PRODUCT IS FOR OFF ROAD USE ONLY

POLARIS RZR TURBO R

POR013



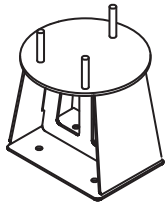
THANK YOU!

FOR PURCHASING AT AFX MOTORSPORTS

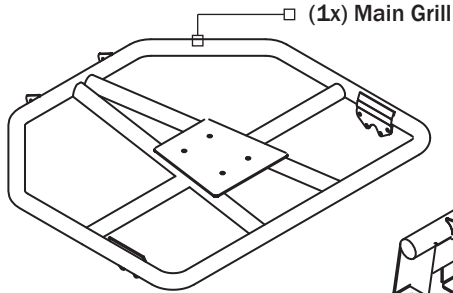


HOW TO INSTALL

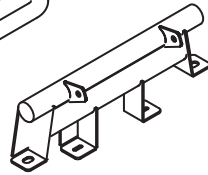
Pieces included:



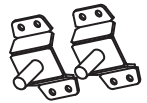
(1x) Spare Tire Carrier



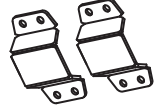
(1x) Main Grill



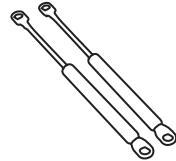
(1x) Support bracket



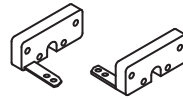
(2x) Male clamp



(2x) Female Clamp



(2x) Hydraulic piston



(1x) Left Lock
(1x) Right Lock

- (10x) 3/8" x 1" Bolt
- (10x) 3/8" Lock nut
- (10x) 3/8" Flat Washer
- (8x) 5/16" x 1" Bolt
- (8x) 5/16" Lock Nut

- (2x) 6mm x 50mm
- (2x) 1/4" Flat washer
- (8x) 1/4" x 1-1/2" Bolt
- (8x) 1/4" Lock Nut

Tools needed (Not Included):

- Screwdriver
- Torx Key Set (T30, T25, T40)
- 5/32" Allen Key.
- 7/16" Combination Wrench.

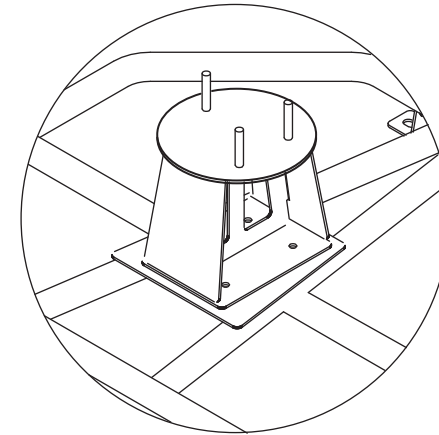
***During the installation do not fully tighten the bolts and nut. Tighten all the hardware until the end of the installation.**

Liability Statement

AF1 Motorsports products are designed to best fit user's ATV/UTV under stock conditions. Adding, modifying, or fabricating any factory or aftermarket parts will void any warranty provided by AF1 Motorsports and is not recommended. AF1 Motorsports products could interfere with other aftermarket accessories. If user has aftermarket products on machine, contact AF1 Motorsports to verify that they will work together. Although AF1 Motorsports has thousands of satisfied customers, user should be aware that installing bumpers, rock sliders, spare tire carriers, etc. will change the ride of machine and may increase maintenance and part wear. Operating any off-road machine while, or after, consuming alcohol and/or drugs increases risk of bodily harm or death. No warranty or representation is made as to this product's ability to protect user from severe injury or death. AF1 Motorsports urges operators and occupants to wear a helmet and appropriate riding gear at all times. By purchasing and installing AF1 Motorsports products, user agrees that should damages occur, AF1 Motorsports will not be held responsible for loss of time, use, labor fees, replacement parts, or freight charges. AF1 Motorsports, nor any 3rd party, will not be held responsible for any direct, indirect, incidental, special, or consequential damages that result from any product purchased from AF1 Motorsports. The total liability of seller to user for all damages, losses, and causes of action, if any, shall not exceed the total purchase price paid for the product that gave rise to the claim. AF1 Motorsports will warranty only parts provided by AF1 Motorsports. Any damage or problems with OEM housings, bearings, seals, or other manufacturers' products will not be covered by AF1 Motorsports. AF1 Motorsports parts and products are not warrantied if item was not installed properly, misused, or modified.

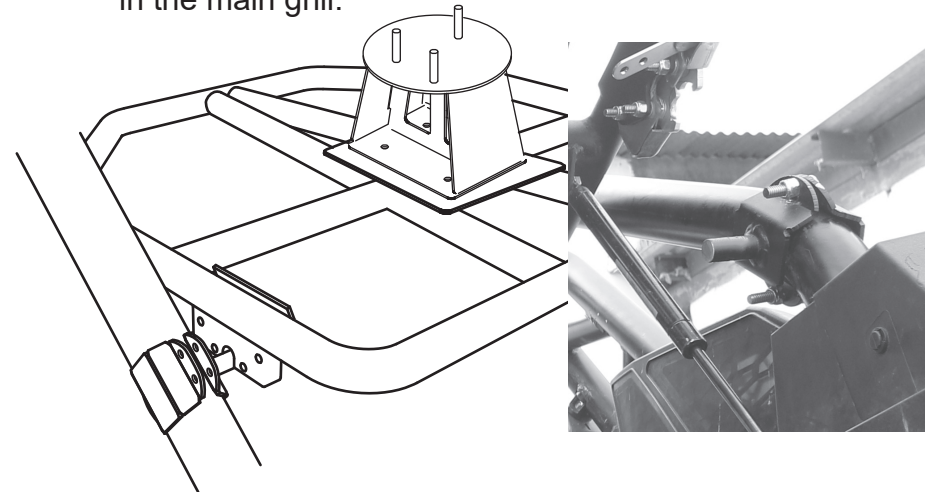
8

Place the spare tire carrier on the center of the main grill. Secure the spare tire carrier with 4 bolts and lock nuts (3/8" x 1")

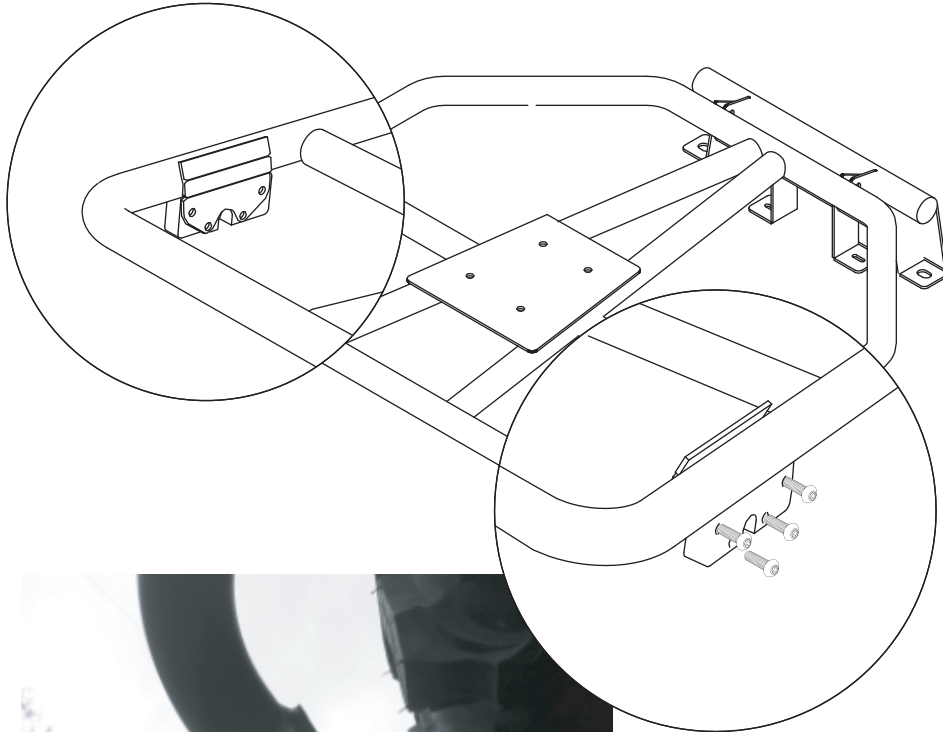


9

Place the Clamps on the Vehicle. Use 5/16" x 1" bolts and lock nuts. Make sure the clamp aligns to the lock in the main grill.



- 7** Attach the Left and Right Lock to the main grill.
Use 4 bolts and lock nuts for each lock (1/4" x 1-1/2")



***During the installation do not fully tighten the bolts and nut. Tighten all the hardware until the end of the installation.**

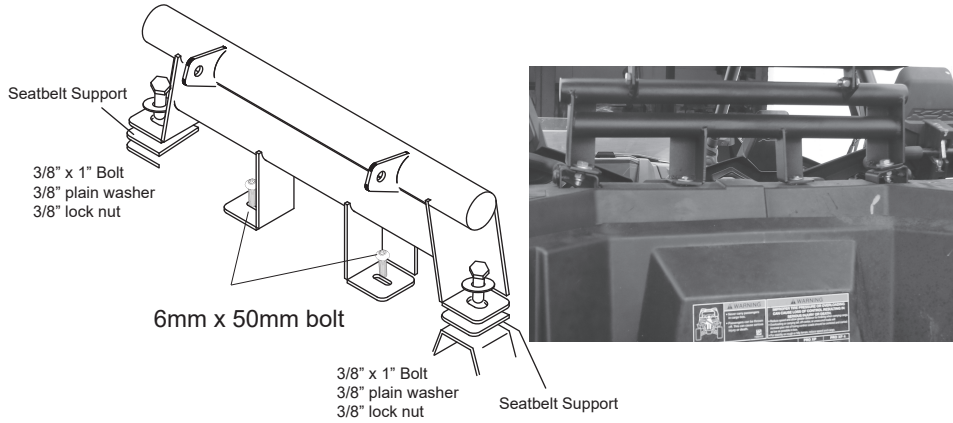
- 1** Remove both of the screws placed in the center with a torx key L.



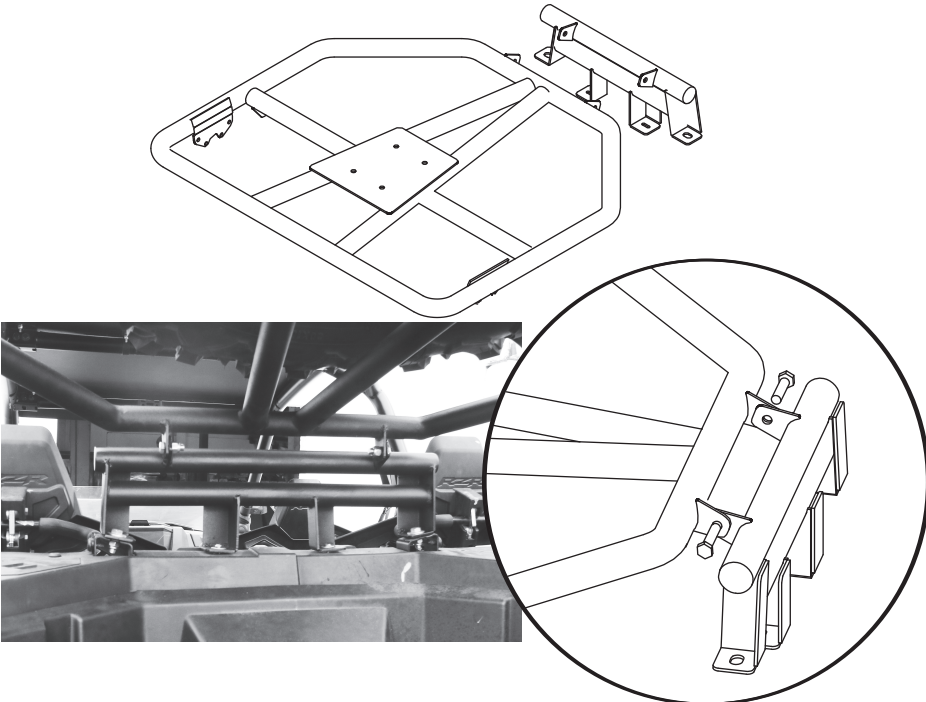
- 2** If your vehicle has a 5 point seat belt, remove the screws and bolts to attach the support bracket.



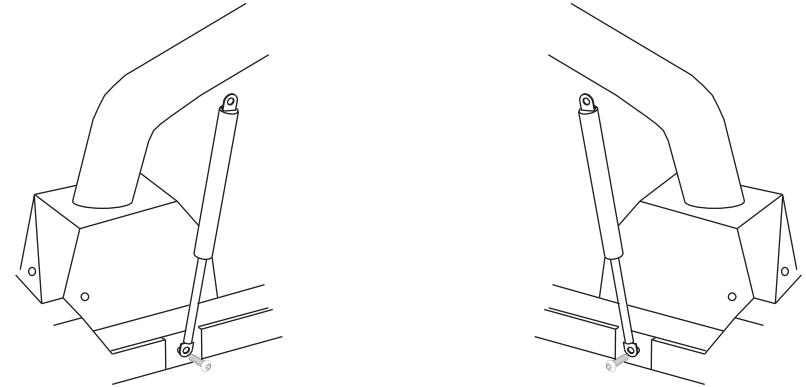
- 3** Attach the Support Bracket to your vehicle.
Use 2 bolts of 3/8" x 1" with plain washer and 2 lock nuts to attach the outside of the support bracket to the vehicle.
To secure the center of the bracket use two 6mm x 50mm bolts.



- 4** Join the support bracket to the main grill. Use two bolts with lock nuts (3/8"x1") Do not tighten the bolts completely.



- 5** Attach the hydraulic pistons to the vehicle one to each side.
Use the original bolts that come with the vehicle.



- 6** Lift the Main Grill to secure the hydraulic pistons to the main grill. Use two bolts with lock nuts (3/8"x1") Do not tighten the bolts completely.

