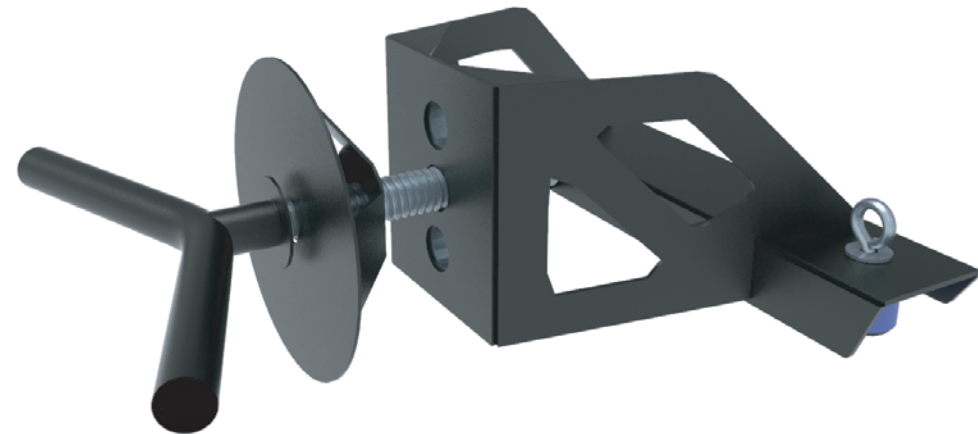




SPARE TIRE CARRIER INSTALLATION MANUAL



For technical support , please write us to:
info@afxmotorsports.com or call us at:
Ph. 956-242-6521

HAVE FUN AND A SAFE RIDE!



www.afxmotorsports.com

4610 Modern Lane, Laredo, TX 78041 Ph. 956-242-6521

THIS PRODUCT IS FOR OFF ROAD USE ONLY

POLARIS RANGER

POR038

THANK YOU!

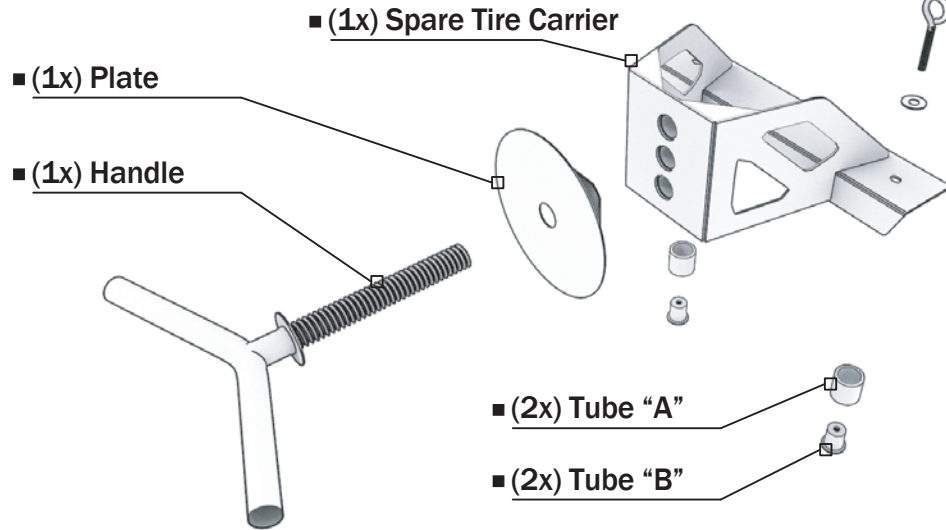
FOR PURCHASING AT AFX MOTORSPORTS



PORTALLANTAS FOR RANGER

HOW TO INSTALL

Pieces included:



Hardware:

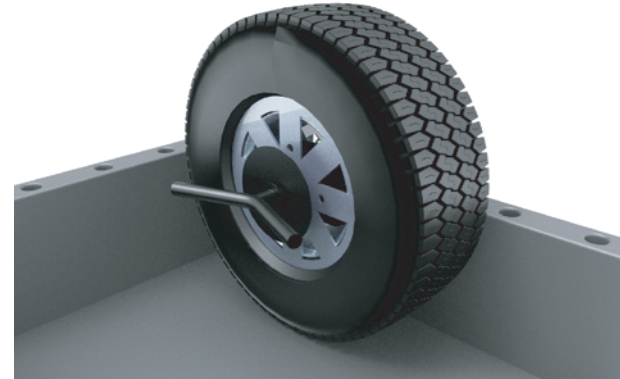
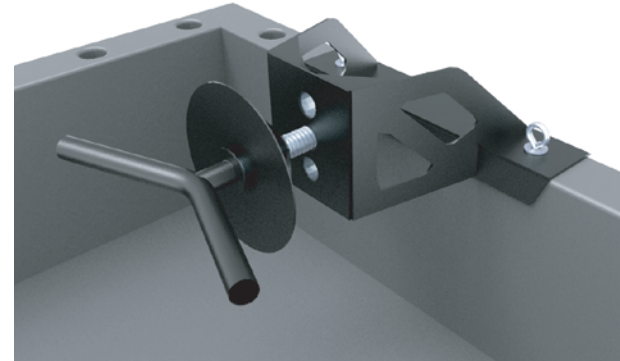
- (2x) 5/16" x 2" Screw Eye bolt
- (2x) 5/16" Lock washers

Tools needed (Not Included):

- Screwdriver

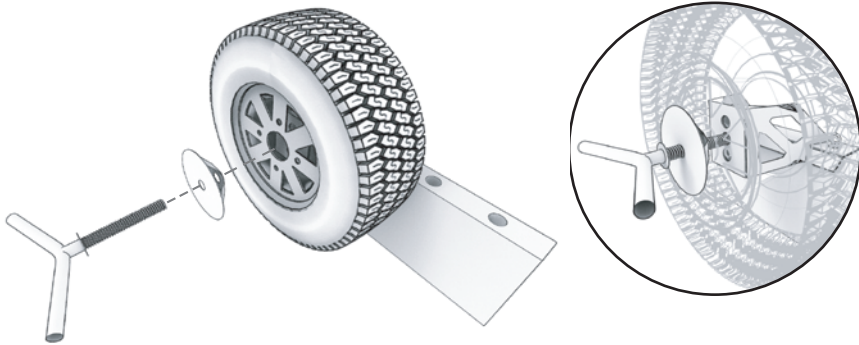
Liability Statement

AF1 Motorsports products are designed to best fit user's ATV/UTV under stock conditions. Adding, modifying, or fabricating any factory or aftermarket parts will void any warranty provided by AF1 Motorsports and is not recommended. AF1 Motorsports products could interfere with other aftermarket accessories. If user has aftermarket products on machine, contact AF1 Motorsports to verify that they will work together. Although AF1 Motorsports has thousands of satisfied customers, user should be aware that installing bumpers, rock sliders, spare tire carriers, etc. will change the ride of machine and may increase maintenance and part wear. Operating any off-road machine while, or after, consuming alcohol and/or drugs increases risk of bodily harm or death. No warranty or representation is made as to this product's ability to protect user from severe injury or death. AF1 Motorsports urges operators and occupants to wear a helmet and appropriate riding gear at all times. By purchasing and installing AF1 Motorsports products, user agrees that should damages occur, AF1 Motorsports will not be held responsible for loss of time, use, labor fees, replacement parts, or freight charges. AF1 Motorsports, nor any 3rd party, will not be held responsible for any direct, indirect, incidental, special, or consequential damages that result from any product purchased from AF1 Motorsports. The total liability of seller to user for all damages, losses, and causes of action, if any, shall not exceed the total purchase price paid for the product that gave rise to the claim. AF1 Motorsports will warranty only parts provided by AF1 Motorsports. Any damage or problems with OEM housings, bearings, seals, or other manufacturers' products will not be covered by AF1 Motorsports. AF1 Motorsports parts and products are not warrantied if item was not installed properly, misused, or modified.

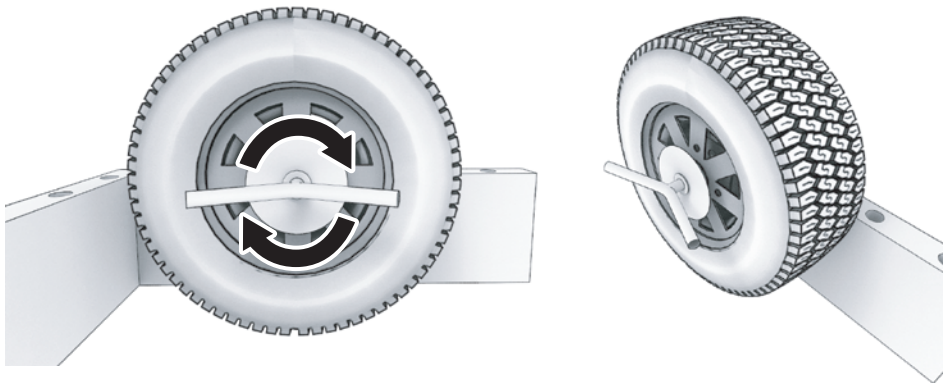


Now you have completed the installation

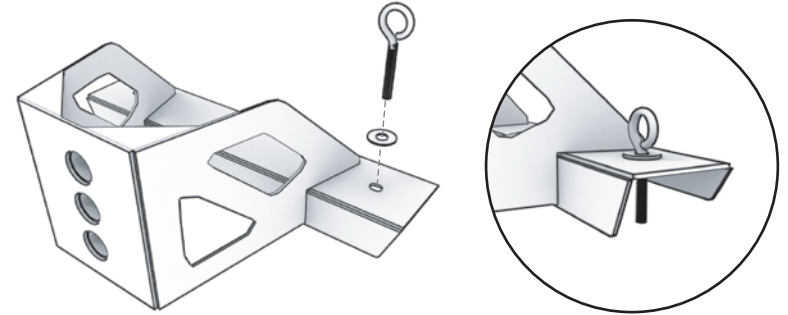
8 Put the handle into the plate and look for the perforation that aligns to your tire.



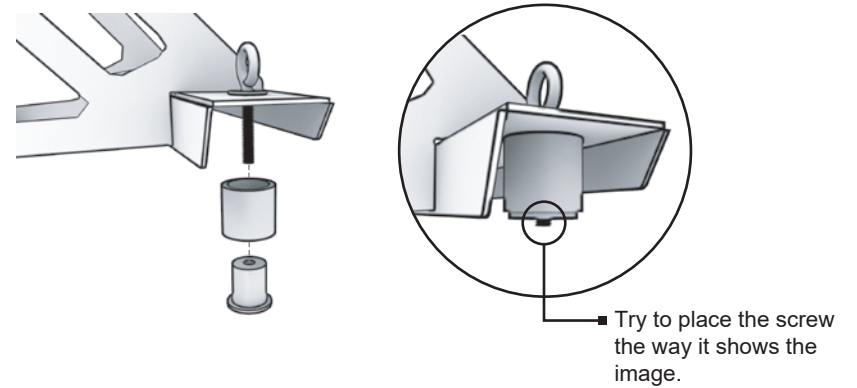
9 Tighten the handle to support your tire.



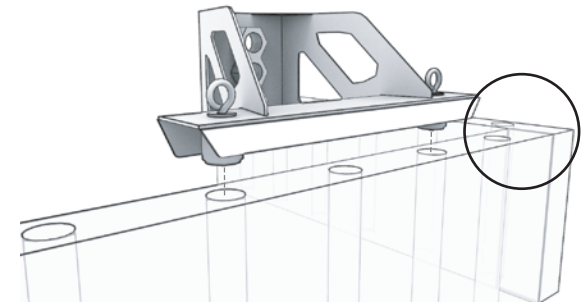
1 (Right side) Place one of the screw eye bolt on the washer and put it on the perforation of the spare tire carrier. (As shown on the image). Do the same step for the left side.



2 Take tube "A" and put the tube "B" inside of it, and Fasten **(Do not tighten the bolt yet)**.

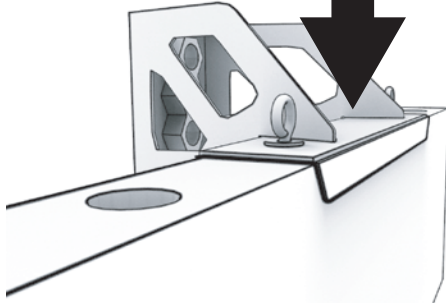


3 Align the Spare Tire Carrier with the perforations on the bed of your Ranger. Let space on both sides to put your tire.



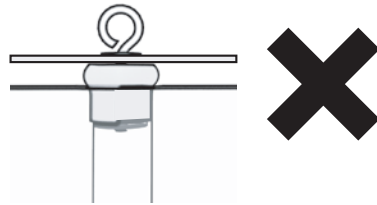
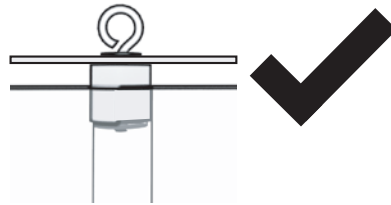
4 Push Down hard until the tube "A" is no longer visible.
(See the pictures below for more details).

**PUSH
DOWN**

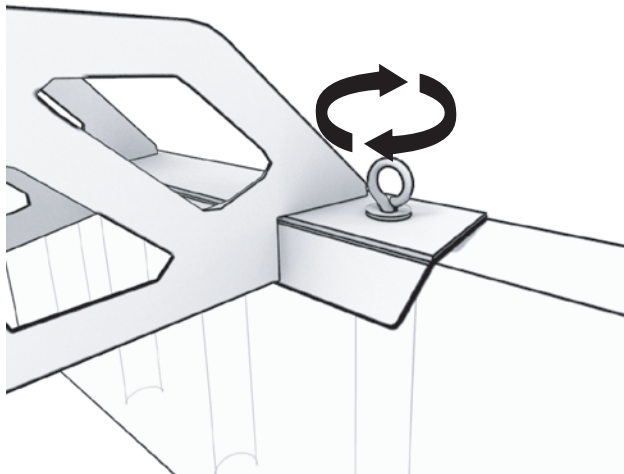


WARNING:

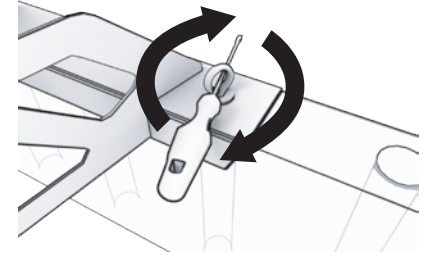
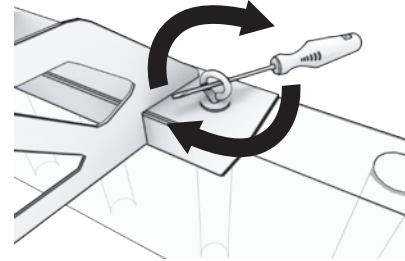
Take care for tube "A" did not collapse on the top as it shown below.



5 With your hand tighten the eye screw as far as possible.

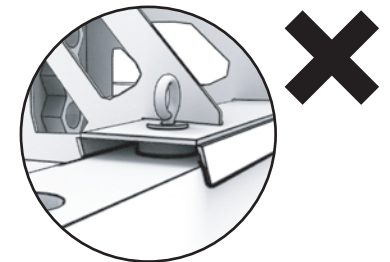
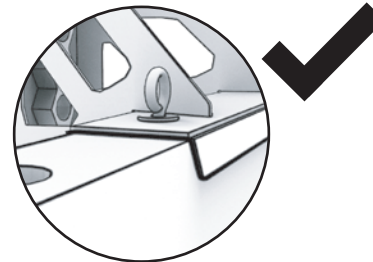


6 Use a Screwdriver to help you to tighten correctly (as shown on the images)



WARNING:

It's important that the spare tire carrier fits the way it is shown on the image below to complete the installation correctly.



7 Place your tire on the spare tire carrier.

