



## SPARE TIRE CARRIER INSTALLATION MANUAL



Now you have completed the installation.

For technical support , please write us to:  
info@afxmotorsports.com or call us at:  
Ph. 956-242-6521

**HAVE FUN AND A SAFE RIDE!**



www.afxmotorsports.com

4610 Modern Lane, Laredo, TX 78041 Ph. 956-242-6521

**THIS PRODUCT IS FOR OFF ROAD USE ONLY**

## POLARIS RZR 200 EFI

## POR040

# THANK YOU!

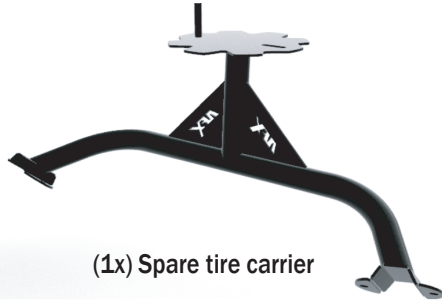
## FOR PURCHASING AT AFX MOTORSPORTS



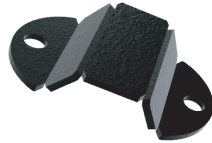
### FRONTAL RACK FOR POLARIS RANGER 2021

## HOW TO INSTALL

Pieces included:



(1x) Spare tire carrier



(2x) Clamp

Hardware:

(4x) 3/8" x 1" Screw      (2x) 10mm x 50 mm Hexagonal Screw

(4x) 3/8" Lock Nut      (2x) Deluxe screw

Tools needed (Not Included):

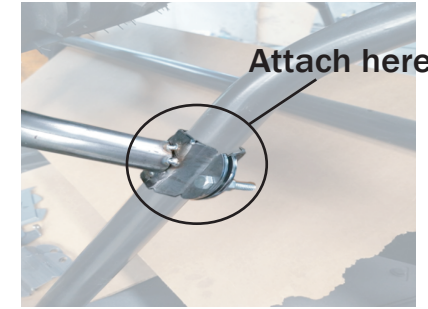
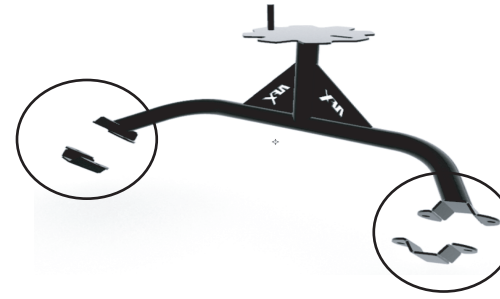
- 5/32" Allen Key
- 7/16" Combination Wrench

#### Liability Statement

AF1 Motorsports products are designed to best fit user's ATV/UTV under stock conditions. Adding, modifying, or fabricating any factory or aftermarket parts will void any warranty provided by AF1 Motorsports and is not recommended. AF1 Motorsports products could interfere with other aftermarket accessories. If user has aftermarket products on machine, contact AF1 Motorsports to verify that they will work together. Although AF1 Motorsports has thousands of satisfied customers, user should be aware that installing bumpers, rock sliders, spare tire carriers, etc. will change the ride of machine and may increase maintenance and part wear. Operating any off-road machine while, or after, consuming alcohol and/or drugs increases risk of bodily harm or death. No warranty or representation is made as to this product's ability to protect user from severe injury or death. AF1 Motorsports urges operators and occupants to wear a helmet and appropriate riding gear at all times. By purchasing and installing AF1 Motorsports products, user agrees that should damages occur, AF1 Motorsports will not be held responsible for loss of time, use, labor fees, replacement parts, or freight charges. AF1 Motorsports, nor any 3rd party, will not be held responsible for any direct, indirect, incidental, special, or consequential damages that result from any product purchased from AF1 Motorsports. The total liability of seller to user for all damages, losses, and causes of action, if any, shall not exceed the total purchase price paid for the product that gave rise to the claim. AF1 Motorsports will warranty only parts provided by AF1 Motorsports. Any damage or problems with OEM housings, bearings, seals, or other manufacturers' products will not be covered by AF1 Motorsports. AF1 Motorsports parts and products are not warranted if item was not installed properly, misused, or modified.

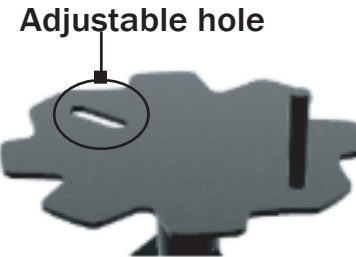
1

The spare tire carrier is placed in the rear of the vehicle, we will use the 3/8 x 1" screws to attach the clamps to the side tubes of the vehicle.



2

Use the bean hole on the top cap to fit either the front tire or the rear tire of the vehicle as they are different sizes.



3

Once joined, we place the tire on top of the spare tire carrier and screw it with the 10 mm x 50 mm millimeter screws.

Place here

