



# ROCKSLIDERS INSTALLATION MANUAL



**HAVE FUN AND A SAFE RIDE!**



[www.afxmotorsports.com](http://www.afxmotorsports.com)

4610 Modern Lane, Laredo, TX 78041 Ph. 956-242-6521

[info@afxmotorsports.com](mailto:info@afxmotorsports.com)

**THIS PRODUCT IS FOR OFF ROAD USE ONLY**

## CAN AM MAVERICK X3 MAX

# PRO032

# THANK YOU!

## FOR PURCHASING AT AFX MOTORSPORTS



### Liability Statement

AFX Motorsports products are designed to best fit user's ATV/UTV under stock conditions. Adding, modifying, or fabricating any factory or aftermarket parts will void any warranty provided by AFX Motorsports and is not recommended. AFX Motorsports products could interfere with other aftermarket accessories. If user has aftermarket products on machine, contact AFX Motorsports to verify that they will work together. Although AFX Motorsports has thousands of satisfied customers, user should be aware that installing bumpers, rock sliders, spare tire carriers, etc. will change the ride of machine and may increase maintenance and part wear. Operating any off-road machine while, or after, consuming alcohol and/or drugs increases risk of bodily harm or death. No warranty or representation is made as to this product's ability to protect user from severe injury or death. AFX Motorsports urges operators and occupants to wear a helmet and appropriate riding gear at all times. By purchasing and installing AFX Motorsports products, user agrees that should damages occur, AFX Motorsports will not be held responsible for loss of time, use, labor fees, replacement parts, or freight charges. AFX Motorsports, nor any 3rd party, will not be held responsible for any direct, indirect, incidental, special, or consequential damages that result from any product purchased from AFX Motorsports. The total liability of seller to user for all damages, losses, and causes of action, if any, shall not exceed the total purchase price paid for the product that gave rise to the claim. AFX Motorsports will warranty only parts provided by AFX Motorsports. Any damage or problems with OEM housings, bearings, seals, or other manufacturers' products will not be covered by AFX Motorsports. AFX Motorsports parts and products are not warranted if item was not installed properly, misused, or modified.

### WARNING

- This instruction sheet **MUST** be given to the purchaser.
- Read and understand these instructions before installing product.
- This product does not provide additional roll over protection.
- This product is not intended as an anchor point for pulling.
- Do not use this product if there are any signs of damage.
- For safety reasons, this kit must be installed by an Certified Technician.
- Torque wrench tightening specifications must strictly be adhered to.
- Some components may be HOT. Always wait for engine to cool down before performing work.
- Always wear EYE PROTECTION AND APPROPRIATE GLOVES when using power tools.
- Unless otherwise specified, engine must be OFF when performing any operation on the vehicle.
- Always beware of part that can move, such as wheels, transmission component, etc.

**6** Secure the central Tube with a plain washer, a lock washer and nut



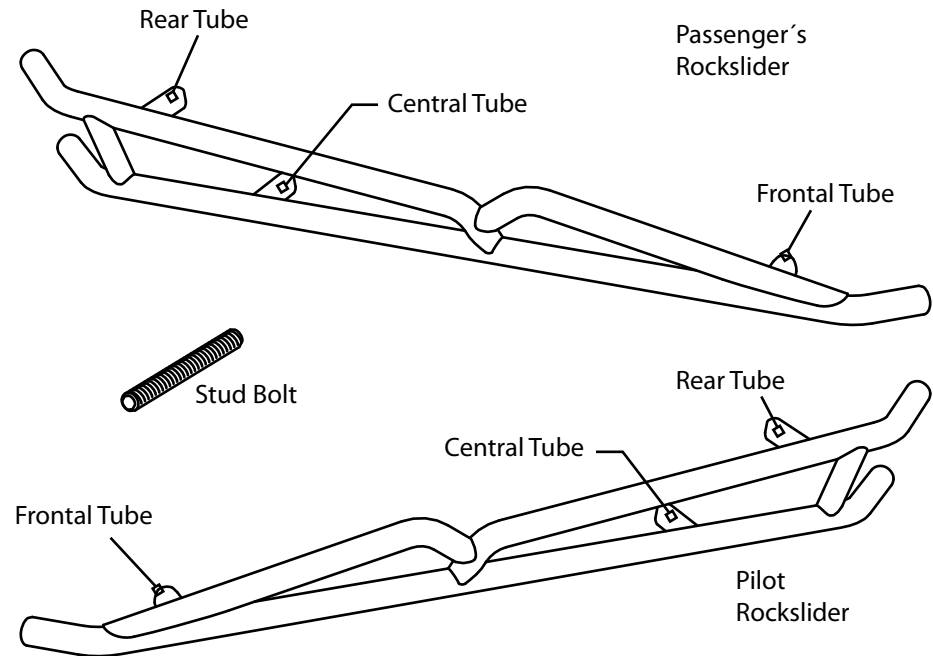
Central Tube with 3/8 x 2 1/2" screw.

**7** Repeat from Step #1 to #5 on the opposite side of the vehicle. Now you have completed the installation.

## ROCKSLIDERS CAN AM X3 MAX

### HOW TO INSTALL

Pieces included:



Hardware:

- (6x) 3/8" x 4" stud bolt
- (6x) 3/8" Pressure washer
- (6x) 3/8" Plain washer
- (6x) 3/8" Nut

Tools needed (Not Included):

- 1/4" Drill bit
- 2" Hole saw with pilot bit drill.
- Electric Drill
- 9/16" Wrench

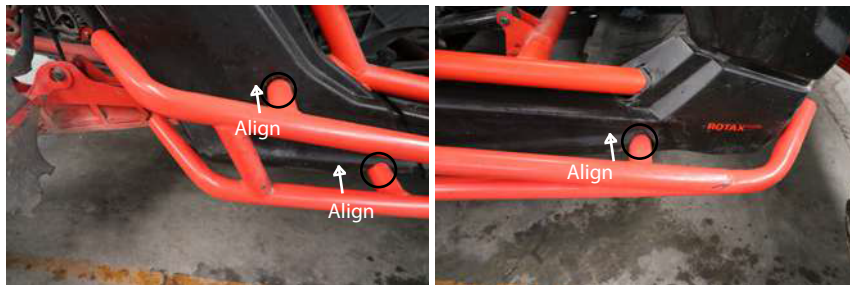
**1** Locate the dimples in the factory plastics that align with the support tubes from the Rock slider. Drill with a 1/4" drill bit.



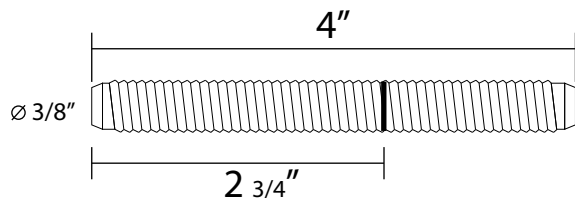
Locate the factory dimples

**2** Place and align the rockslider on the perforations that were made. Make sure the center of the perforation made on the vehicle match the center of each support tube of the rock slider.

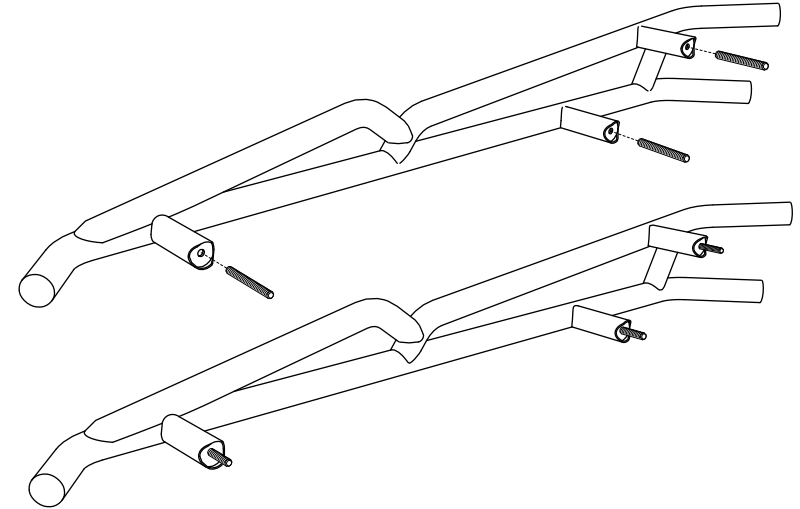
If the perforations align, use a 2" hole saw to make the perforations bigger.



**3** Measure and mark the Stud Bolt on 2 3/4".



**4** Screw 3 stud bolts on the support tubes of the Rock slider. Fasten the stud bolts until the mark made before.



**5** Insert the Rock slider on the perforations made on the factory plastics, make sure the stud bolts go trough the vehicle's chassis

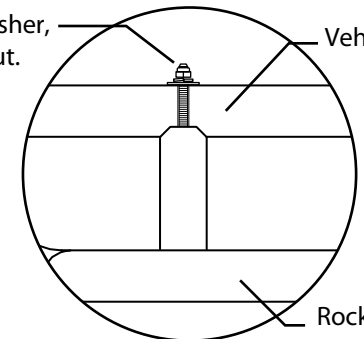


Rear Tube with 3/8 x 4" Stud Bolt

Frontal Tube with 3/8 x 4" Stud Bolt

Stud Bolt with plain washer, pressure washer and nut.

Vehicle's Chasis



Rock Slider

Secure the Rear Tube and Frontal tube of the Rock Slider with a washer, pressure washer, and nut.