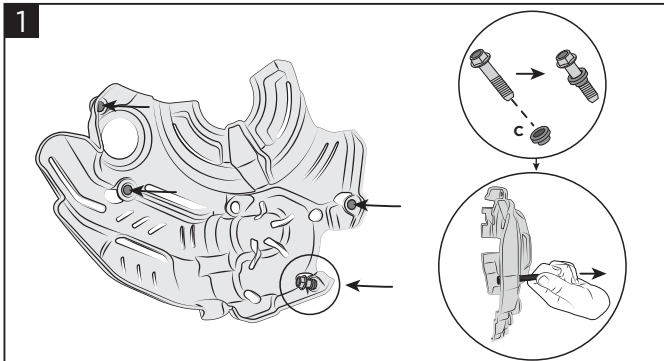
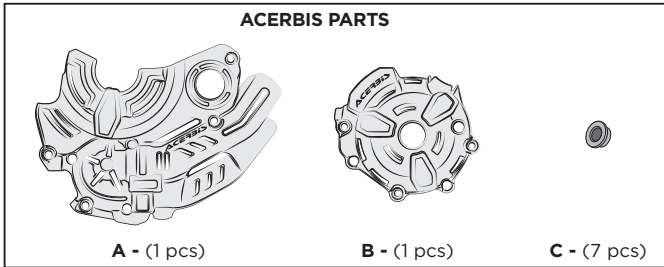


## CLUTCH/IGNITION X-POWER PROTECTION TÈNERÉ 700

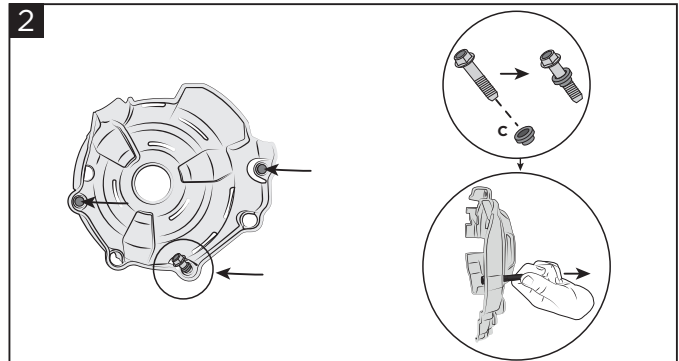
### PROTEZIONE FRIZIONE/ACCENSIONE X-POWER TÈNERÉ 700

COD. 500008623 REV.1



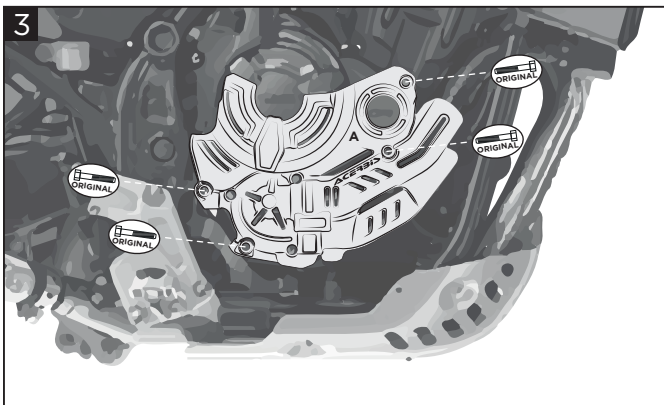
**Before assembling the X-Power (A), block the bushings (C) inside the protection. In order to ease the mounting, it is recommended to use a screw by inserting it in the bushings. Then pull the screw until the bushings are stuck in their plastic seat. Finally, remove the screw.**

Prima di montare l'X-Power (A), bloccare le boccole (C) all'interno della protezione. Per facilitare il montaggio, si consiglia di utilizzare una vite inserendola dal lato interno delle boccole stesse. Poi tirare fino ad incastrare le boccole nelle sedi della plastica ed estrarre la vite.



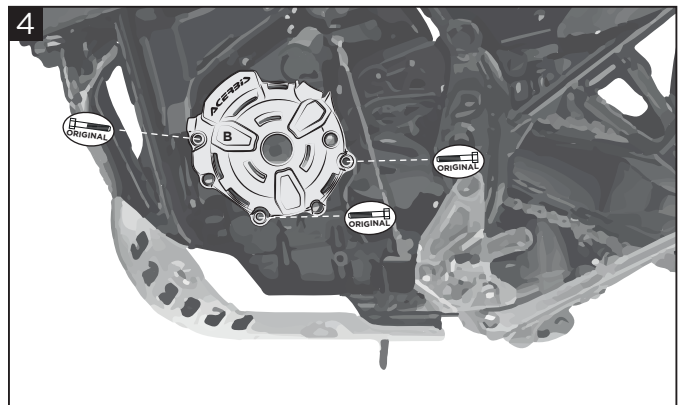
**Before assembling the X-Power (B), block the bushings (C) inside the protection. In order to ease the mounting, it is recommended to use a screw by inserting it in the bushings. Then pull the screw until the bushings are stuck in their plastic seat. Finally, remove the screw.**

Prima di montare l'X-Power (B), bloccare le boccole (C) all'interno della protezione. Per facilitare il montaggio, si consiglia di utilizzare una vite inserendola dal lato interno delle boccole stesse. Poi tirare fino ad incastrare le boccole nelle sedi della plastica ed estrarre la vite.



**Remove the four original screws and install the X-Power (A) using those screws. Closing torque as indicated on the manufacturer's bike instructions.**

Rimuovere le 4 viti originali e montare la protezione frizione X-Power (A) riutilizzando le viti per il fissaggio. Coppia di chiusura come riportato su manuale moto.



**Remove the three original screws and install the X-Power (B) using those screws. Closing torque as indicated on the manufacturer's bike instructions.**

Rimuovere le 3 viti originali e montare la protezione accensione X-Power (B) riutilizzando le viti per il fissaggio. Coppia di chiusura come riportato su manuale moto.

### WARNING!

Use Acerbis' products at your own risk. Check the safety of your device before you ride. Be sure that you follow the instructions for installing the Acerbis' products. Do not ride if there is missing or damaged hardware. If this is the case, take the item immediately back to your dealer. Make sure the throttle and other controls are free every time you ride. Not following these instructions and warnings could lead to interference with the controls, loss of control, and accidents. Acerbis recommends that installation must be done by a licensed mechanic and that only Acerbis' original parts are used during installation. Acerbis makes no guarantees or representations, express or implied, regarding the fitment of its product for any particular purpose. Acerbis makes no guarantees or representations, express or implied, regarding the extent to which its products protect individuals or property from injury or death or damage.

**EUROPE**  
ACERBIS ITALIA S.P.A.  
VIA SERIO, 37  
24021 ALBINO (BG)  
ITALY

**U.S.A.**  
ACERBIS U.S.A. INC.  
MAIL P.O. BOX 2030  
SUN VALLEY, ID 83353  
SHIP 110 LINDAY CIRCLE  
KETCHUM, ID 83340  
U.S.A.

**UNITED KINGDOM**  
ACERBIS U.K LTD  
UNIT 2 LUTON ENTERPRISE PARK  
SUNDON PARK ROAD  
LUTON, BEDFORDSHIRE LU3 3GU  
GREAT BRITAIN