

Modular Roof Rack Installation Instructions

P/N 210300: 2007+ Mercedes Sprinter, 144" Wheel Base



Before you begin:

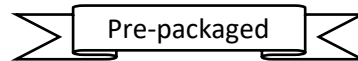
- Read all instructions carefully before beginning installation/assembly
- You must have either factory or aftermarket tracks mounted onto your roof before installing this roof rack
- Stainless steel hardware may bind together when tightening — apply the supplied anti-seize assembly lubricant to the threads of only the bolts without the nylon patch before assembly. Do not apply anti-seize to any of the #10-32 x 3/8" bolts.
- Over tightening bolts can cause the hardware to break due to excessive force. When tightening, be sure to apply only the recommended torque.
- **Studded Inserts (PN: 350484) will not be covered under warranty. Replacements can be ordered for additional cost.**
- Installation requires two or more people to install the roof rack on top of the vehicle.
- Once installed, the maximum weight capacity of the roof rack is 200 lbs per panel, or 600lbs evenly distributed. Please refer to the vehicle manufacturer's recommended maximum weight rating before operating the vehicle.

Required Tools:

- 7/16" wrench set
- ¼" Hex Screwdriver Drill (*impact driver not recommended*)

Included Hardware:

Pre-Packed Hardware Kit: 350540

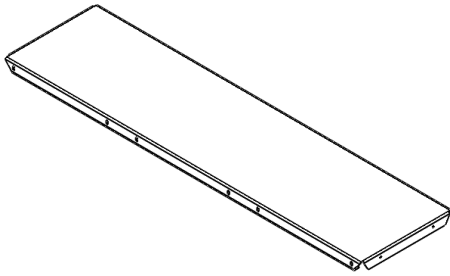


P/N	Description	Quantity
70722	Bolt, pan head torx, #10-32 x 3/8", with vibration resistant nylon patch	100
70724	Bolt, pan head torx, #10-32 x 5/8", stainless steel	4
70005	Washer, #10 ID, stainless steel	112
70723	Carriage bolt, ¼"-20 x 5/8" long, stainless steel	16
70009	¼" ID washer, 5/8" OD, stainless steel	16
70039	¼" ID washer, 1" OD, stainless steel	16
70008	¼"-20 nylon-locking nut	32
70004	#10-32 nylon-locking nut	4
70725	Torx bit tip, T25, ¼" Drive	1
70246	Anti-seize bolt lubricant packet, 2g	1

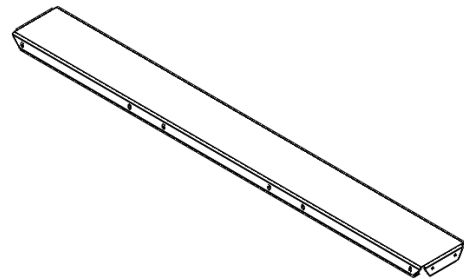
Included Replacement Bolts Package (optional usage, see end of instructions for use)

70004	#10-32 nylon-locking nut	4
70005	Washer, #10 ID, stainless steel	8
70724	Bolt, pan head torx, #10-32 x 5/8", stainless steel	4

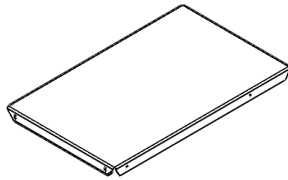
Roof Rack Parts:



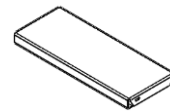
PN 301003 Floor Panel, Large – 6X



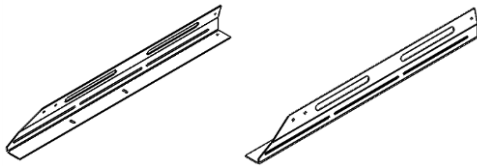
PN 301004 Floor Panel, Small – 2X



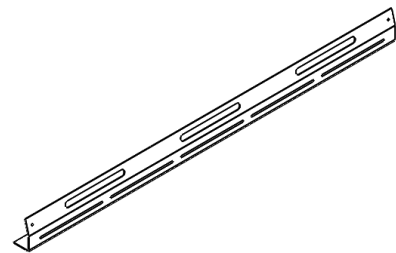
PN 301005 Vent Panel, Large – 2X



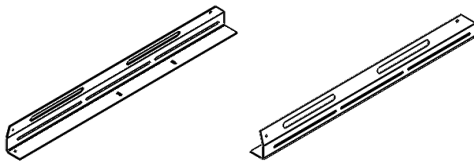
PN 301006 Vent Panel, Small – 1X



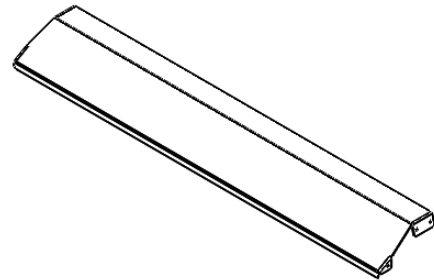
PN 301102.1/.2 Side Rail, Front – 1 EA. (2PCS)



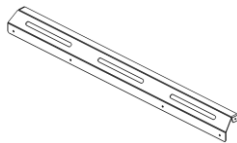
PN 301103 Side Rail, Middle – 2X



PN 301104.1/.2 Side Rail, Rear – 1 EA. (2PCS)



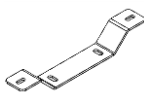
PN 301100 Air Dam – 1X



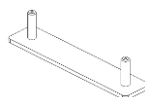
PN 301101 Back Panel – 1X



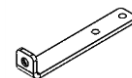
PN 301106 Side Rail, Brackets – 4X



PN 301092 Mounting Bracket – 8X



PN 350484 Studded Inserts – 8X

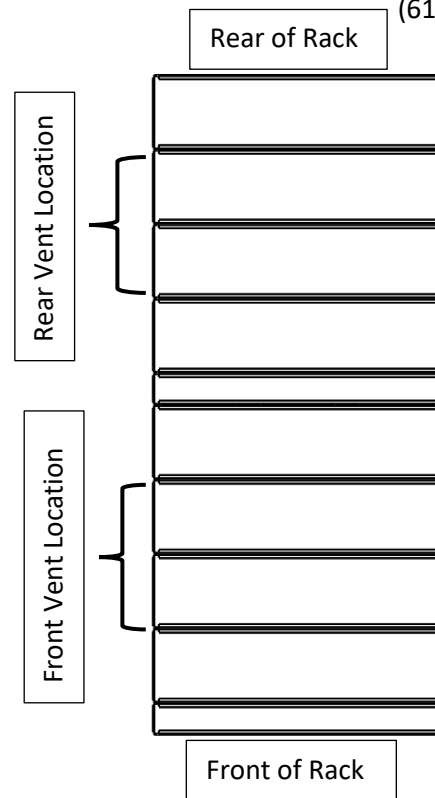
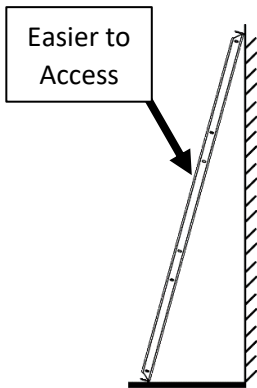


PN 350555 Air Dam Brackets – 4X

Roof Rack Assembly:

PRO TIP: Protect the powdercoating by lying down some blankets or towels before laying out the roof rack.

PRO TIP: While bolting flooring panels together, it is helpful to lean all panels against a wall rather than on the ground. Access to all fastening locations is greatly improved.



1. Determine desired vent location(s):
 - a. See Figures 1 & 2 for panel locations of front or rear vent location (1 vent included).
 - b. To install two vents, a vent replacement kit (PN 210514) is required. Replace the two large panels (PN 301003) in the specified location for the additional vent as shown in Figures 1 & 2.
 - c. To fill in the 1 provided vent, a full flooring kit (PN 210515) is required. Install the three vent panels in either of the shown locations and follow the separately provided instructions to install the full flooring kit.
2. Arrange the flooring panels into the desired configuration with the panels oriented to have access to the fastening features (flat surface down/away). Use Figures 1 & 2 as a guide. The edge of the panel with the threads should face the rear of the rack as shown in Figure 3.

Figure 1: Flooring Panel Layout
(Full Flooring shown, flat surface down)

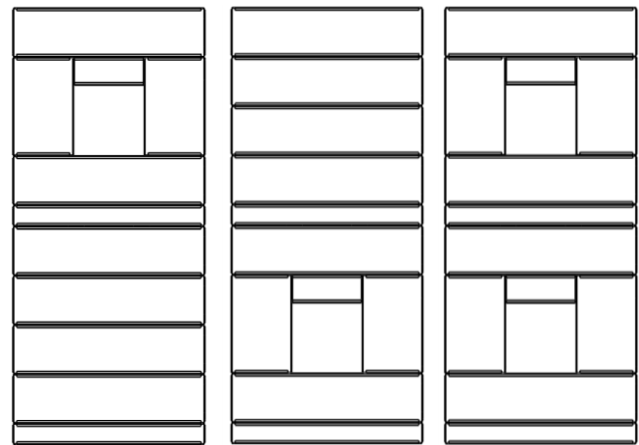


Figure 2: Examples of Floor Panel Layouts; Rear (left), Front (center), and Two Vents (right); flat surface down

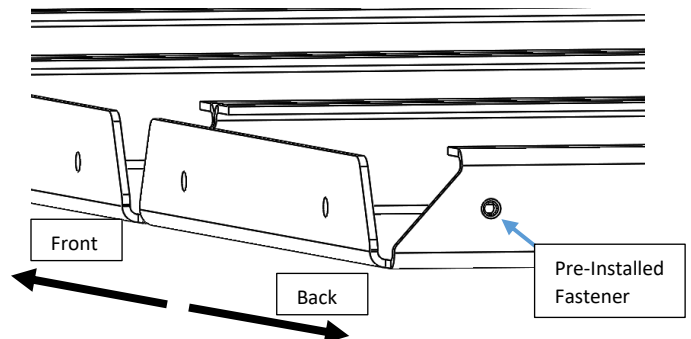


Figure 3: Close Up of Panel Orientation - Front-to-Back

3. Bolt the panels together using the provided #10-32 x 3/8" bolt and washer. While tightening, ensure panels are flush with one another. Reference Figures 4, 5, & 6 for more detailed information.

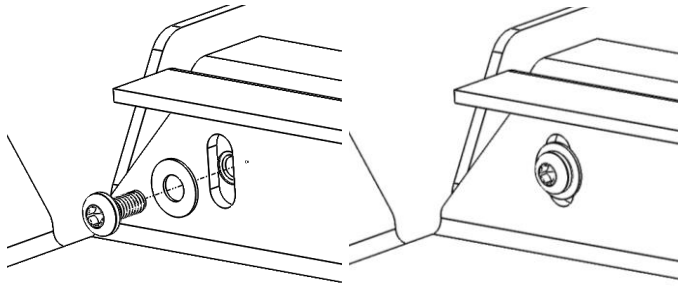


Figure 4: Example of Bolt Through Panels

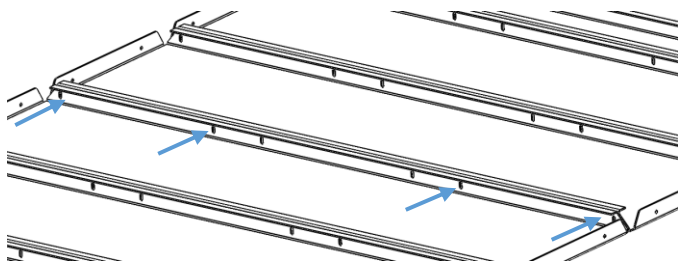


Figure 5: Bolting Panel-to-Panel

(NOTE: the inner two holes are used only with the vent kit)

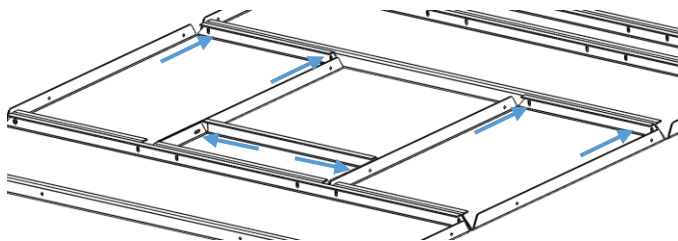


Figure 6: Bolting Vent Kit

(NOTE: the small vent panel is only used for use with Fantastic Fans)

4. Separately, assemble the driver and passenger-side rails using the side rail brackets to combine the front, middle, and rear together using #10-32 x 3/8" bolts and washers (See Figure 7 & 8). This roof rack has 2 per side.

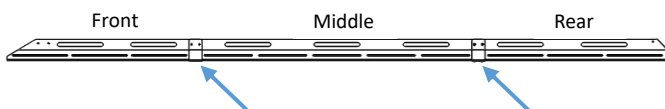


Figure 7: Side Bracket Locations

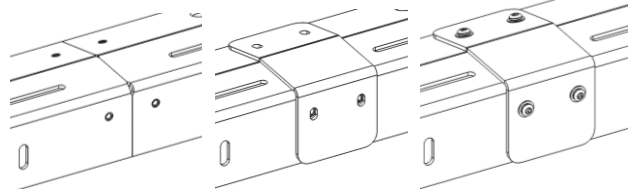


Figure 8: Side Rail Bracket Assembly

5. Install the mounting brackets onto the side rail assembly using the 1/4"-20 x 5/8" carriage bolts with anti-seize, nuts, and 5/8" OD washers as shown in Figure 9 & 10. There are 4 mounting bracket locations on each side (8 total).

PRO TIP: Leave the hardware loose until installed onto the factory rails to center the roof rack's mounting brackets. Factory rails should be approximately 52" from center-to-center.

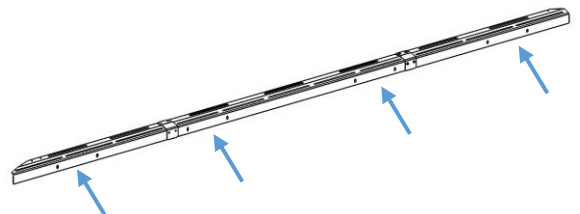


Figure 9: Mounting Bracket Locations
(one side shown, 8 locations total)

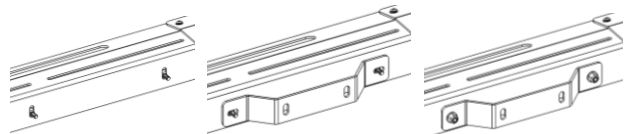


Figure 10: Assembly of Mounting Brackets

6. Position the panels so the flat surface is now exposed (face up). Install the Back Panel onto the rear of the rack using the #10-32 x 3/8" bolts as shown in Figure 11.

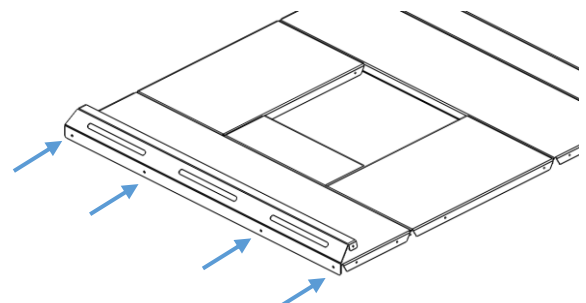


Figure 11: Back Panel Assembly

7. Install the pre-assembled side rails onto the flooring panels using the #10-32 x 3/8" bolts into all *available* threaded holes through the lower slot on the side rails as shown in Figures 12 & 13. NOTE: not all fastener locations will be available (covered by side rails).



Figure 12: Lower Slot on Side Rails

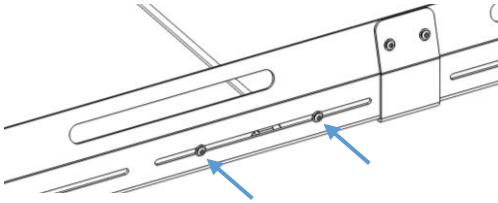


Figure 13: Side Rail Attachment

8. Secure the Back Panel to the Side Rail as shown in Figure 14 on both sides with the #10-32 x 3/8" bolts.

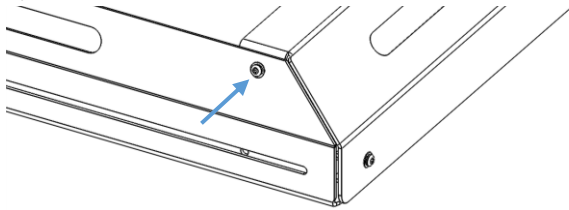


Figure 14: Back Panel to Side Rail Assembly

9. Install the Air Dam in the front as shown in Figure 15 on both sides with the #10-32 x 3/8" bolts.

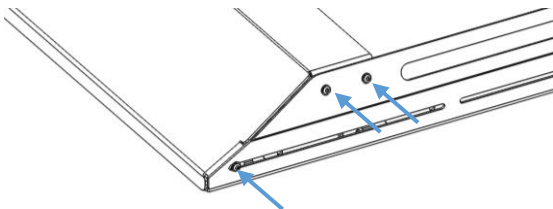


Figure 15: Front Air Dam Assembly

10. Install the four (4) Air Dam Brackets into the front lip of the air dam in the locations as shown in Figure 16.

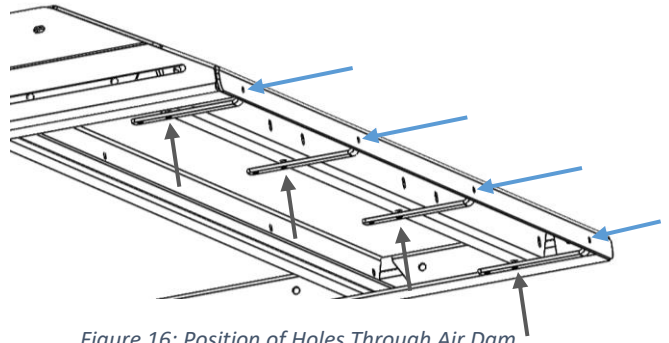


Figure 16: Position of Holes Through Air Dam

11. Secure the Air Dam Brackets by bolting through the bottom lip of the front-most panel using the #10-32 x 5/8" hardware (bolt, washers, and nut) as shown in Figure 16.
12. Your roof rack is now ready for installation onto the van.
13. Insert 4 studded inserts into each side of your track system in preparation of your roof rack as shown in Figure 18. Slide them down the track to the approximate mounting bracket locations.



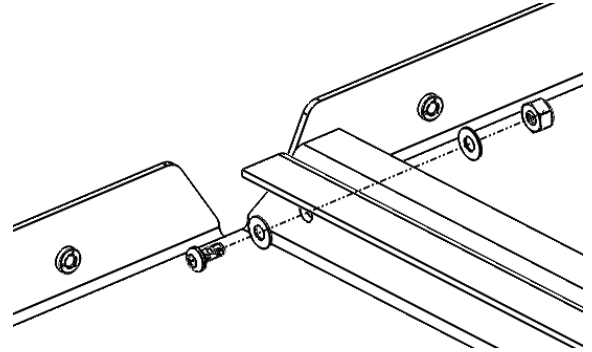
Figure 17: Studded Inserts Installed into Roof Tracks

14. Lift your rack onto the roof track system while aligning the studded inserts to the mounting brackets of the roof rack.
15. Apply anti-seize to all studs.
16. Install 1/4"-20 nuts and washer onto the studded inserts and tighten to 6 ft-lbs. of torque on the mounting brackets throughout the rack. NOTE: **BE CAREFUL** to not over tighten.
17. Your new Aluminess roof rack is now installed! Be sure to check all bolts after the first 100 miles of driving and periodically thereafter.

Bolt Replacement Instructions: (MAY NOT BE NECESSARY)

1. If during assembly a bolt becomes stripped, cross-threaded, or seized, use the provided extra hardware to replace the defective bolt.
2. Remove the defective bolt and washer. Note, the bolt may need to be cut-off or drilled out in order to remove.
3. Using a center-punch or 1/8" drill bit, hammer out the affected threaded insert.
4. Use the provided #10-32 x 1/2" bolt *with anti-seize*, washers, and nut in the same orientation as before.

5. Tighten the bolt down and continue with assembly.





Aluminess Products, Inc. (Aluminess) Warranty

1. Lifetime Warranty. Aluminess provides a lifetime warranty of its products to the original retail purchaser provided such products are installed correctly according to the official Aluminess installation instructions. Any modification to the original product design, function or use of any Aluminess products will void the Aluminess warranty. Aluminess will have sole discretion to determine warranty eligibility for any and all Aluminess products sold to any purchaser.

2. Limited Remedies. Subject to any limitations and exclusions described herein, and subject to Aluminess' determination of warranty eligibility, Aluminess will remedy defects in product materials and/or workmanship of any product by repairing or replacing such defective product, which shall be within Aluminess' sole discretion, without charge for parts or labor. Aluminess may elect in its sole discretion not to replace a defective product and issue the purchaser a refund equal to the purchase price of any defective product or purchaser may elect to receive a credit (equal to such refund) toward the purchase of new Aluminess products. Repair or replacement of a defective product or providing a refund or credit to purchaser will be purchaser's exclusive remedy under this warranty. Damage to a purchaser's vehicle, cargo and/or any other person or property is expressly excluded from the Aluminess warranty.

3. Modification. Aluminess products are designed to be mounted to factory equipped vehicles. Aftermarket additions to such vehicle may or may not require modification of an Aluminess product. The Aluminess warranty does not extend to any Aluminess products that are modified to fit around other otherwise accommodate or be compatible with any aftermarket vehicle accessories or alterations. Aluminess does not guarantee fitment with any other aftermarket accessories or modified vehicle, and it is up to purchaser to determine fitment prior to purchasing any Aluminess product.

4. Damage. Damage to Aluminess products due to normal wear and tear, including, but not limited to, cosmetic issues and superficial scratches, or structural damage to an Aluminess product in connection with any vehicle collisions or other structural degradation in connection with the use of such vehicle (on road or off road) will not be covered by the Aluminess warranty. Additionally, any product user's misuse, neglect, overloading, improper maintenance or improper installation or repair of any Aluminess products are not covered under the Aluminess warranty.

5. Use of the Products. Aluminess products are designed for off road vehicle use. Installing Aluminess products on a vehicle may exceed the factory designed capabilities of such vehicle and could potentially lead to vehicle damage. Aluminess will not be responsible for any damage caused to a purchaser or user's vehicle or any vehicle accessories caused by the use of any Aluminess products. It is to the sole responsibility of purchaser to inspect and ensure that the intended vehicle and Aluminess products are suitable and compatible for travel on road and off road. No seller nor any manufacturer of Aluminess products will be liable for any loss, damage or injury directly or indirectly arising from the use of any Aluminess products. Before using any Aluminess products, the purchaser or user will determine the suitability of the product(s) for their intended use(s) and the purchaser or user shall assume all responsibility and risk in connection therewith.

6. DISCLAIMER. THE ALUMINESS WARRANTY IS EXPRESSLY MADE IN LIEU OF ANY AND ALL OTHER WARRANTIES, AND EXCEPT FOR THE ALUMINESS WARRANTY SET FORTH HEREIN, ALUMINESS MAKES NO WARRANTY WHATSOEVER WITH RESPECT TO ANY ALUMINESS PRODUCT, INCLUDING ANY WARRANTY OF MERCHANTABILITY AND FITNESS FOR A PARTICULAR PURPOSE, WHETHER EXPRESS OR IMPLIED BY LAW, COURSE OF DEALING, COURSE OF PERFORMANCE, USAGE OF TRADE, OR OTHERWISE.

EXCEPT FOR PURCHASER'S LIMITED REMEDIES SET FORTH HEREIN, IN NO EVENT WILL ALUMINESS BE LIABLE FOR ANY LOST PROFITS, LOST SALES, OR FOR ANY CONSEQUENTIAL, DIRECT, INDIRECT, INCIDENTAL, SPECIAL, EXEMPLARY OR PUNITIVE DAMAGES OR FOR ANY OTHER DAMAGES OF ANY KIND OR NATURE.

7. Compliance. Aluminess cannot guarantee that its products comply with all Federal, State, and/or local laws. Purchaser is advised to review local vehicle codes for compatibility prior to purchase to ensure that the installation and use of any Aluminess products does not violate any applicable laws.

8. Warranty Claim Submission. Purchaser will responsible for returning any defective product to Aluminess for warranty consideration and purchaser may be responsible for all costs associated with shipping the product to and from Aluminess. Prior to returning any product for warranty, purchaser must contact Aluminess Products Inc. for proper authorization.