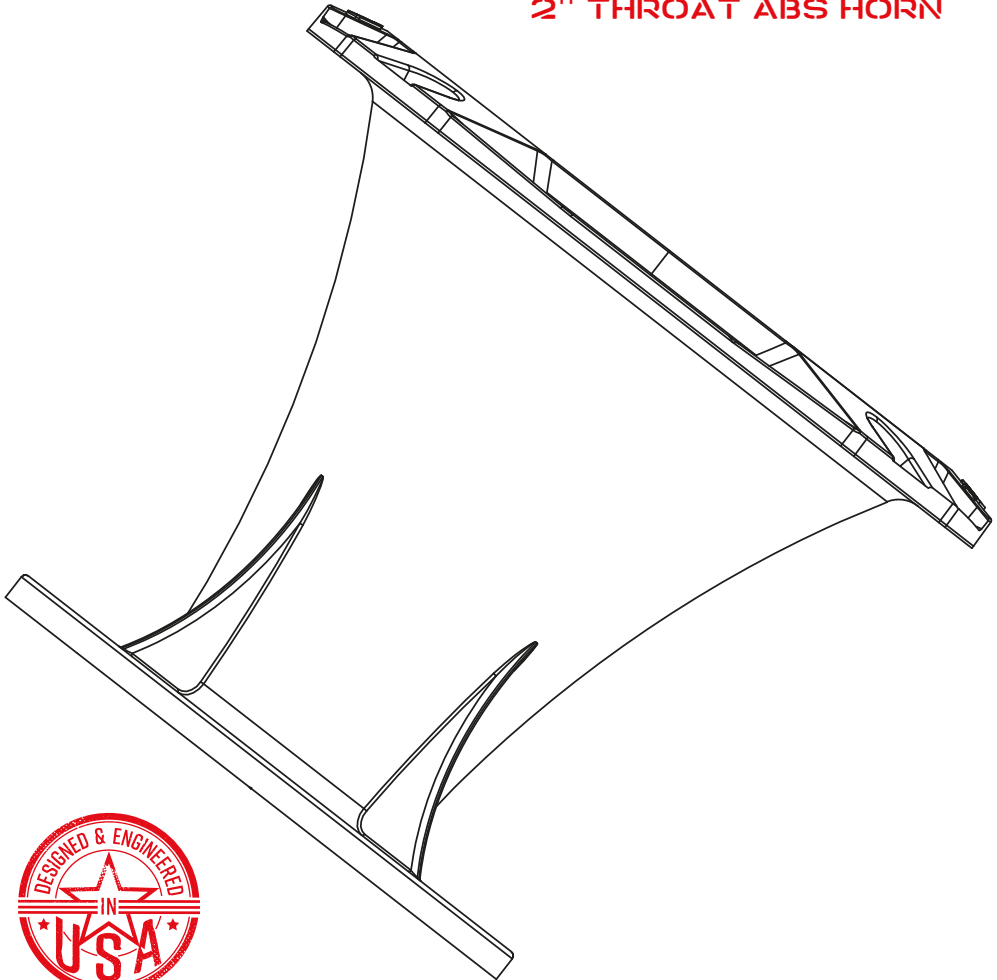




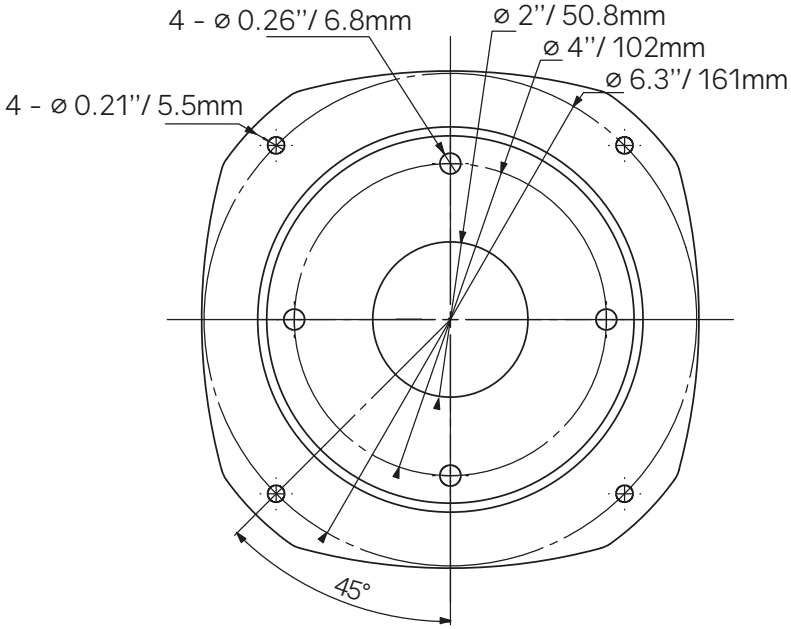
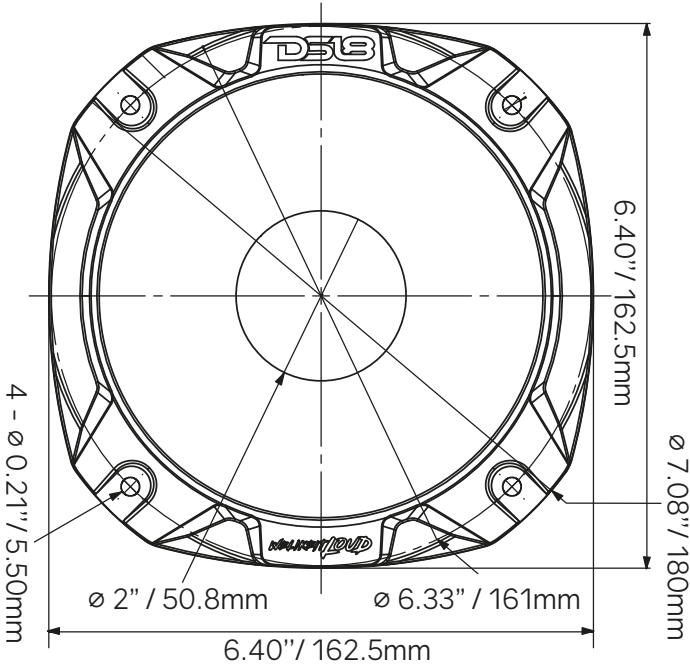
DS18[®]

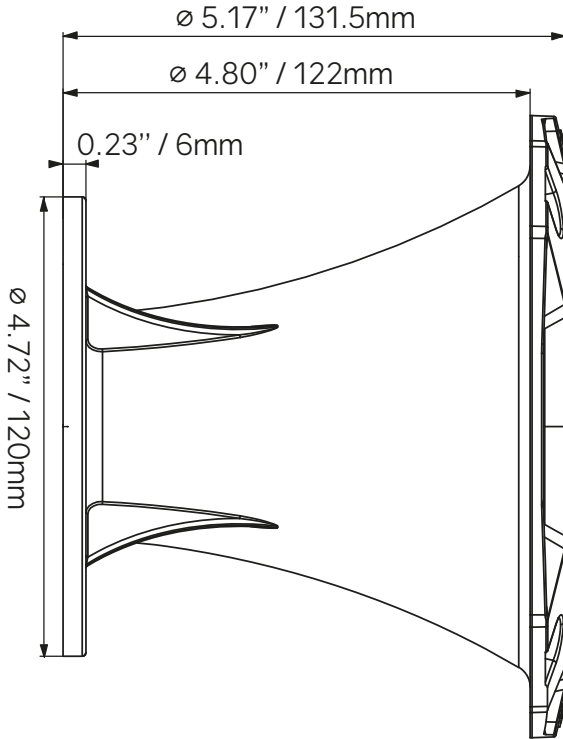
PRO

OWNER'S MANUAL
PRO-HP102
2" THROAT ABS HORN



PRO-HP102





Specifications:

Installation Type: Bolt-on
Throat Diameter: 2" / 50.8mm
Nominal Horn Diameter: 6.5"
Sound Coverage: 35° Rounded

Measurements:

Overall Diameter: 7.08" / 180mm
Overall Depth: 5.17" / 131.50mm
Mounting Depth: 4.84" / 122.936mm
Driver Bolt Pattern: 4" / 102mm x 4-0.26" / 6.8mm
Mounting Bolt Pattern: 6.33" / 161mm x 4- 0.21" / 5.5mm
Mounting Hole Diameter: 5.43" / 138mm



FOR MORE INFORMATION
PLEASE VISIT
DS18.COM

WE LIKE IT LOUD

The DS18 logo, featuring the letters "DS18" in a bold, stylized, italicized font. The "1" is a vertical bar. To the left of the logo is a thick red horizontal line that curves upwards and to the left, ending in a sharp, pointed shape.

DS18[®]