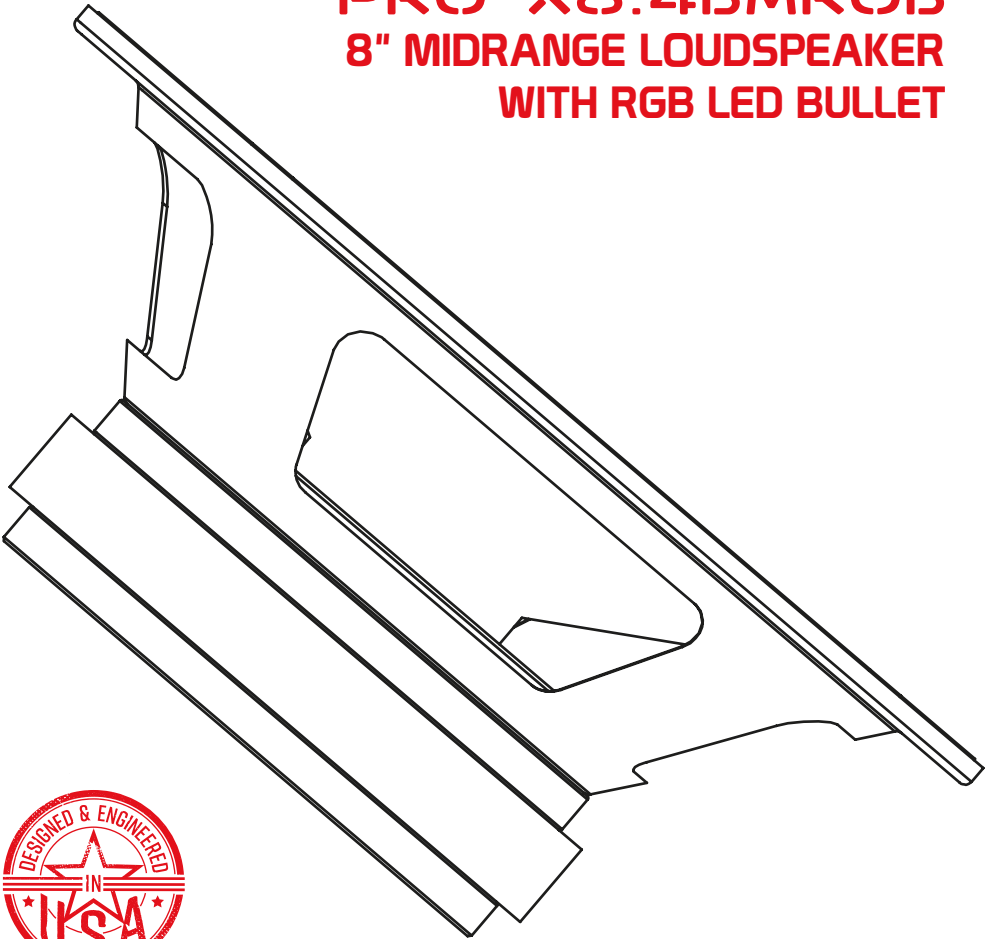


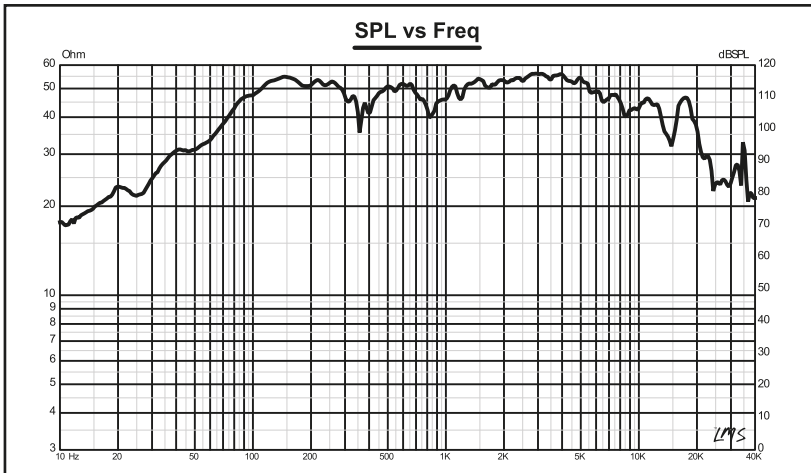
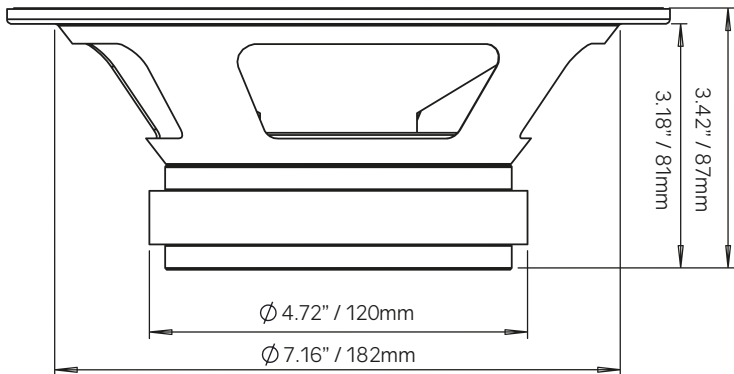
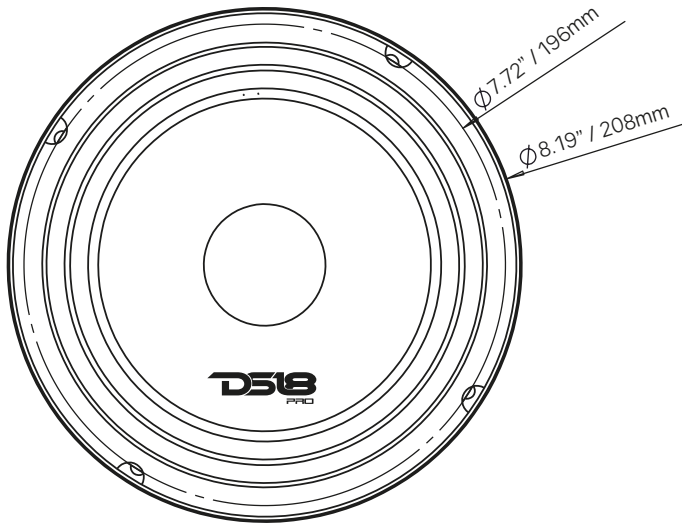


DS18[®]
PRO

OWNER'S MANUAL
PRO-X8.43MRGB
8" MIDRANGE LOUDSPEAKER
WITH RGB LED BULLET



PRO-X8.4BMRGB



Specifications

Nominal Diameter	8"
Nominal Impedance	4 ohm
RMS Power Handling	275w
MAX Power Handling	550w
Sensitivity (1w/1m)	96dB
Frequency Response.....	125Hz-16KHz
Recommended HI Pass Crossover.....	120Hz

Motor

Voice Coil Diameter.....	38.6mm / 1.5"
Voice Coil Former Material	Kapton
Winding Material	CCAW
Cone Material.....	Paper
Bullet Material.....	Translucid ABS with RGB LED
Surround Material.....	Cloth
Basket Material	Steel
Magnet Material.....	Ferrite
Magnet Weight.....	30 Oz
Displacement Volume.....	0.046L

Thiele & Small Parameters

Equivalent Volume	Vas.....	7.1226L
Excursion (one way)	Xmax.....	9.3mm
Free Air Resonance	Fs	114Hz
Mechanical Factor	Qms	9.052
Electrical Factor	Qes.....	0.877
Total Factor	Qts.....	0.8
Mechanical Mass	Mms.....	17.699g
Mechanical Compliance	Cms.....	0.11 m/N
BL Factor	BL.....	6.945
Voice Coil Inductance	Le.....	5.31mH
Cone Area	Sd.....	213.82 cm ²
CD Resistance	Re.....	3.2 ohms
Mechanical Mass w/o air	Mmd.....	14.157g

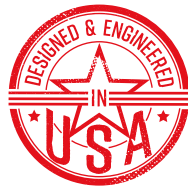
Measurements

Overall Diameter.....	8.19" / 208mm
Overall Depth.....	3.42" / 87mm
Front Mount Baffle Cutout.....	7.16" / 182mm
Mouting Depth.....	3.18" / 81mm
Motor Diameter.....	4.72" / 120mm

PRO-X8.4BMRGB

#WELIKEITLOUD





FOR MORE INFORMATION
PLEASE VISIT
DS18.COM

WE LIKE IT LOUD

DS18[®]

The DS18 logo is rendered in a bold, red, stylized font. Above the logo is a thick red horizontal swoosh that curves upwards on the left side and then levels out to the right.