



OWNER'S MANUAL

ZXI

COAXIAL SPEAKERS

ZXI-44

ZXI-62C

ZXI-354

ZXI-464

ZXI-654

ZXI-694

ZXI-5254



OWNER'S MANUAL
ZXI
COAXIAL SPEAKERS

| SPECIFICATIONS | | ZXI-4.4 | ZXI-354 | ZXI-464 |
|--------------------------------------|------|---------------------|-------------------|-------------------------|
| Nominal Diameter | | 4" | 3.5" | 4x6" |
| Nominal Impedance | | 4 ohm | 4 ohm | 4 ohm |
| RMS Power Handling | | 50 Watts | 40W | 60 Watts |
| MAX Power Handling | | 150 Watts | 120W | 180 Watts |
| Sensitivity (1w/1m) | | 88dB | 86dB | 87dB |
| Frequency Response | | 80Hz-20Khz | 120Hz-20KHz | 80Hz-20KHz |
| Recommended HI Pass Crossover | | 100Hz | 140Hz | 100Hz |
| Speaker Type | | 2-Way | Full Range | 2-Way |
| MOTOR | | | | |
| Voice Coil Diameter | | 1" / 25.5mm | 1" / 25.5mm | 1" / 25.5mm |
| Voice Coil Former Material | | KSV | KSV | KSV |
| Winding Material | | EISV | EISV | EISV |
| Cone Material | | Glass fiber | Glass fiber | Glass fiber |
| Surround Material | | Rubber | Rubber | Rubber |
| Basket Material | | Steel | Steel | Steel |
| Magnet Material | | Barium Ferrite | Barium Ferrite | Barium Ferrite |
| Magnet Weight | | 10.9 oz / 310g | 10.9oz / 310g | 10.9 oz / 310g |
| TWEETER | | | | |
| Nominal Diameter | | 1" (25.4mm) | - | 1" (25.4mm) |
| Voice Coil Diameter | | 0.8"(ø20.4mm) | - | 0.8"(ø20.4mm) |
| Voice Coil Former Material | | KSV | - | KSV |
| Winding Material | | EISVM | - | EISVM |
| Diaphragm Material | | PEI | - | PEI |
| Magnet Material | | Neodymium | - | Neodymium |
| Magnet Weight | | 0.3 oz / 8.5g | - | 0.3 oz / 8.5g |
| THIELE & SMALL PARAMETERS | | | | |
| Equivalent Volume | Vas | 1.59L | 0.55L | 1.989L |
| Excursion (one way) | Xmax | 2.3mm | 1.4mm | 2.3mm |
| Free Air Resonance | Fs | 95Hz | 140Hz | 77Hz |
| Mechanical Factor | Qms | 9.00 | 7.08 | 5.97 |
| Electrical Factor | Qes | 0.8 | 1.37 | 1.15 |
| Total Factor | Qts | 0.74 | 1.15 | 0.97 |
| Mechanical Mass | Mms | 8.47g | 3.2g | 9.79g |
| Mechanical Compliance | Cms | 364.9mm/N | 402mm/N | 232mm/N |
| BL Factor | BL | 4.583 | 2.938 | 4.44 |
| Voice Coil Inductance | Le | 216mH | 169mH | 216mH |
| Cone Area | Sd | 55.4cm ² | 32cm ² | 77.7cm ² |
| DC Resistance | Re | 3.5 ohm | 4.2 ohm | 3.5 ohm |
| Mechanical Mass w/o air | Mmd | 8.0g | 3.0g | 9g |
| MEASUREMENTS | | | | |
| Overall Diameter | | 3.94" / 100mm | 3.50" / 89mm | 3.82x5.94" / 97x151mm |
| Overall Depth | | 2.80" / 71mm | 1.65" / 42mm | 2.80" / 71mm |
| Front Mount Baffle Cutout | | 3.66" / 93mm | 2.80" / 71mm | 3.46x5.51" / 87.8x140mm |
| Mouting Depth | | 2.20" / 56mm | 1.49" / 37.8mm | 2.05" / 52mm |
| Motor Diameter | | 3.31" / 84mm | 2.36" / 60mm | 3.31" / 84mm |

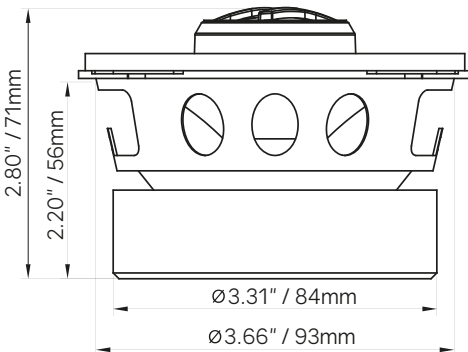
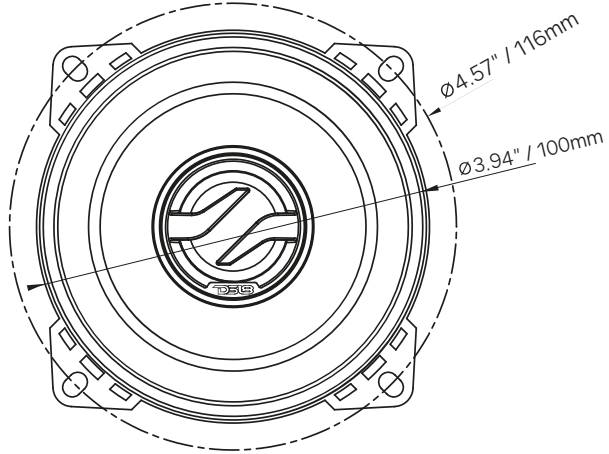


| SPECIFICATIONS | | ZXI-654 | ZXI-694 | ZXI-5254 |
|--------------------------------------|------|--------------------|------------------------|---------------------|
| Nominal Diameter | | 6.5" | 6X9" | 5.25" |
| Nominal Impedance | | 4 ohm | 4 ohm | 4 ohm |
| RMS Power Handling | | 80 Watts | 120 Watts | 60 Watts |
| MAX Power Handling | | 240 Watts | 360 Watts | 180 Watts |
| Sensitivity (1w/1m) | | 89dB | 92dB | 89dB |
| Frequency Response | | 40Hz-20KHz | 31.5Hz-20KHz | 40Hz-20KHz |
| Recommended HI Pass Crossover | | 60Hz | 50Hz | 60Hz |
| Speaker Type | | 2-Way | 2-Way | 2-Way |
| MOTOR | | | | |
| Voice Coil Diameter | | 1" / 25.5mm | 1.2" / 30.4mm | 1" / 25.5mm |
| Voice Coil Former Material | | KSV | KSV | KSV |
| Winding Material | | EISV | EISV | EISV |
| Cone Material | | Glass fiber | Glass fiber | Glass fiber |
| Surround Material | | Rubber | Rubber | Rubber |
| Basket Material | | Steel | Steel | Steel |
| Magnet Material | | Barium Ferrite | Barium Ferrite | Barium Ferrite |
| Magnet Weight | | 14.46 oz / 410g | 19.4 oz / 550g | 10.9 Oz / 310g |
| TWEETER | | | | |
| Nominal Diameter | | 1" (25.4mm) | 1" (25.4mm) | 1" (25.4mm) |
| Voice Coil Diameter | | 0.8"(ø20.4mm) | 0.8"(ø20.4mm) | 0.8"(ø20.4mm) |
| Voice Coil Former Material | | KSV | KSV | KSV |
| Winding Material | | EISVM | EISVM | EISVM |
| Diaphragm Material | | PEI | PEI | PEI |
| Magnet Material | | Neodymium | Neodymium | Neodymium |
| Magnet Weight | | 0.3 oz / 8.5g | 8.5g | 0.3 oz / 8.5g |
| THIELE & SMALL PARAMETERS | | | | |
| Equivalent Volume | Vas | 10.84L | 17.52L | 4.86L |
| Excursion (one way) | Xmax | 2.7mm | 3.3mm | 2.3mm |
| Free Air Resonance | Fs | 64Hz | 58Hz | 77Hz |
| Mechanical Factor | Qms | 9.44 | 5.77 | 8.39 |
| Electrical Factor | Qes | 0.79 | 1.18 | 0.87 |
| Total Factor | Qts | 0.73 | 0.98 | 0.79 |
| Mechanical Mass | Mms | 13.72g | 23.44g | 9.93g |
| Mechanical Compliance | Cms | 444mm/N | 286mm/N | 457mm/N |
| BL Factor | BL | 5.1 | 5.18 | 4.321 |
| Voice Coil Inductance | Le | 228mH | 178mH | 216mH |
| Cone Area | Sd | 131cm ² | 207.7cm ² | 86.5cm ² |
| DC Resistance | Re | 3.5 ohm | 3.5 ohm | 3.5 ohm |
| Mechanical Mass w/o air | Mmd | 12g | 20g | 9.0g |
| MEASUREMENTS | | | | |
| Overall Diameter | | 6.50" / 165mm | 6.37x9.25" / 162x235mm | 5.08" / 129mm |
| Overall Depth | | 2.83" / 72mm | 3.66" / 93mm | 2.80" / 71mm |
| Front Mount Baffle Cutout | | 5.55" / 141mm | 5.94x8.70" / 151x221mm | 4.45" / 113mm |
| Mouting Depth | | 2.36" / 60mm | 3.22" / 82mm | 2.28" / 58mm |
| Motor Diameter | | 3.70" / 94mm | 4.09" / 104mm | 3.31" / 84mm |

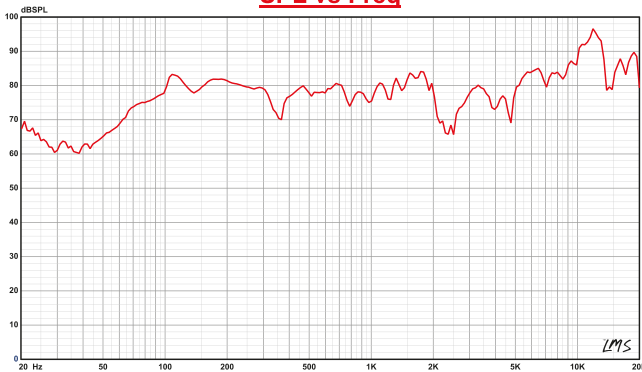
| GENERAL | | ZXI-62C |
|--|------|------------------|
| Nominal Diameter | | 6.5" / 165mm |
| Nominal Impedance | | 4 ohm |
| RMS Power Handling | | 80W |
| MAX Power Handling | | 240W |
| Sensitivity (1w/1m) | | 88dB |
| Frequency Response | | 40Hz-20Khz |
| Recommended HI Pass Crossover | | 60Hz |
| Speaker Type | | 2-Way |
| WOOFER | | |
| Voice Coil Diameter | | 1" / 25.5mm |
| Voice Coil Former Material | | KSV |
| Winding Material | | EISV |
| Cone Material | | Glass fiber |
| Surround Material | | Rubber |
| Basket Material | | Steel |
| Magnet Material | | Barium Ferrite |
| Magnet Weight | | 14.4 oz / 410g |
| Grill Included | | Yes |
| Pair | | Yes |
| TWEETER | | |
| Nominal Diameter | | 1.25" (31.7mm) |
| Voice Coil Diameter | | 1" (ø25.5mm) |
| Voice Coil Former Material | | ASV |
| Winding Material | | EISVM |
| Diaphragm Material | | SILK |
| Magnet Material | | Neodymium |
| Magnet Weight | | 0.46 oz / 13g |
| Pair | | Yes |
| CROSSOVER SPECIFICATIONS & FEATURES | | |
| Passive Crossover Ways | | 2 Ways |
| Frequency Crossover point | | 3.5Khz |
| Cut-Off Slope | | 12 dB/Oct |
| Tweeter Attenuation | | (+/- 3dB) |
| Capacitor Type | | NP |
| Coil Type | | KSV |
| Terminal Type | | Screw-On |
| Housing Material | | ABS / Acrylic |
| Adjustments | | Tw Attenuation |
| Extra Features | | Pt Tw protection |
| Pair | | Yes |
| THIELE & SMALL PARAMETERS | | |
| Equivalent Volume | Vas | 10.36L |
| Excursion (one way) | Xmax | 2.7mm |
| Free Air Resonance | Fs | 64Hz |
| Mechanical Factor | Qms | 9.50 |
| Electrical Factor | Qes | 0.85 |
| Total Factor | Qts | 0.78 |



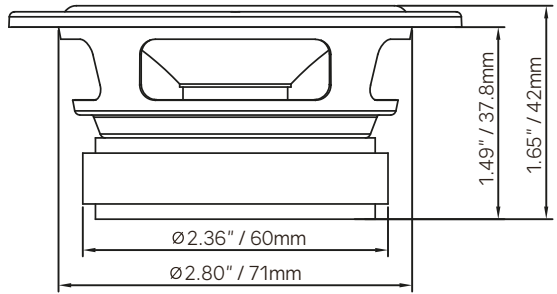
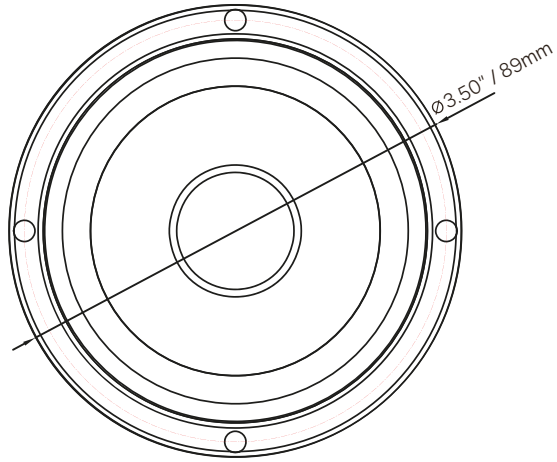
ZXI-44



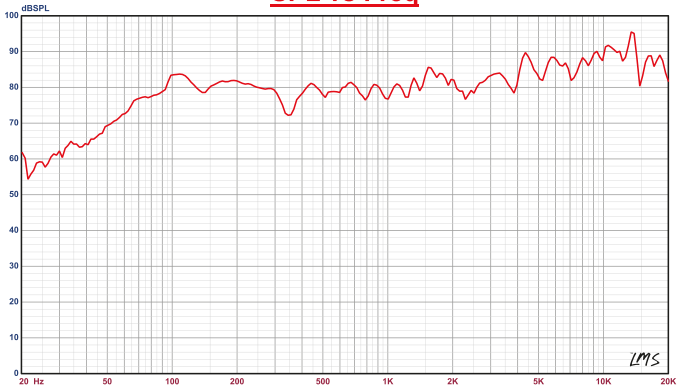
SPL vs Freq



ZXI-354

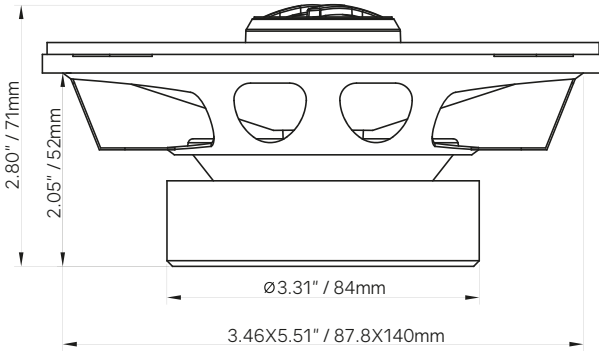
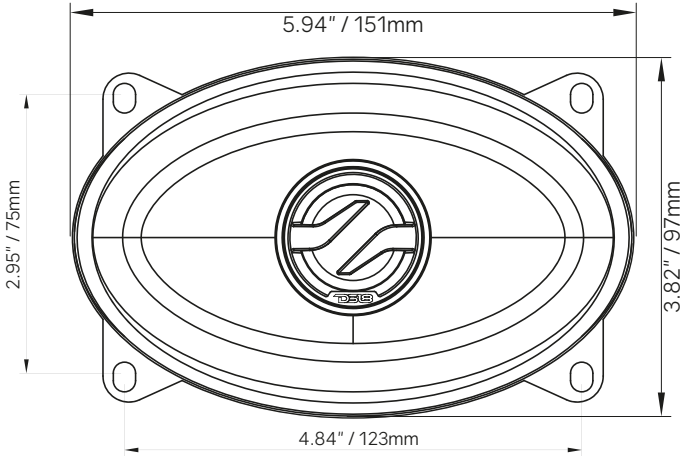


SPL vs Freq

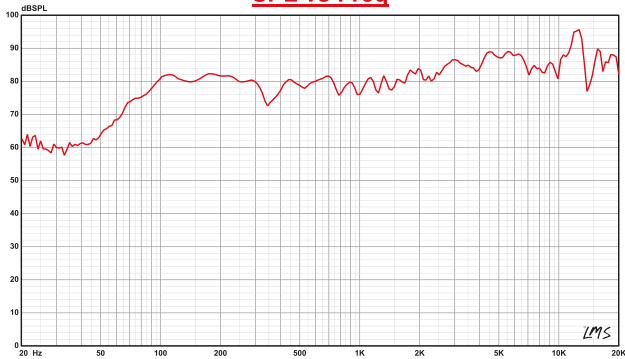




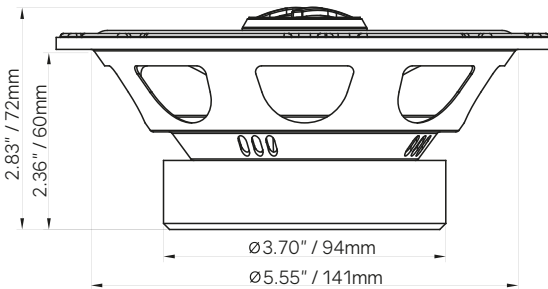
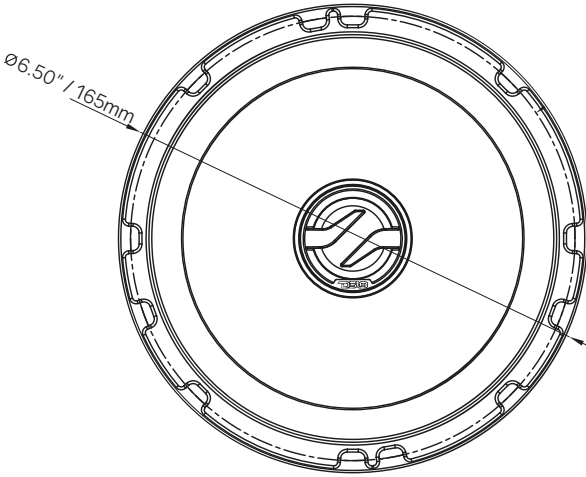
ZXI-464



SPL vs Freq



ZXI-654

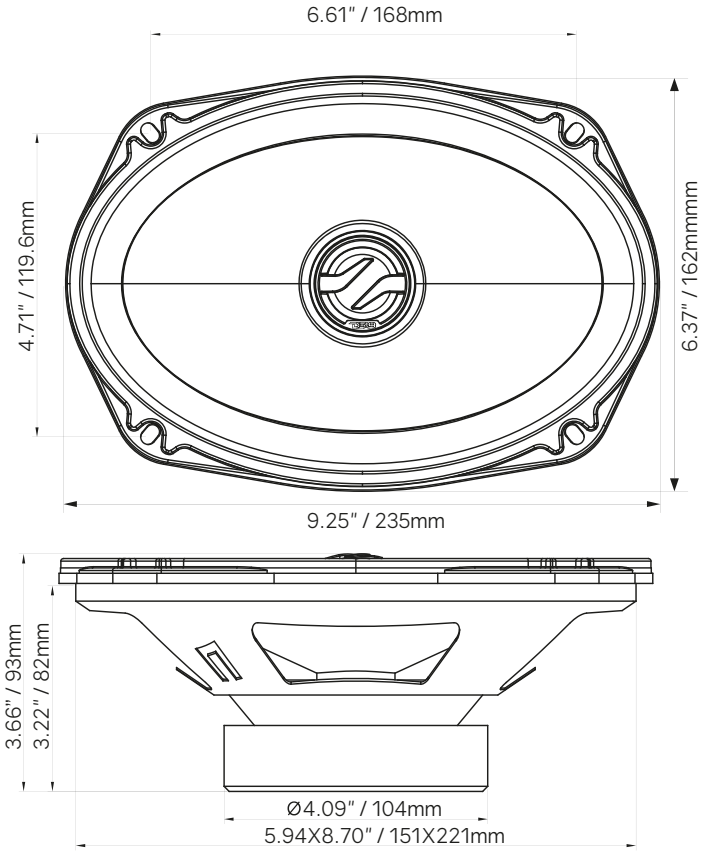


SPL vs Freq

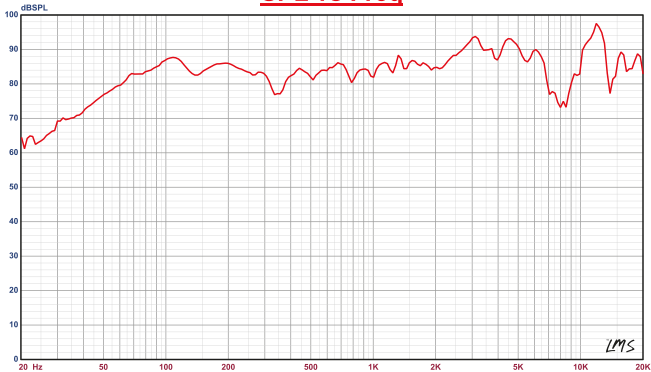




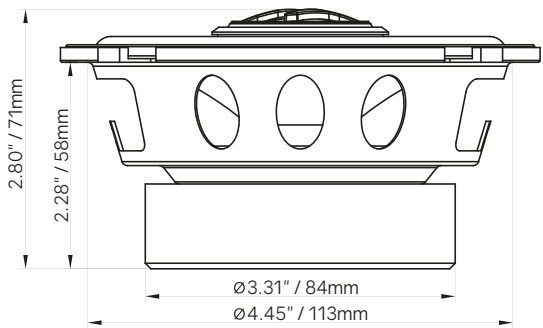
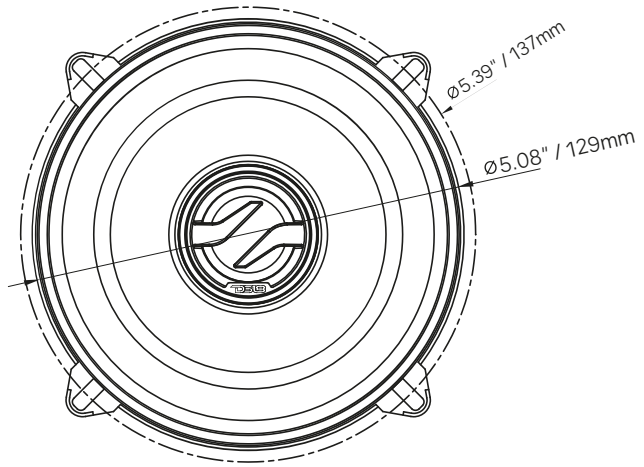
ZXI-694



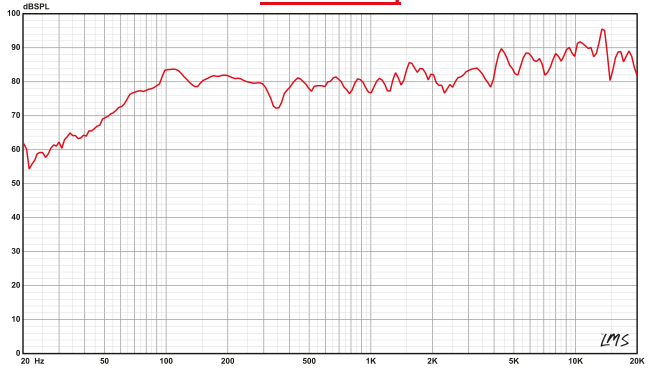
SPL vs Freq



ZXI-5254



SPL vs Freq

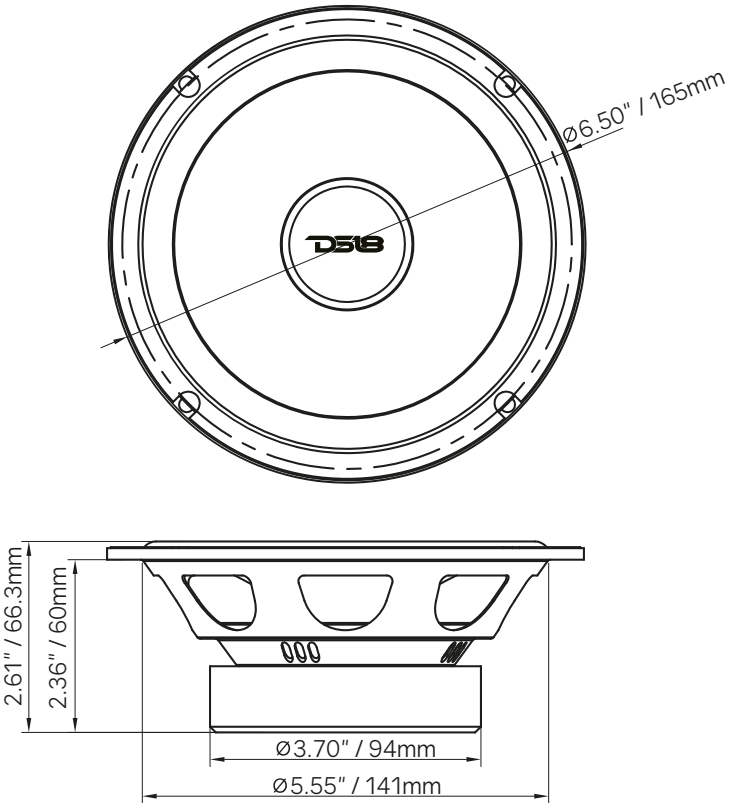


LMS



ZXI-62C

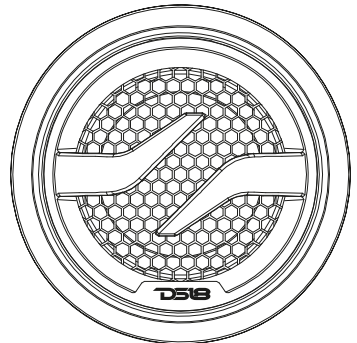
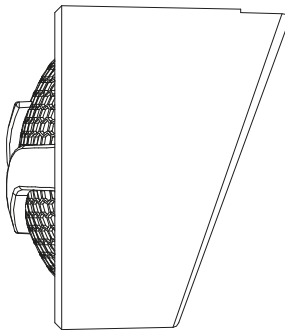
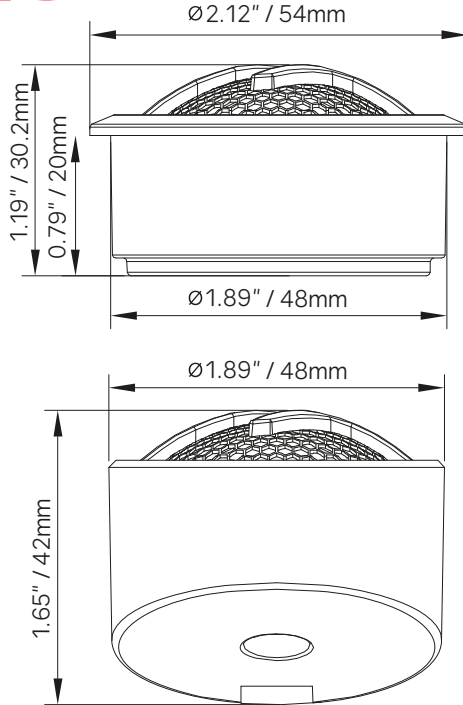
WOOFER



Woofer Measurements

| | |
|--------------------------------|----------------|
| Overall Diameter | 6.50" / 165mm |
| Overall Depth..... | 2.61" / 66.3mm |
| Front Mount Baffle Cutout..... | 5.55" / 141mm |
| Mouting Depth..... | 2.36" / 60mm |
| Motor Diameter..... | 3.70" / 94mm |

ZXI-62C
TWEETER



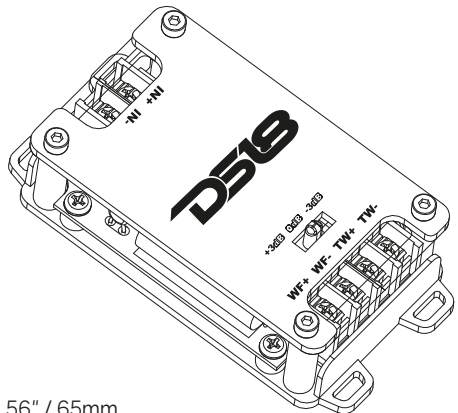
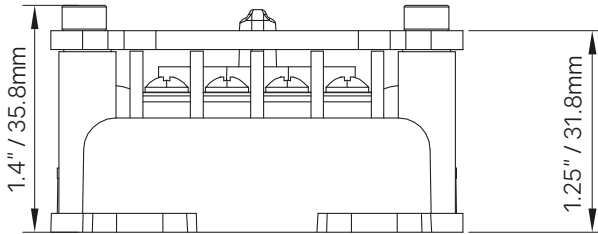
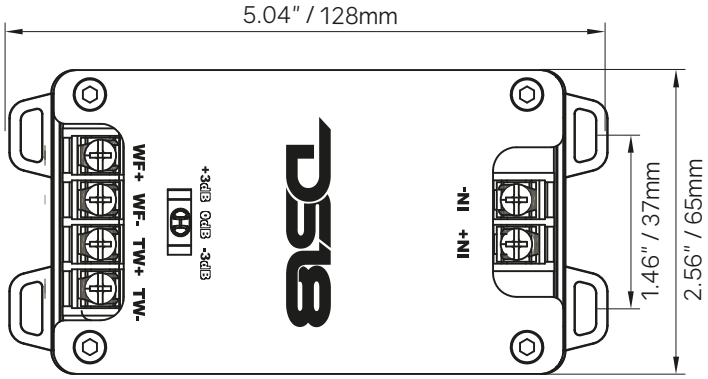
Tweeter Measurements

| | |
|--------------------------------|----------------|
| Overall Diameter | 2.12" / 54mm |
| Overall Depth..... | 1.19" / 30.2mm |
| Front Mount Baffle Cutout..... | 1.89" / 48mm |
| Mounting Depth..... | 0.79" / 20mm |



ZXI-62C

CROSSOVER

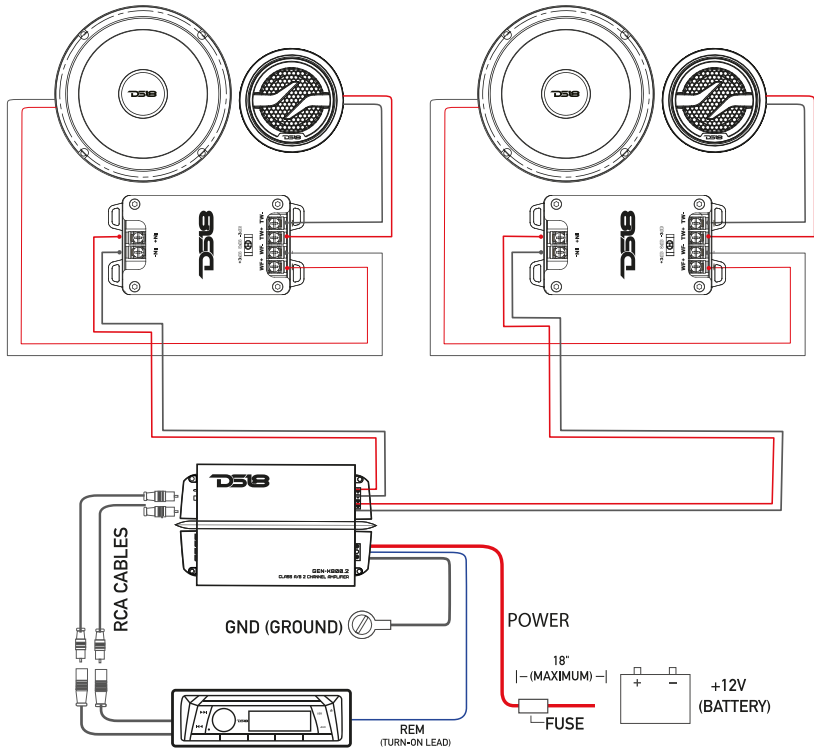


Crossover Measurements

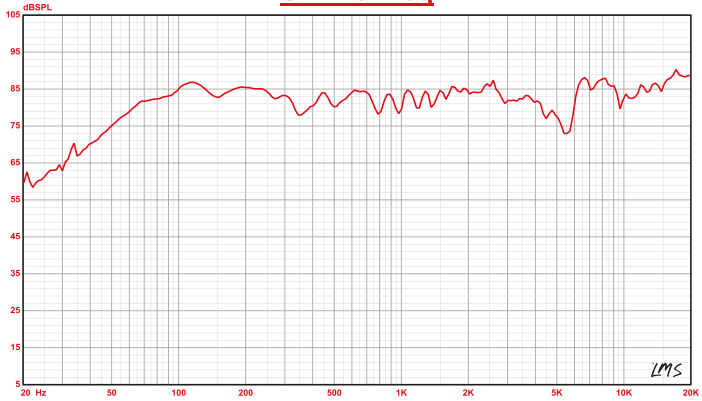
| | |
|----------------------|---------------|
| Overall Length | 2.56" / 65mm |
| Overall Depth..... | 5.04" / 128mm |
| Overall Height..... | 1.4" / 35.8mm |

OWNER'S MANUAL
ZXI
 COAXIAL SPEAKERS

ZXI-62C INSTALLATION



SPL vs Freq





FOR MORE INFORMATION
PLEASE VISIT
DS18.COM

WE LIKE IT LOUD

The DS18 logo, featuring the letters "DS18" in a bold, italicized, sans-serif font. The "1" is a vertical bar. To the left of the logo is a thick red horizontal line that curves upwards and to the right, ending in a sharp, diagonal cutout.

DS18[®]