



C7 CARBON INSTALLATION GUIDE

BRAND *Chevrolet* **MODEL** *C7 Corvette Z06/GS* **YEAR** *2015 and up*
PART NAME *C7.R Style Front splitter*
PART NUMBERS *C7-CCC7Z-C7R-FS-CF*
C7-CCC7Z-C7R-FS-CBF

www.C7carbon.com

C7 CARBON - INSTALLATION GUIDE

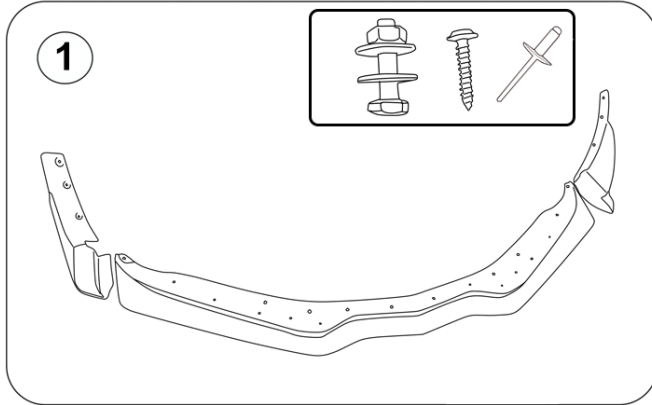
BRAND Chevrolet MODEL C7 Corvette Z06/GS

YEAR 2015 and up

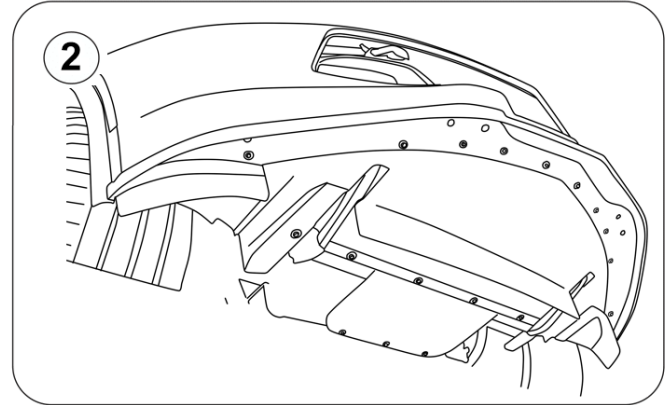
PART NAME C7.R Style Front splitter

PART NUMBERS C7-CCC7Z-C7R-FS-CF

C7-CCC7Z-C7R-FS-CBF

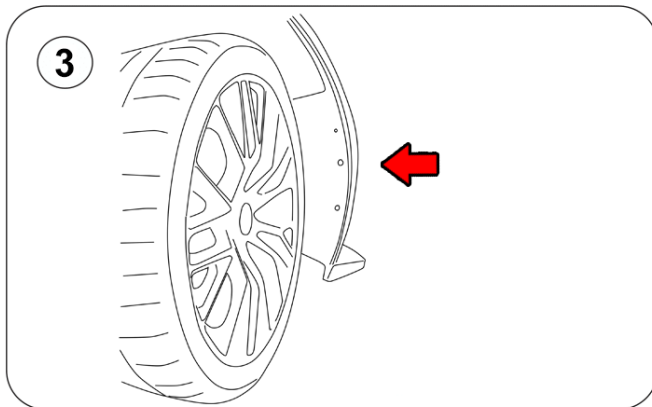


- 1.- Parts received in this package:
Driver and passenger side sideskirts.
6x Aluminum Pop rivets.
6x 1 1/4" Screws
4x Hex Nuts
8x washers
4x Hex Bolts

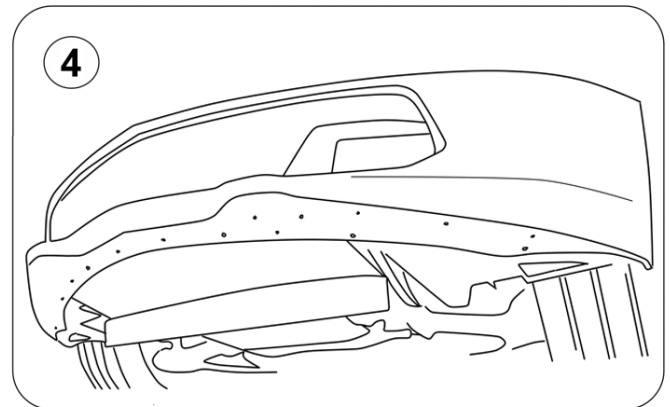


- 2.- Remove any existing splitter from the vehicle. If the current splitter is attached with pop rivets, then the pop rivets will need to be drilled out.
Note: Keep the factory bolts in hand as they will be re-used later on.

The side plastic air dams hanging down from the bottom of the splitter can be removed as well.



- 3.- Remove the 3 factory screws located inside the wheel well. Keep front fender arch moldings [a.k.a. fender spats] in place.



- 4.- Remove any residue of the pop rivets and clean the front bumper to install the C7R style splitter.

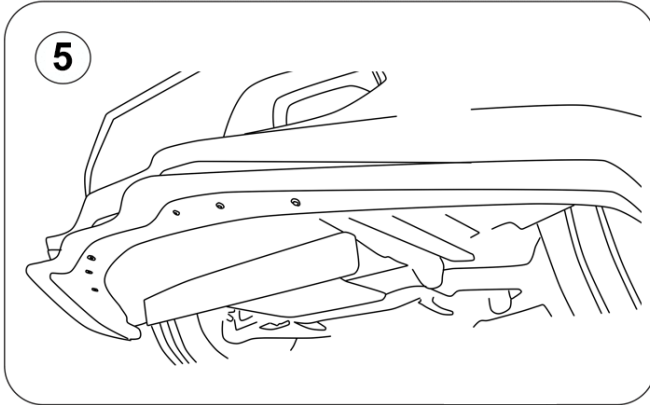
C7 CARBON - INSTALLATION GUIDE

BRAND Chevrolet MODEL C7 Corvette Z06/GS

YEAR 2015 and up

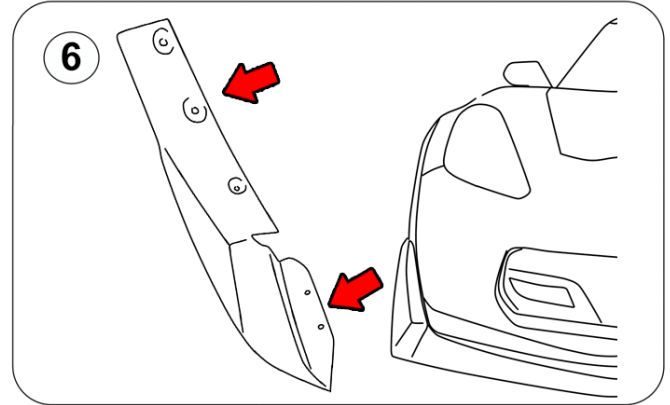
PART NAME C7.R Style Front splitter

PART NUMBERS C7-CCC7Z-C7R-FS-CF
C7-CCC7Z-C7R-FS-CBF

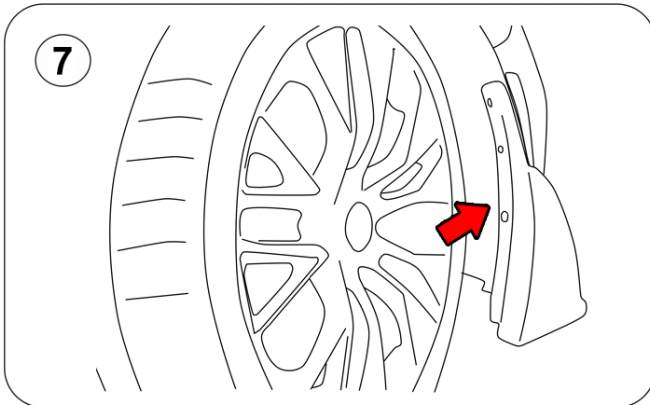


5.- Mount the C7R style front splitter and screw the factory size screws.

Note.- It's recommended to keep the screws a bit loose until the winglets are installed, after that remember to tighten up the screws.

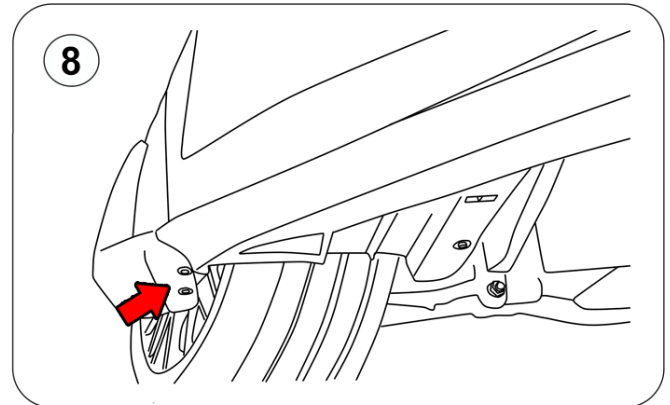


6.- Notice the bottom two holes and top 3 holes on the winglets.



7.- Use the provided 1 1/4" screws to install the winglets on the wheel well

Note.- With the splitter bolts being loose you will have a chance to move around the splitter and be able to maneuver the winglets into the correct place.



8.- Attach the bottom part of the winglets to the splitter using the 2 hex bolts and nuts, then finish tightening all the bolts that attach the splitter to the vehicle.

Note.- For extra strength, place pop rivets on the extra pre-drilled holes located underneath the front bumper fascia.