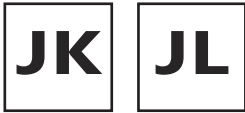




DESTROYER SERIES



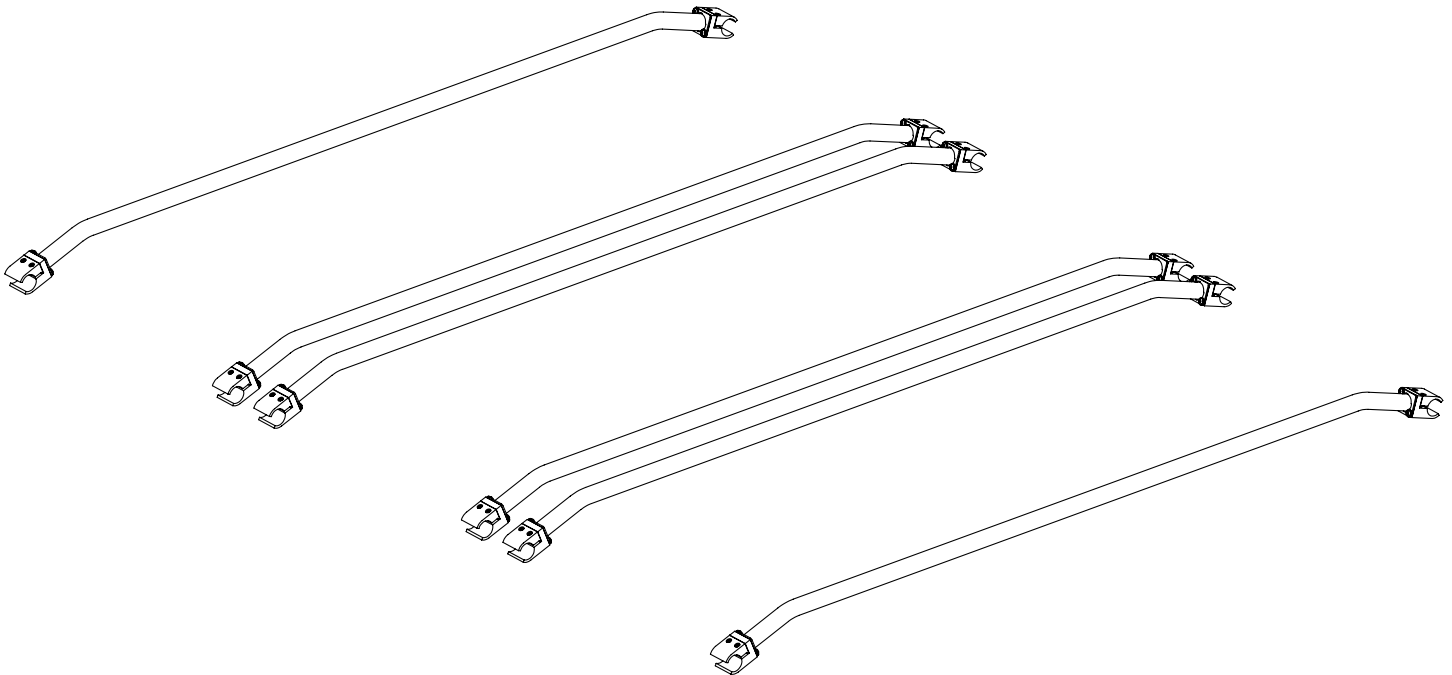
ROOF RACK
BASE RACK 4DR LONG
CROSS MEMBER KIT (6PCS)



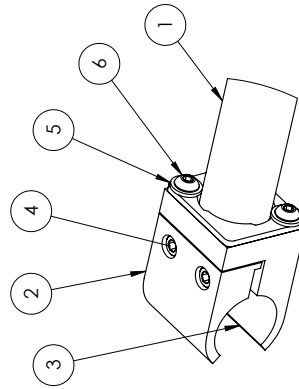
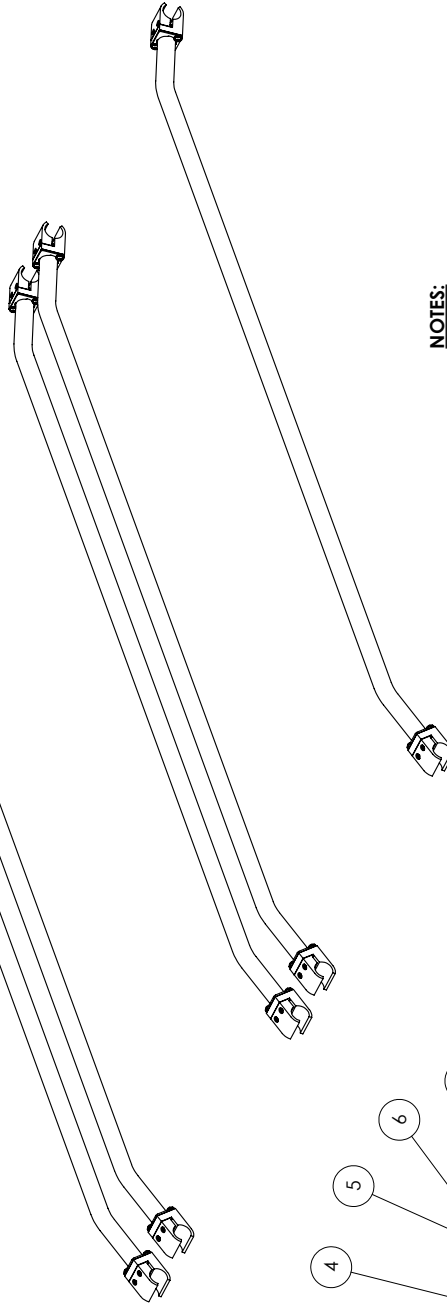
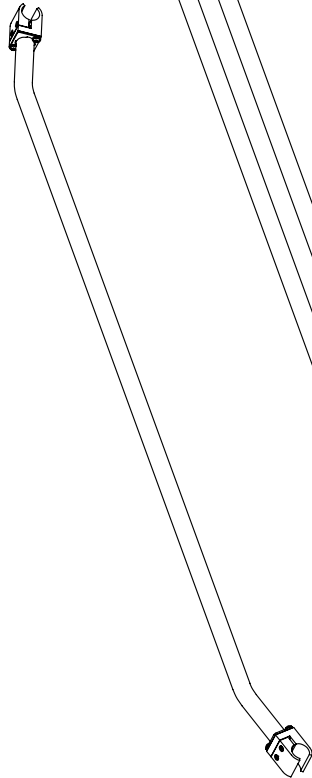
WEB LINK: <http://lodoffroad.com/assets/pdfs/JCM0790-91 BASE RACK 4DR LONG CROSS MEMBER KIT.pdf>

VERIFY YOU HAVE ALL THE COMPONENTS BEFORE STARTING THE INSTALLATION. REFER TO THE ENGINEERING DRAWINGS AT THE END OF THIS DOCUMENT FOR A COMPLETE PARTS LIST

PLEASE READ THROUGH THE ENTIRE INSTRUCTION SET BEFORE BEGINNING THE INSTALLATION PROCESS



| ITEM NO. | PART NUMBER | DESCRIPTION | QTY. |
|----------|-------------------------------|------------------------------------|------|
| 1 | 4JCM0796-02 | BASE RACK CROSS MEMBER WELDMENT | 6 |
| 2 | 2JRR0704-76 | BAR CLAMP TOP | 12 |
| 3 | 2JRR0704-75 | BAR CLAMP BOTTOM | 12 |
| 4 | SHSCS1/4-20 X 1.25 ZINC PLATE | SHSCS 1/4-20 X 1.25 ZINC PLATE | 24 |
| 5 | FW1209ZP | FLAT WASHER #12 X .56" ZINC PLATED | 24 |
| 6 | BHSCS252008ZP | BHSCS 1/4-20 X 0.50 ZINC PLATE | 24 |



- NOTES:**
 1. JCM0790 = BARE STEEL OPTION
 2. JCM0791 = BLACK POWDER COAT OPTION



| UNLESS OTHERWISE SPECIFIED: | NAME | DATE |
|---|------|--------|
| DRAWN | MCH | 8/8/19 |
| CHECKED | | |
| TOLERANCES: UNLESS OTHERWISE SPECIFIED: | | |
| ANGULAR: MACH ±1° | | |
| TWO PLACE DECIMAL ±0.015 | | |
| THREE PLACE DECIMAL ±0.005 | | |
| ENG APPR. | | |
| MFG APPR. | | |
| MATERIAL: | | |
| FINISH: | | |
| SEE NOTES | | |
| PROPERTY OF LOD LLC. ANY REPRODUCTION OR DISSEMINATION OF THIS DRAWING WITHOUT THE WRITTEN PERMISSION OF LOD LLC IS PROHIBITED. | | |

LOD LLC.

DESCRIPTION:
 BASE RACK 4DR LONG CROSS MEMBER KIT (6pcs)

| | | | |
|----------|---------|-------------|--------------|
| DWG. NO. | JCM0790 | REV | A |
| | JCM0791 | | |
| SCALE: | 1:8 | SHEET SIZE: | B |
| | | | SHEET 1 OF 1 |

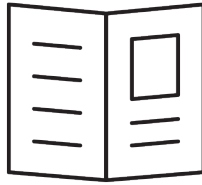


JK/JL Jeep
DESTROYER SERIES
 ROOF RACK
 BASE RACK 4DR LONG
 CROSS MEMBER KIT
 (6PCS)

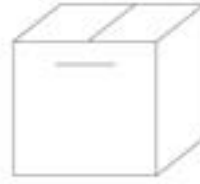
SHIPPING SHEET

Packaged by:

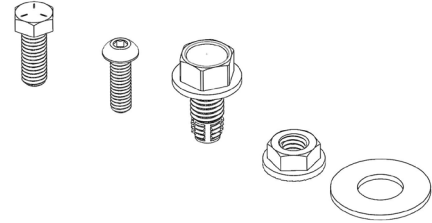
On:



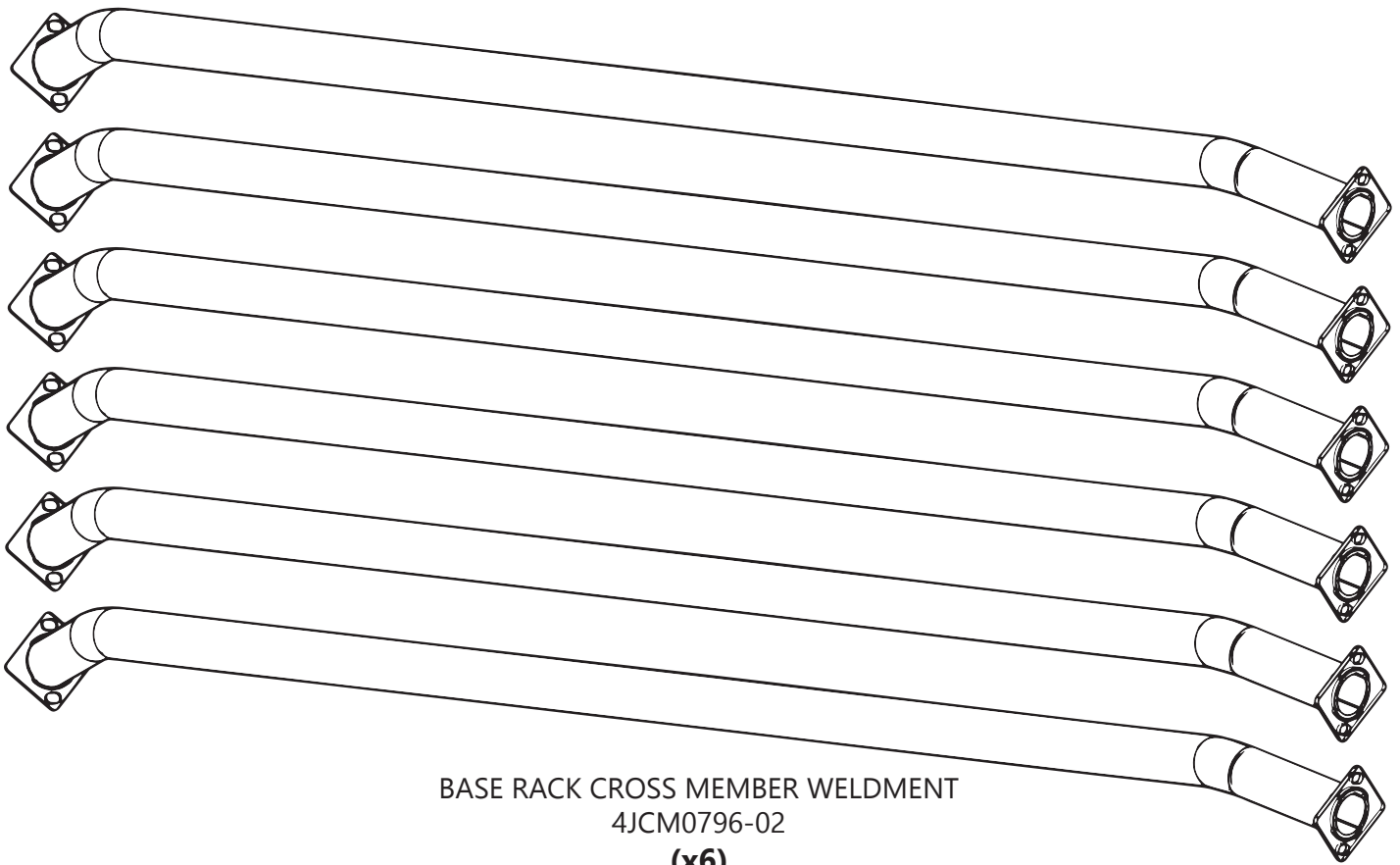
Instruction
Booklet



Hardware Kit
(contents
may vary)



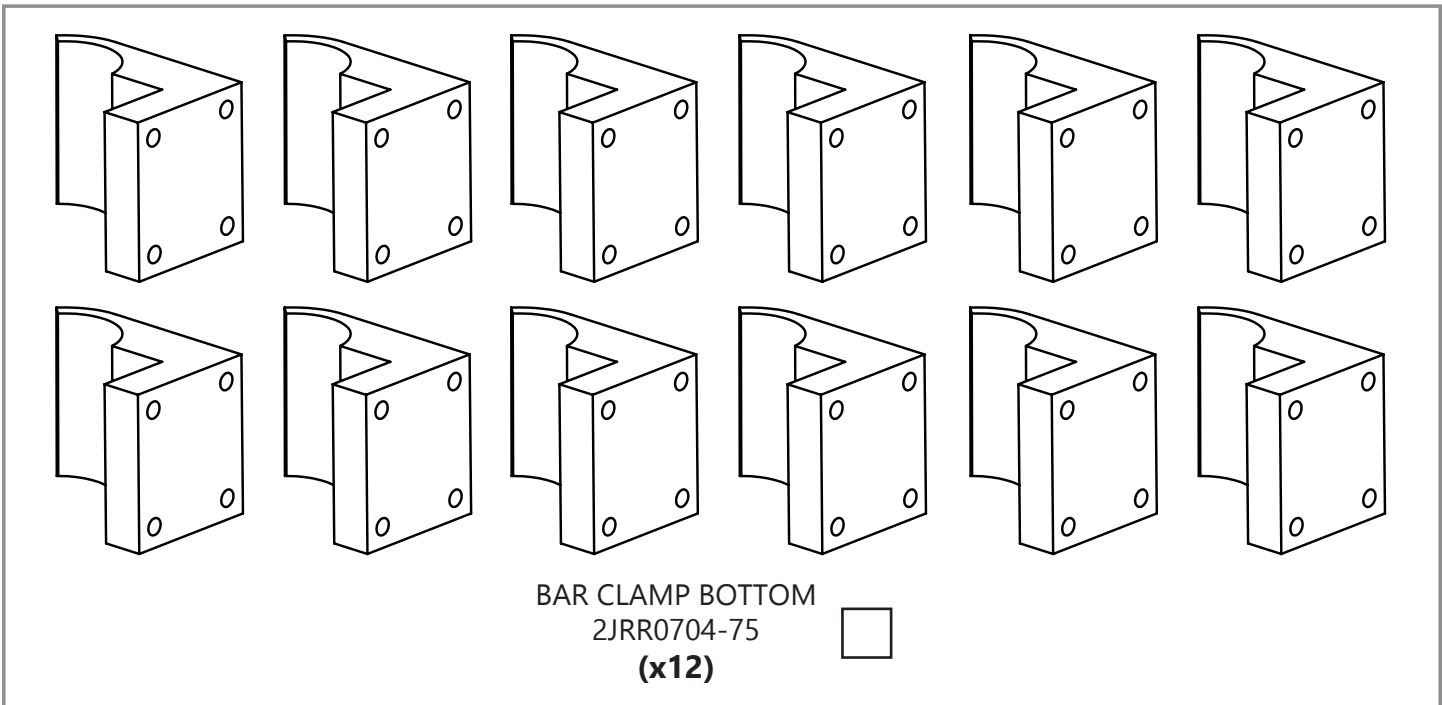
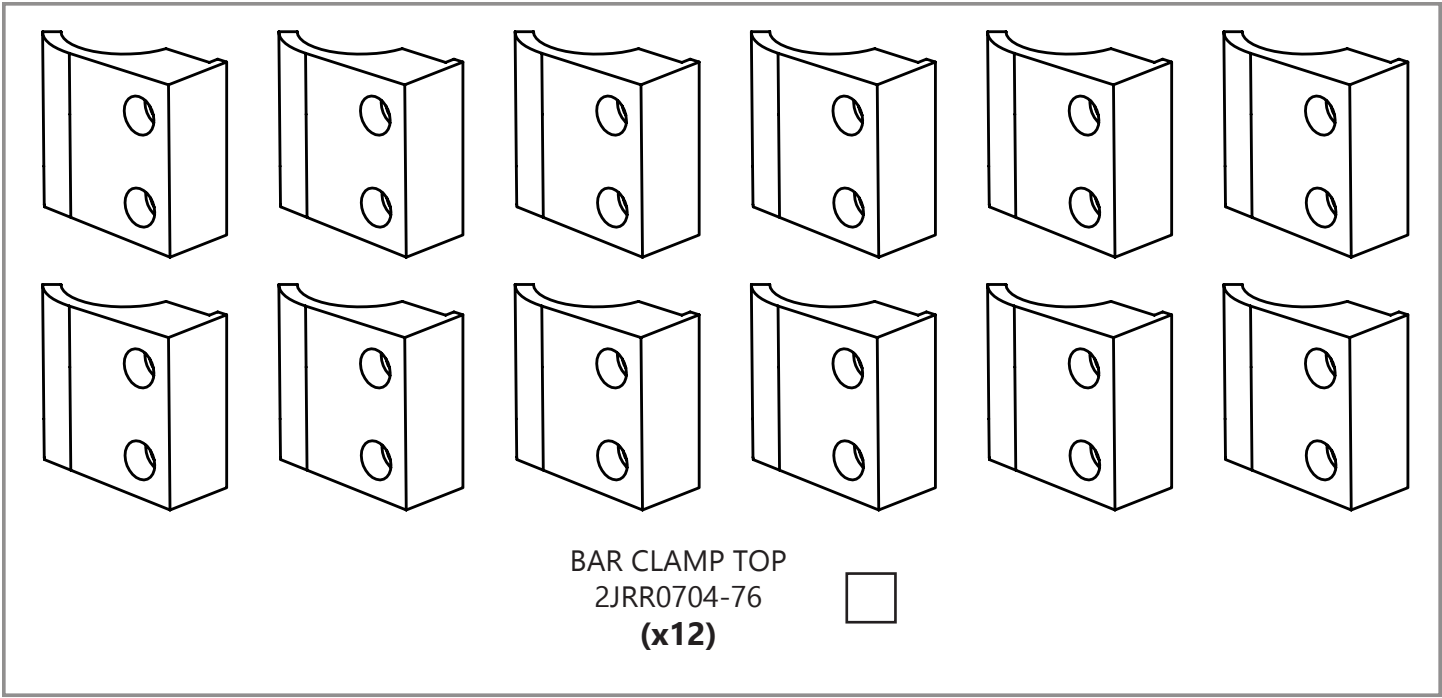
BOLT KIT
(may vary)



BASE RACK CROSS MEMBER WELDMENT
4JCM0796-02

(x6)







JK/JL Jeep
DESTROYER SERIES
ROOF RACK
BASE RACK 4DR LONG
CROSS MEMBER KIT
(6PCS)

BOLT KIT

Packaged by:

On: _____

