



DESTROYER SERIES

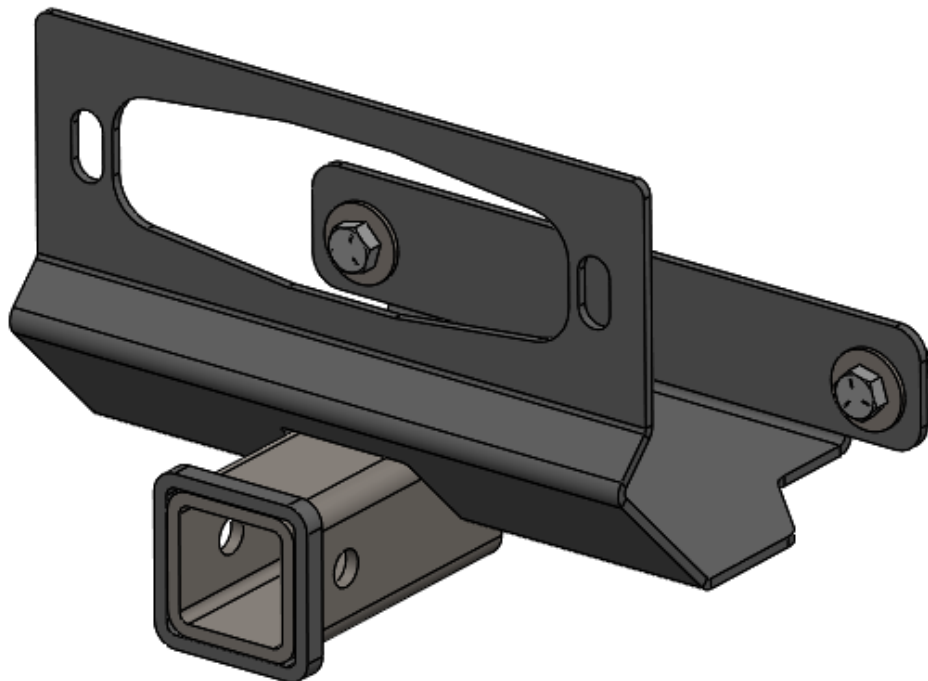
TRUCK

ACCESSORY FRONT HITCH



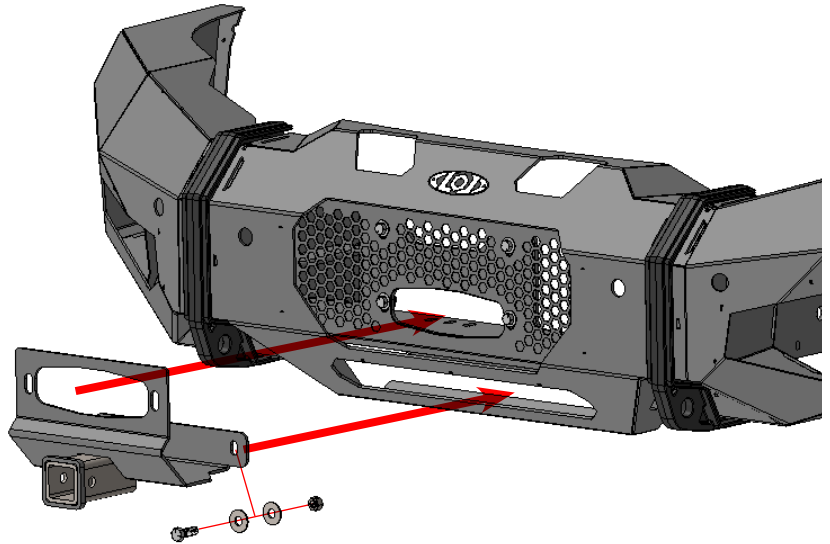
WEB LINK: [http://lodoffroad.com/assets/pdfs/MFH2022 Accessory Front Hitch.pdf](http://lodoffroad.com/assets/pdfs/MFH2022%20Accessory%20Front%20Hitch.pdf)

VERIFY YOU HAVE ALL THE COMPONENTS BEFORE STARTING THE INSTALLATION. REFER TO THE ENGINEERING DRAWINGS AT THE END OF THIS DOCUMENT FOR A COMPLETE PARTS LIST



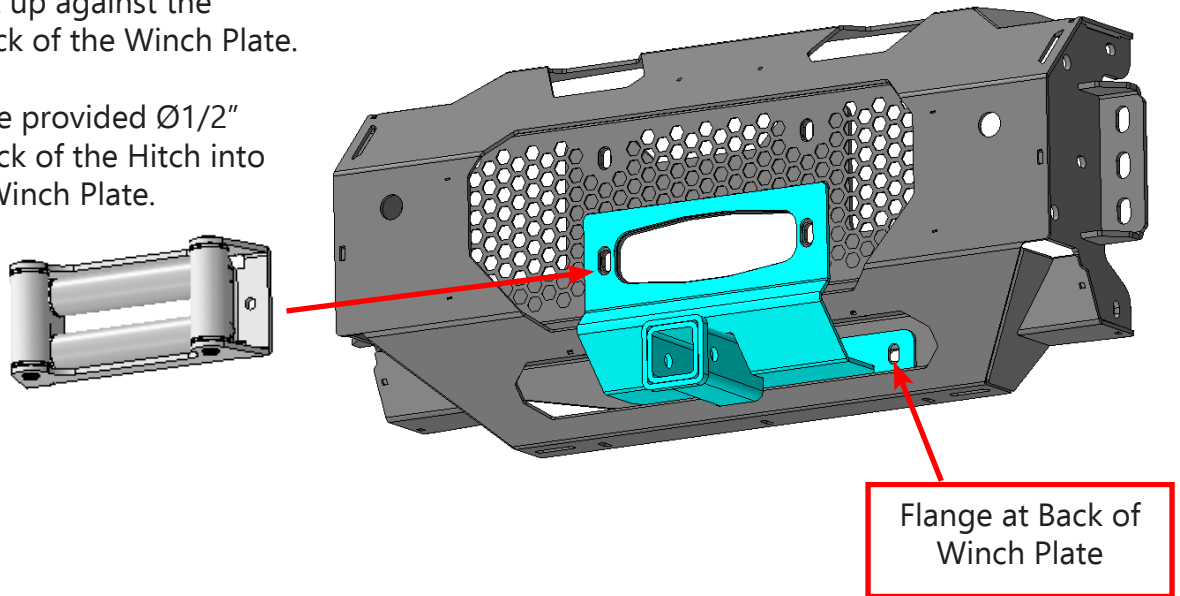
****The Accessory Front Hitch is not rated to be used as a recovery point****

To install the Accessory Front Hitch you must first install the Destroyer Front Bumper and Winch Plate. You will also need to remove the Lower Screen.



To Install the Front Accessory Hitch, the lower portion will fit thru the Lower Screen opening in the Front Bumper and butt up against the flange on the back of the Winch Plate.

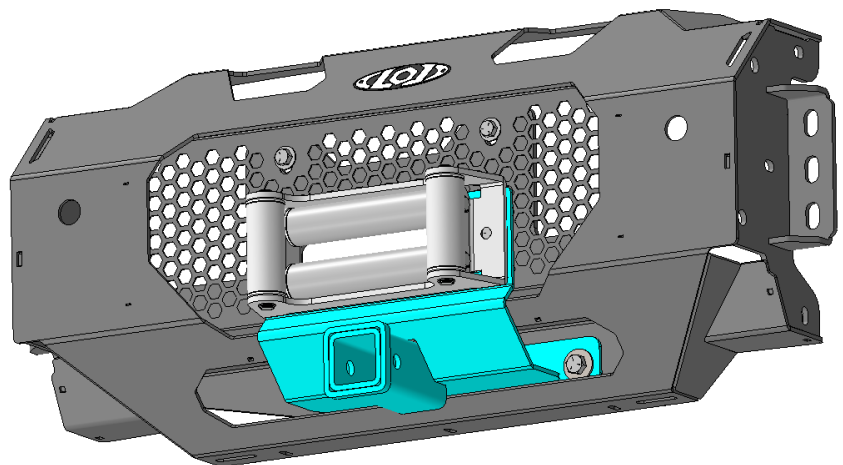
Loosely install the provided $\text{Ø}1/2''$ Bolts thru the back of the Hitch into the back of the Winch Plate.



The Front of the Accessory Hitch will sandwich between the Winch Plate, Screen and the Fairlead for your Winch.

Loosely install your Fairlead, Hitch, and Winch Screen using the provided hardware with your Winch Plate.

Once everything is in position, securely tighten all the bolts.

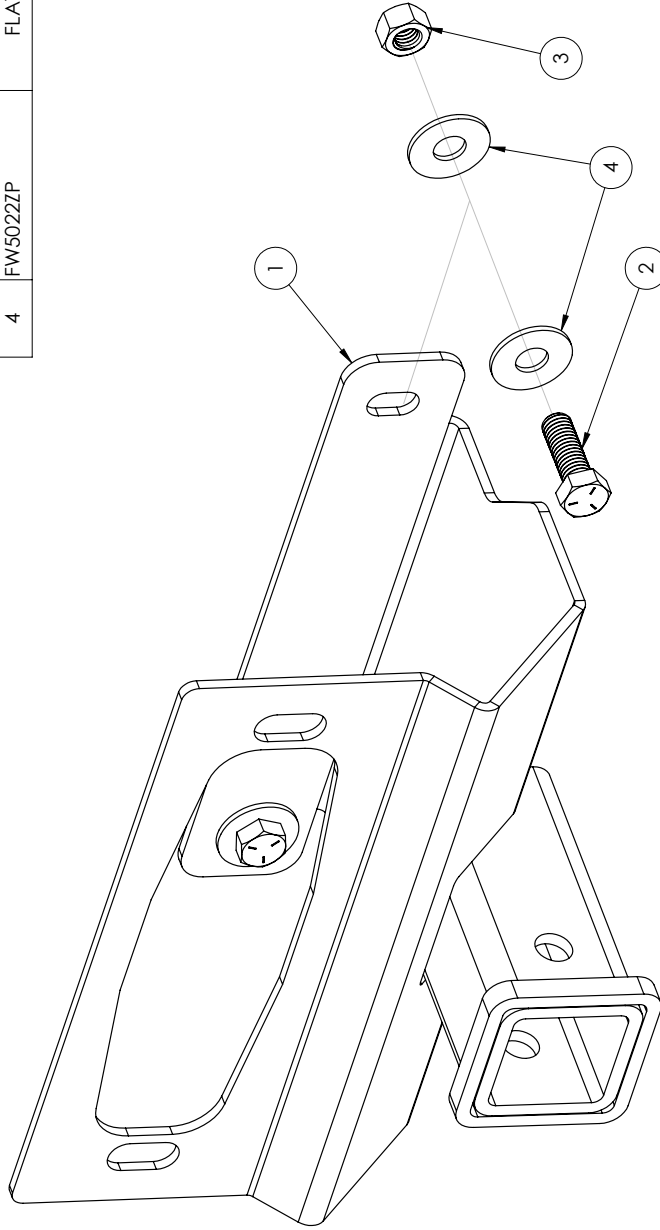


****Maintenance****

- Periodically check and re-tighten all fasteners.
-
- Periodically check your product for scratches, dings, or rust spots which can happen over time or after heavy use. It is important to address these areas as soon as possible to prevent rust and corrosion from spreading. We recommend using Rustoleum® brand Black Semi-Gloss Protective Enamel (oil based). Apply using a foam brush by dabbing to match the powder coat texture.



ITEM NO.	PART NUMBER	DESCRIPTION	QTY.
1	4MFH2020-02	LOWER FRONT HITCH	1
2	HB501324ZPGR5	HEX BOLT 1/2-13 X 1.50 HEX BOLT ZINC PLATE GR5	2
3	HN5013ZPGR5	HEX NUT 1/2-13 ZINC PLATE GR5	2
4	FW5022ZP	FLAT WASHER Ø1/2" X 1.375" ZINC PLATE	4



****NOT RATED FOR RECOVERY****

- NOTES:**
 1. MFH2022 = BARE STEEL
 2. MFH2023 = BLACK POWDER COAT

UNLESS OTHERWISE SPECIFIED:		NAME	DATE
DIMENSIONS ARE IN INCHES	DRAWN	MCH	7/30/2021
TOLERANCES: ±0.010	CHECKED		
ANGULAR: MACH 1°	ENG APPR.		
PERF: ±0.015	MEG APPR.		
THREE PLACE DECIMAL			
PROPRIETARY AND CONFIDENTIAL		MATERIAL:	
THE INFORMATION CONTAINED IN THIS DRAWING IS THE SOLE PROPERTY OF LOD LLC. ANY REPRODUCTION OR TRANSMISSION OF THIS DRAWING WITHOUT THE WRITTEN PERMISSION OF LOD LLC IS PROHIBITED.		N/A	
SEE NOTES		DWG. NO. MFH2022	
ECCO		REV MFH2023	
		SCALE: 1:2	
		SHEET SIZE: B	
		SHEET 1 OF 1	



LOD LLC.

DESCRIPTION:
 2 INCH ACCESSORY HITCH



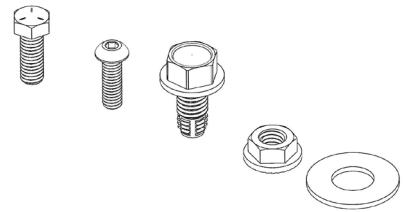
**TRUCK
DESTROYER SERIES
ACCESSORY FRONT HITCH
SHIPPING SHEET**

Packaged by:

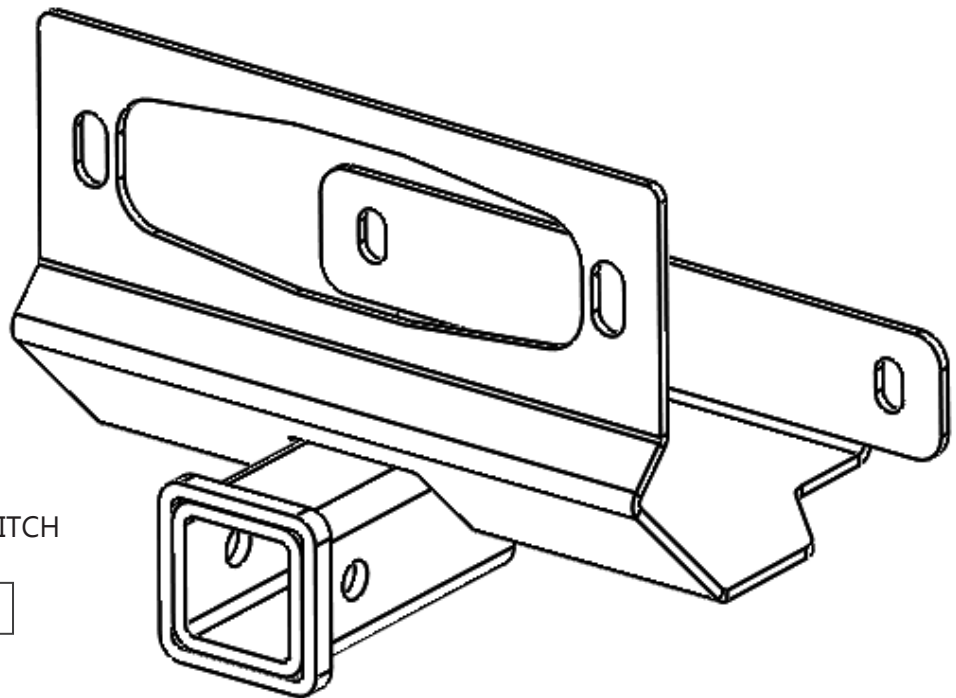
On:



INSTRUCTION
SHEET



BOLT KIT
(may vary)



LOWER FRONT ACCESSORY HITCH
4MFH2020-02

(x1)

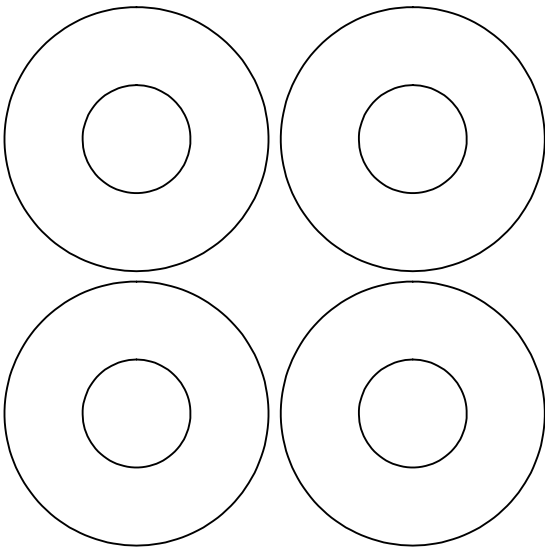




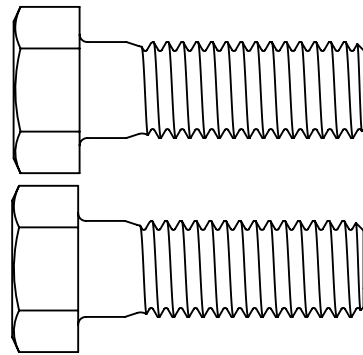
TRUCK
DESTROYER SERIES
ACCESSORY FRONT HITCH

Bolt Kit
Packaged by:

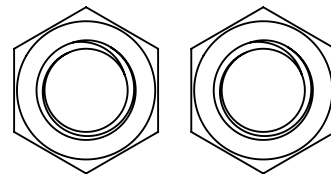
On:



FLAT WASHER
Ø1/2" X 1.375"
(0159681)
(x2)



HEX BOLT 1/2-13 X 1.50"
(0137545)
(x2)



HEX NUT 1/2-13
(0147968)
(x2)

