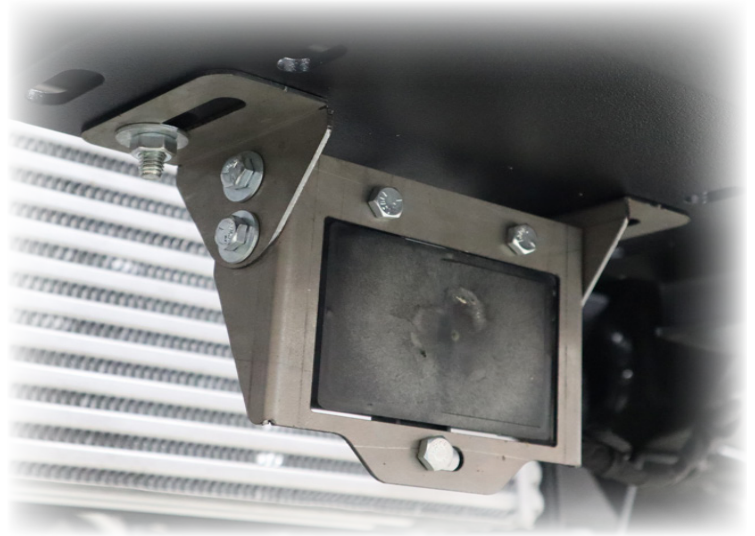




BLACK-OPS SERIES

BRONCO

2021 BRONCO ACC SENSOR
RELOCATION KIT



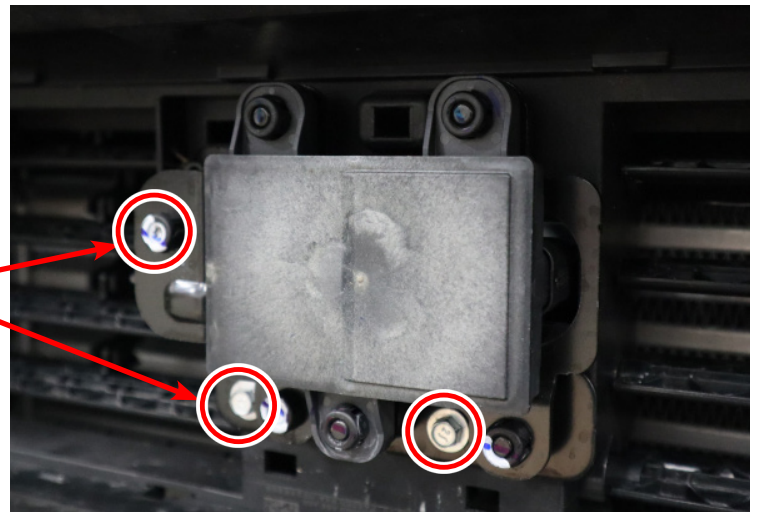
VERIFY YOU HAVE ALL THE COMPONENTS BEFORE STARTING THE INSTALLATION. REFER TO THE ENGINEERING DRAWINGS AT THE END OF THIS DOCUMENT FOR A COMPLETE PARTS LIST

****Special Note****

Be sure to remove your ACC Sensor before installing your LOD front bumper. If you currently have an LOD front bumper, you will need to remove it to complete this installation. This sensor relocation kit is designed to **ONLY** work with the **LOD Black Ops Front Bumper**.

After you have removed the Bronco front bumper, you will see the ACC Sensor (Automatic Cruise Control) mounted on the louver assembly.

Start by removing the 3 screws that mount the ACC Sensor and bracket to the louver assembly.



Next you will remove the entire louver assembly shown here. There are 4 screws that hold this assembly in place.



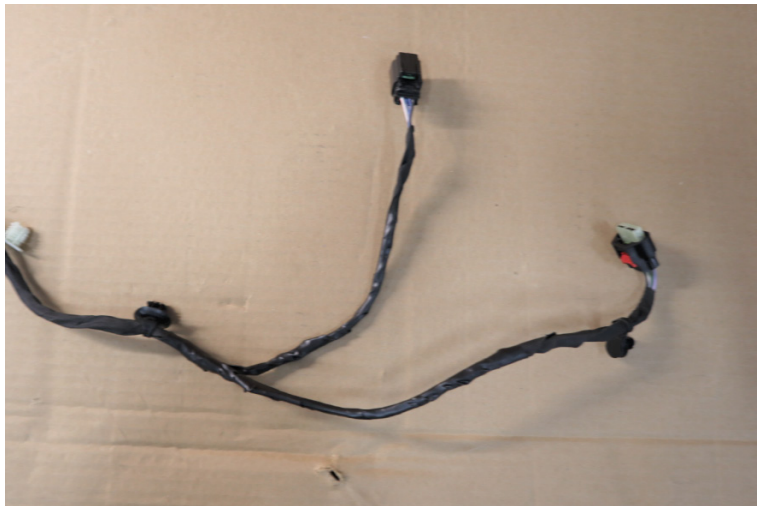
Remove the wire harness from the back side of the louver assembly.



You will need to lengthen the segment that connects to the back of the ACC Sensor. To do this, carefully unwrap the tape on the wire harness about 6 inches as shown here.



Finish by retaping the wire harness with new electrical tape or wire sheath of your choice.



Reinstall the wire harness back into the louver assembly as shown here. Leave the lengthened segment of wire harness hanging down.

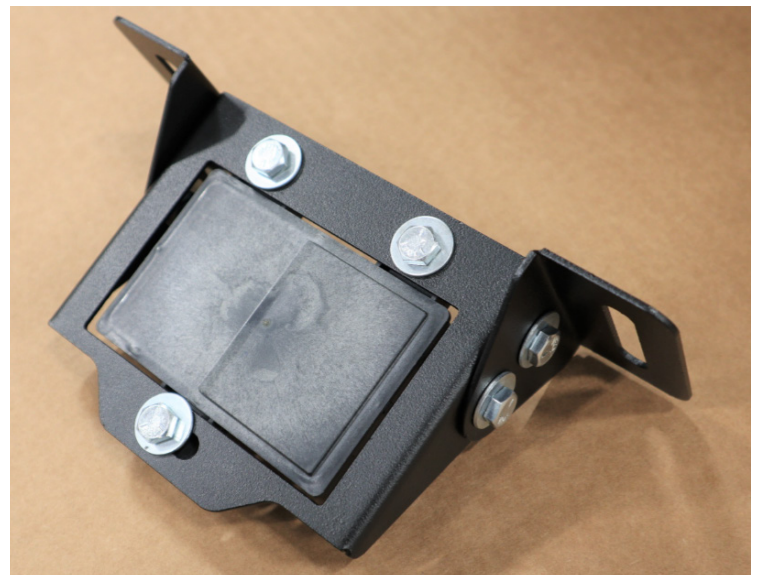


Reinstall the louver assembly back into the Bronco frame. Remove the rubber shroud from the louver assembly. This will allow more room for your winch and also allow more air flow through to the cooler.



Remove the sensor from the stock metal mounting bracket. Use a small pry tool to unsnap the 3 posts.

Install the sensor into the new LOD Acc Sensor Mounting Brackets as shown here.

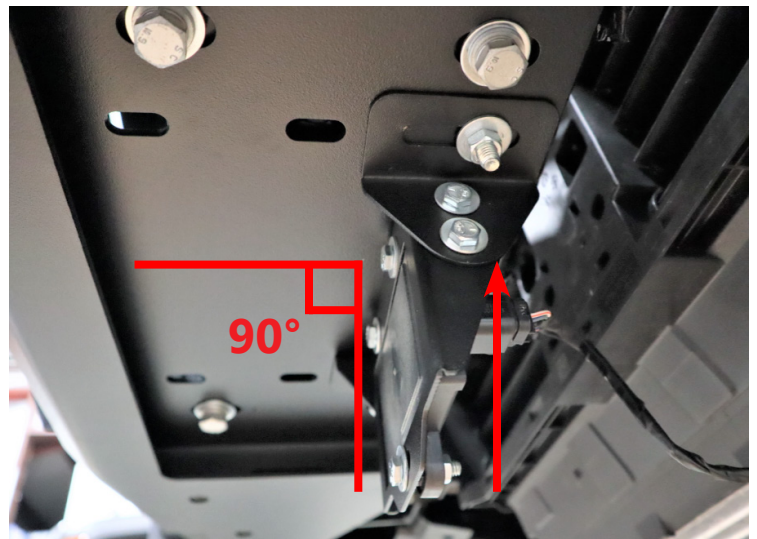


At this time you will need to complete the installation of your LOD front bumper.

Once your bumper is installed, proceed by installing your ACC Sensor and mounting bracket to the bottom side of your bumper as shown here.

Install the sensor and bracket into the rear most mounting holes and lined up with the back of the bumper winch plate.

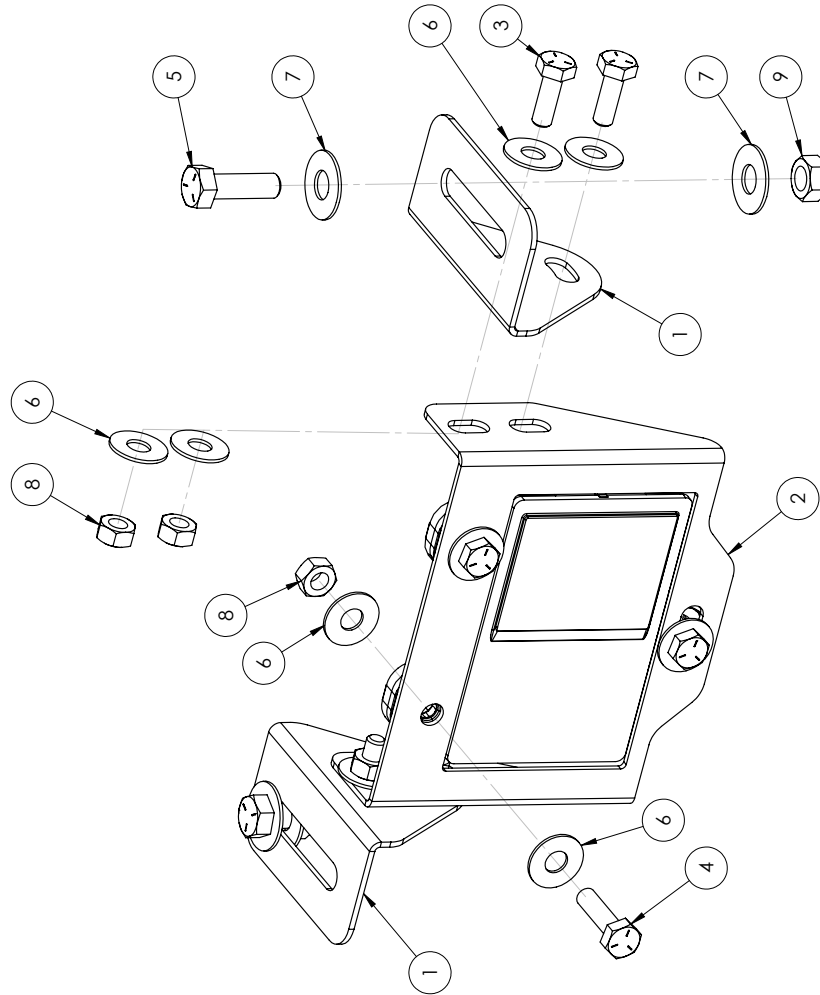
Adjust your sensor bracket so it is perpendicular to the bumper and and raised up as high as it will go.



The installation of the ACC Sensor is now complete. We recommend you test drive your Bronco and test the ACC before installing the front bumper skid plate.

If the ACC Sensor does not function correctly you may need to adjust the tilt of the sensor or lower the sensor slightly.

ITEM NO.	PART NUMBER	DESCRIPTION	QTY.
1	2BAC2100-01	ACC PIVOT BRACKET	2
2	2BAC2100-02	ACC MOUNT PLATE	1
3	HB252012ZPGR5	HEX BOLT 1/4-20 X .75 HEX BOLT ZINC PLATE GR5	4
4	HB252016ZPGR5	HEX BOLT 1/4-20 X 1.00 ZINC PLATE GR5	3
5	HB311816ZPGR5	HEX BOLT 5/16-18 X 1.00 ZINC PLATE GR5	2
6	FW2512ZP	FLAT WASHER Ø1 1/4" X .75 ZINC PLATE	14
7	FW3114ZP	FLAT WASHER Ø5/16" X .875" ZINC PLATE	4
8	HN2520ZPGR5	HEX NUT 1/4-20 ZINC PLATED GR5	7
9	HN3118ZPGR5	HEX NUT 5/16-18 ZINC PLATE GR5	2



NOTES:
 1. BAC2100 = BARE STEEL OPTION
 2. BAC2101 = BLACK POWDER COAT

UNLESS OTHERWISE SPECIFIED:		NAME	DATE
DIMENSIONS ARE IN INCHES		MCH	12/29/2021
TOLERANCES: ±0.010		DRAWN	
ANGULAR: MACH 1°		CHECKED	
TWO PLACE DECIMAL		ENG APPR.	
THREE PLACE DECIMAL		MFG APPR.	
MATERIAL:		LOD LLC.	
N/A		DESCRIPTION:	
PROPRIETARY AND CONFIDENTIAL		2021 BRONCO ACC SENSOR	
THE INFORMATION CONTAINED IN THIS DRAWING IS THE SOLE PROPERTY OF LOD LLC. ANY REPRODUCTION IN PART OR AS A WHOLE WITHOUT THE WRITTEN PERMISSION OF LOD LLC IS PROHIBITED.		RELOCATION KIT	
FINISH:		DWG. NO. BAC2100	
SEE NOTES		BAC2101	
REV		REV	
A		A	
SCALE: 1:1.5		SHEET SIZE: B	
		SHEET 1 OF 1	

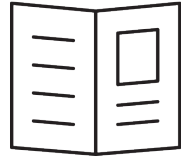




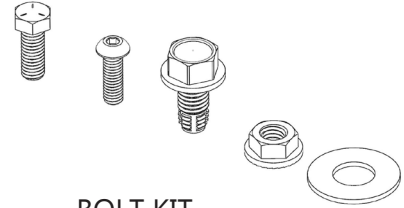
BRONCO
BLACK-OPS SERIES
2021 BRONCO ACC SENSOR
RELOCATION KIT
SHIPPING SHEET

Packaged by:

On:



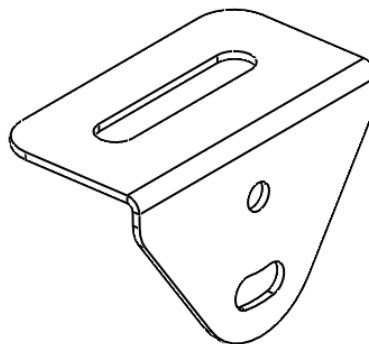
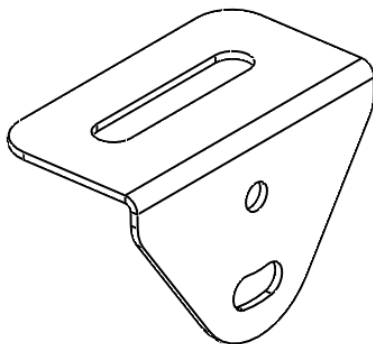
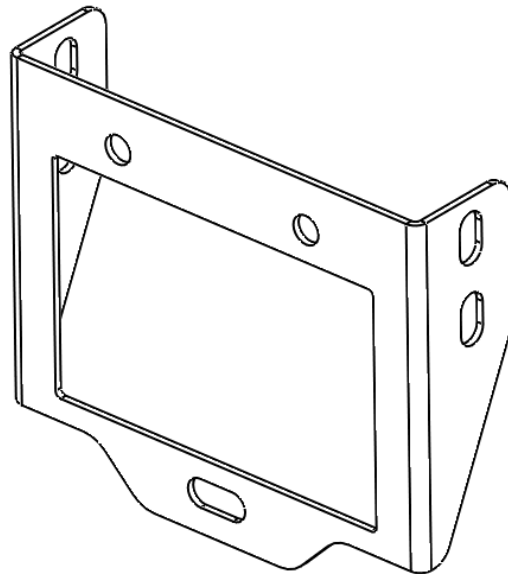
INSTRUCTION
SHEET



BOLT KIT
(x1)



ACC MOUNT PLATE
2BAC2100-02
(x1)



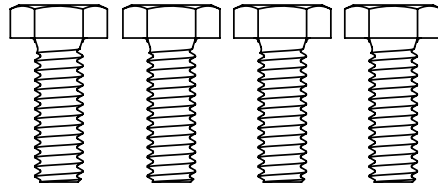
ACC PIVOT BRACKET
2BAC2100-01
(x2)



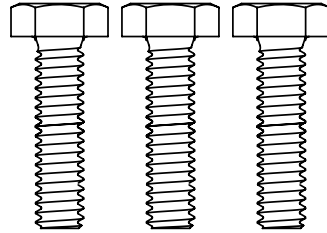


BRONCO
BLACK-OPS SERIES
 2021 BRONCO ACC SENSOR
 RELOCATION KIT
 Bolt Kit
 Packaged by:

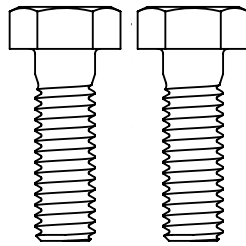
On: _____



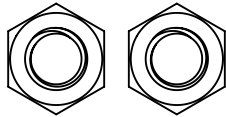
HEX BOLT
 1/4-20 X .75" LG
 (0137486)
(x4)



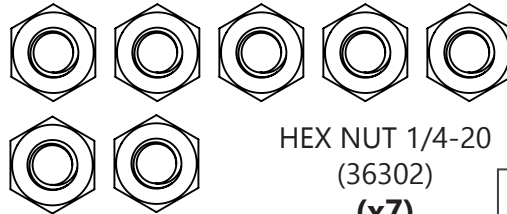
HEX BOLT
 1/4-20 X 1.00" LG
 (0137488)
(x3)



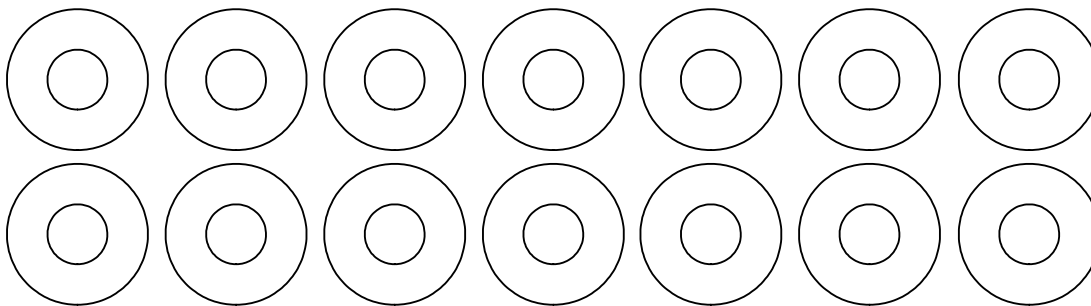
HEX BOLT
 5/16-18 X 1.00" LG
 (0137498)
(x2)



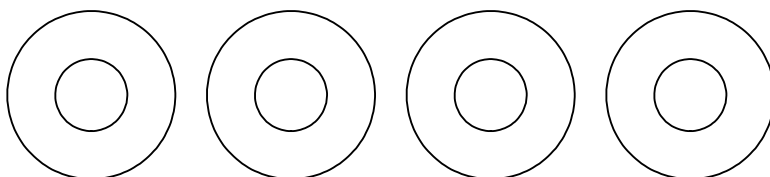
HEX NUT 5/16-18
 (36304)
(x2)



HEX NUT 1/4-20
 (36302)
(x7)



FLAT WASHER
 Ø1/4" X .75"
 (0159677)
(x4)



FLAT WASHER
 Ø5/16" X .875"
 (0159678)
(x4)

