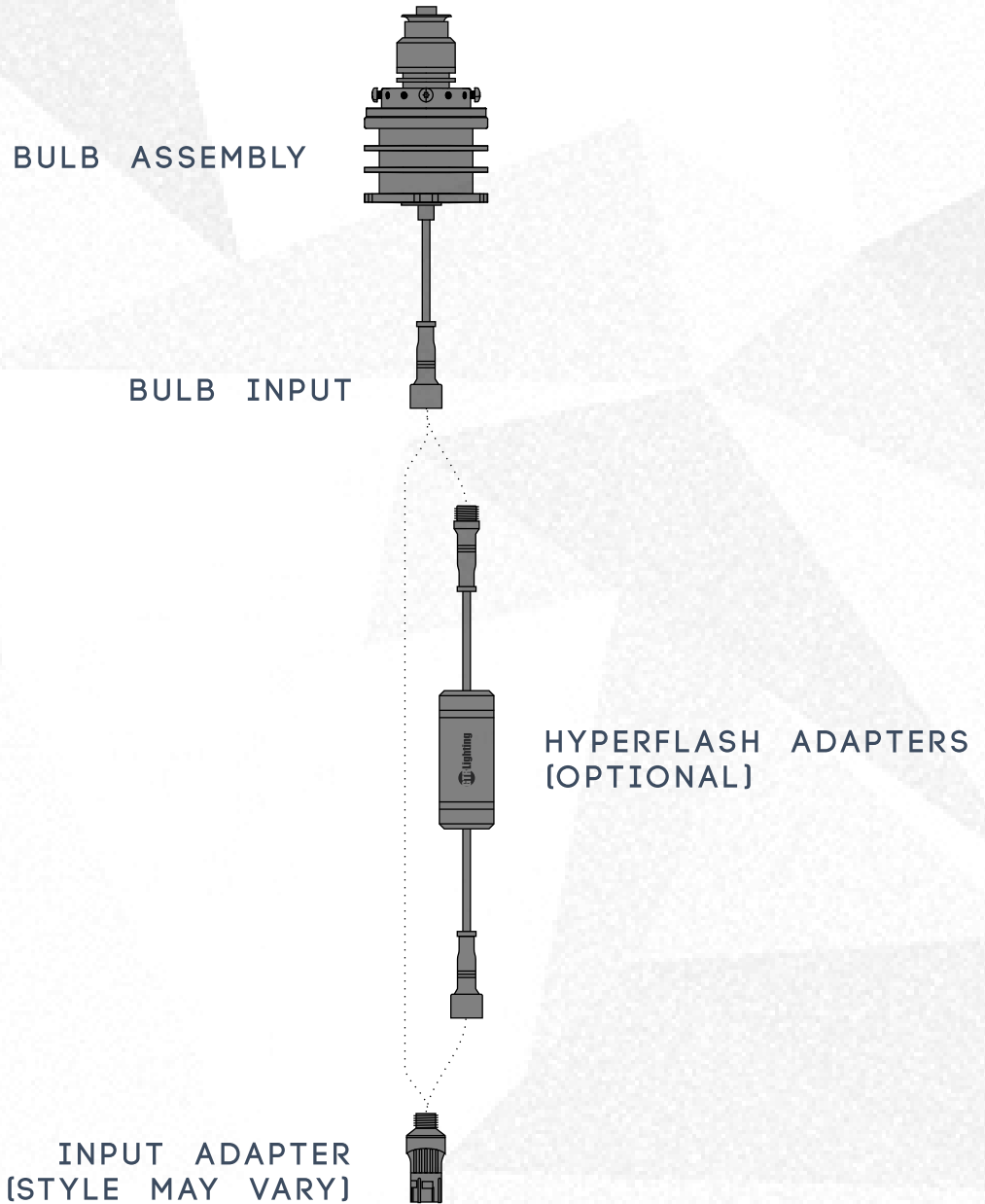


ULTRA I-LED

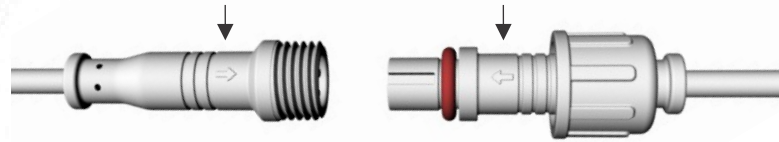
INSTALL GUIDE

WARNING: By reading this document, you agree it is only to be used as an educational guide. GTR Lighting nor its distributors make guarantees on any finished results, nor are they to be held responsible for any damage, misuse, or personal injuries. Use at your own risk. If you are unable to clearly understand and adapt the information below, professional installation is recommended.

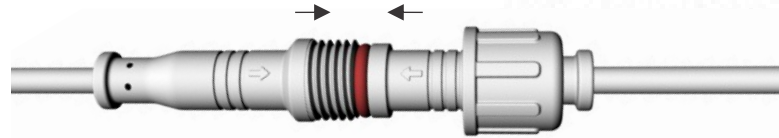


ASSEMBLY & INSTALLATION

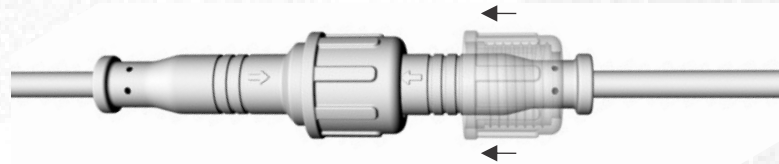
1. ALIGN THE ARROWS ON THE CONNECTORS TO ENSURE PROPER ORIENTATION. INCORRECT ORIENTATION MAY CAUSE DAMAGE!



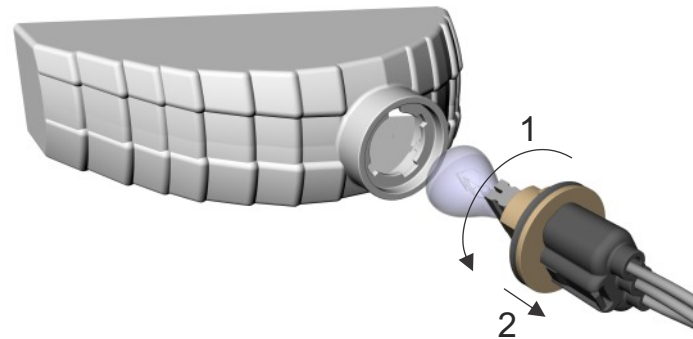
2. PRESS THE CONNECTORS TOGETHER SNUGLY.



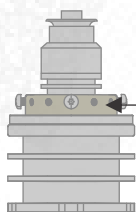
3. SLIDE THE THREADED COVER OVER THE CONNECTION AND TIGHTEN SNUGLY. DO NOT OVERTIGHTEN AS DAMAGE MAY RESULT!



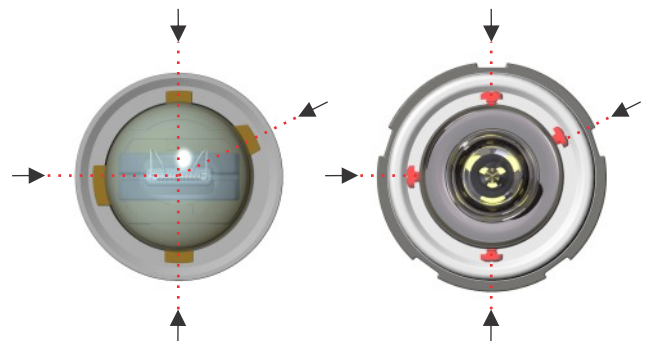
4. REMOVE THE FACTORY BULB HOLDER BY ROTATING IT COUNTERCLOCKWISE AND BACKING IT OUT OF THE ASSEMBLY.



5. WHEN FITTING SCREWS, MATCH THE TABS OF THE BULB HOLDER IT WILL REPLACE. THIS ALLOWS THE I-LED BULB TO FIT LIKE STOCK AND WITHOUT NEEDING TO MODIFY THE HOUSING OR SOCKET.



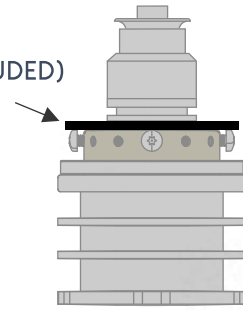
REMOVABLE COLLAR
(REMOVE FOR 7440 + 7443)



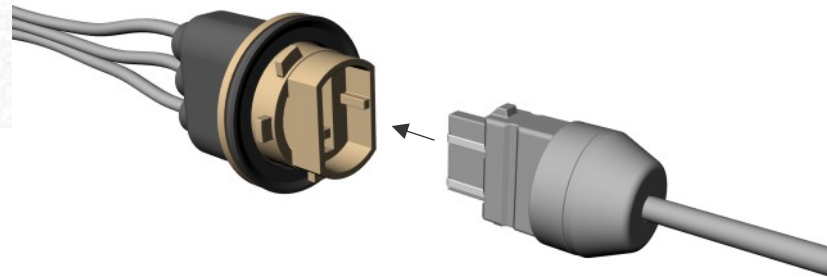
6. SLIDE THE PROVIDED SILICONE GASKETS OVER THE TIP OF THE BULB AND ATOP THE SCREWS.

NOTE: TWO (2) SMALLER T20 AND TWO (2) LARGER T25 GASKETS ARE PROVIDED. CHOOSE THE GASKET SIZE THAT ALLOWS FOR A FIRM SEAL WHEN LOCKED INTO THE BACK OF THE HOUSING.

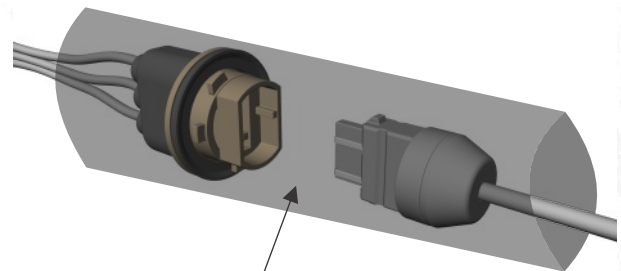
SILICONE GASKET (INCLUDED)



7. PLUG THE BULB INPUT INTO THE FACTORY BULB HOLDER. TEST THE BULB. IF THE BULB FAILS TO LIGHT, UNPLUG THIS CONNECTION, FLIP THE CONNECTOR OVER, AND RE-INSERT.



8. ONCE CONNECTED, SLIDE THE PROVIDED HEAT-SHRINK TUBING OVER THE ENTIRE CONNECTION AND HEAT APPROPRIATELY TO SEAL.



HEAT-SHRINK TUBING (INCLUDED)

9. FIT THE ASSEMBLED BULB INTO THE STOCK ASSEMBLY, USING THE SCREWS IN PLACE OF THE TABS THAT RETAINED THE STOCK BULB HOLDER. THIS COMPLETES THE INSTALLATION PROCESS.

-END-