

TJM PRO SERIES AIRLINE KIT.

PRODUCT INFORMATION



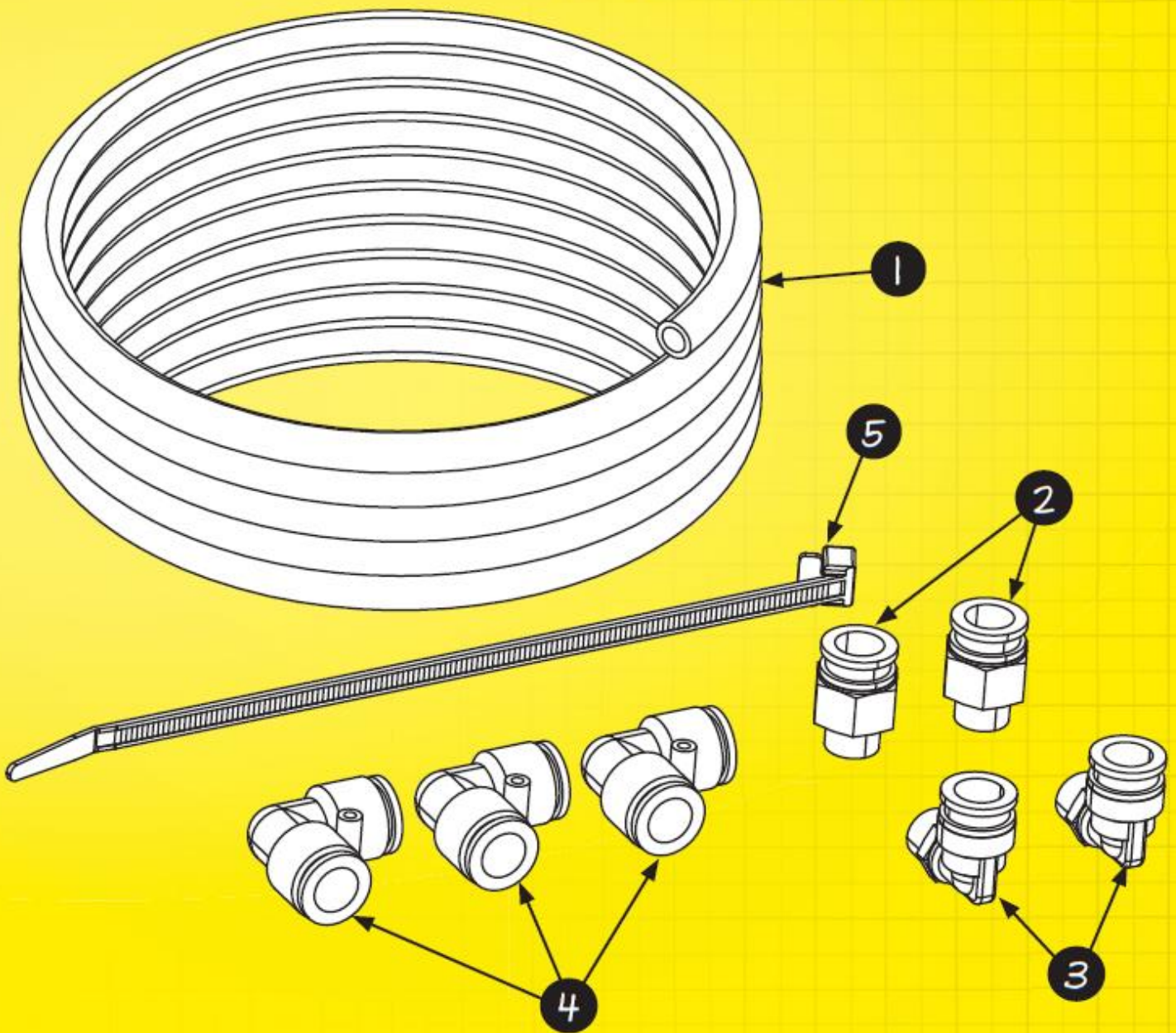
TAKE THE LEAD.

Facebook Instagram YouTube TJM4x4 | www.tjm.com.au

TJM
4X4 EQUIPPED

TJM PRO SERIES AIRLINE KIT

Whether you've just added the TJM Pro Series Air Tank to your rig or you'd like to mount your kit in a more suitable location, the TJM Airline Kit is exactly what you've been waiting for. With all the necessary parts you need to hardwire your onboard air system from your compressor to your air tank, you'll no longer be limited to specific mounting locations. The kit also comes with everything you need, including the necessary adapters and fittings to connect the Pro Series Air Compressor with the Pro Series Air Tank, and 3m of pneumatic tubing to suit most applications.



Included in kit

Item	Description	Qty.
1	Nylon pneumatic tube 12mm OD - (length - 3m)	1
2	Straight - male 1/4" BSPT push-in fitting - 12mm OD	2
3	90° Push-in fitting elbow 1/4" BSPT - 12mm OD	2
4	90° Push-in fitting corner - 12mm OD	3
5	Cable tie - 300mm	10

Important

Maximum working pressure is 150 psi (1034 kPa).

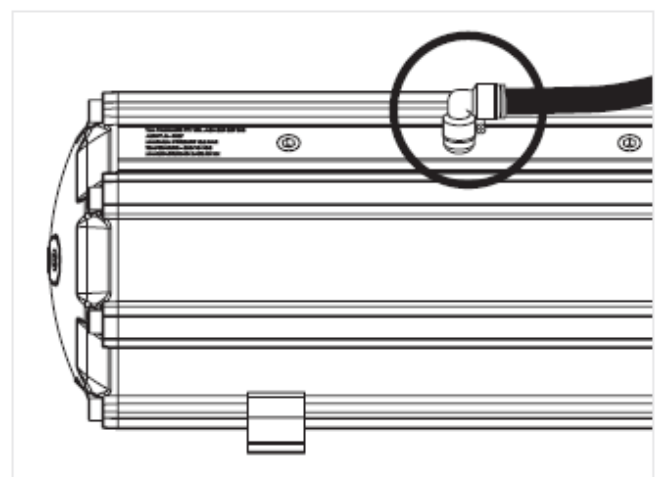
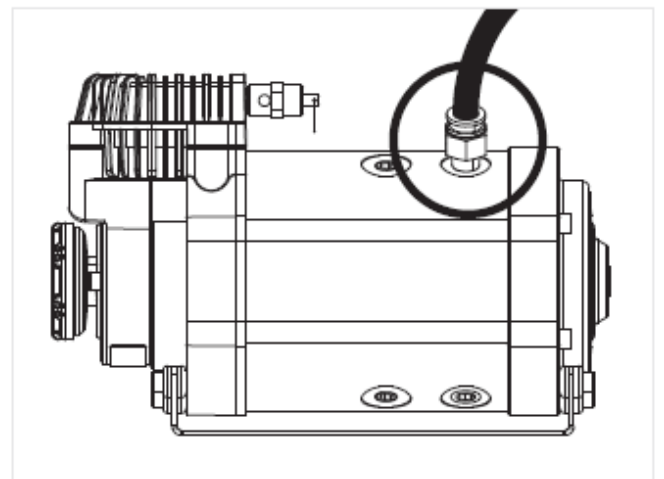
Cut tubes with a proper tube cutter.

Use Teflon paste or tape at all threaded connections.

Check all connections for leaks with soapy water after installation.

Installation

1. Install either Straight or 90°elbow fitting to an appropriate port to compressor & air tank.
2. Insert end of tube into one of the fittings installed in the previous step.
3. Route tube as required avoiding kinking tube, sharp edges & hot surfaces.
4. Trim tube & install 90° elbow push fitting as required.
5. Insert end of tube into other fitting installed in step 1.
6. Pressurise system & check for leaks.
7. If no leaks, secure tube & 90° elbow fitting with cable ties.



TJM Pro Series Airline Kit is compatible with

- TJM Pro Series Single Compressor
- TJM Pro Series Twin Compressor
- TJM Pro Series Air tank

Spare parts available separately

- 013COMPTC Nylon Tube Cutter
- 013COMP90EPFBE - 12mm OD 90° Elbow Push Fitting
- 013COMP90PIEF - 12mm OD 90° Elbow Push Fitting with 1/4" BSPT Thread
- 013COMPSMPF - 12mm OD Straight Push Fitting with 1/4" BSPT Thread

BLOW AWAY THE CHASING PACK.

TJM Pro Series air compressors deliver blazing fast inflation speeds thanks to their advanced componentry and innovative convection cooling systems, making them the perfect partner to a TJM Pro Series Air Tank.

TJM Pro Series
Twin Compressor

170
170 LITRES
PER MINUTE

86
86 LITRES
PER MINUTE

TJM Pro Series
Air tank



TJM Pro Series
Single Compressor

TJM Pro Series
Airline Kit



Distributed by TJM Australia
17 Johnstone Road Brendale Australia 4500

