

6L80-PR-OS *REQUIRES 6L80-PR-TK*

Oversized Pressure Regulator Valve

Fits: 2006 - On 6L45 thru 6L90

FOR HIGH MILEAGE VEHICLES. Engineered with longer valve lands for increased durability and longevity. New PR spring delivers increased line pressure to compensate for warp and wear. After reaming, just drop it in and you're done. No other drilling or plugging required.

Step 1.

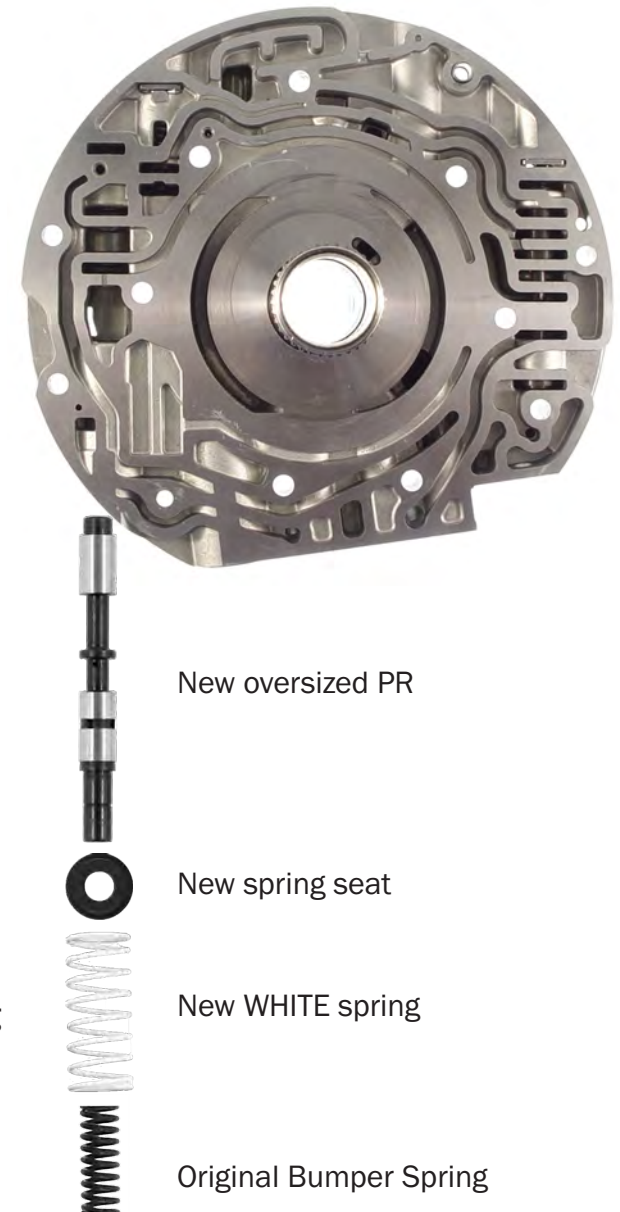
Remove and discard original PR valve and spring. Install reamer into the guide then the assembly into the bore. Ream the entire PR valve bore slowly using plenty of WD-40



Note: Assembly should look like this when installing into the bore.

Step 2.

Install new oversized PR valve, spring seat, white spring and original bumper spring.



New oversized PR

New spring seat

New WHITE spring

Original Bumper Spring