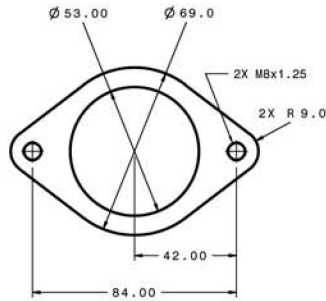
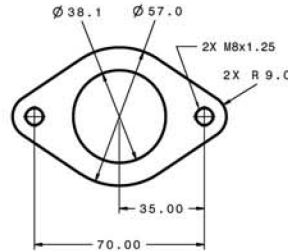


GT2860R

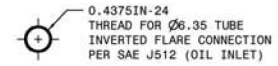
02 Compressor Inlet



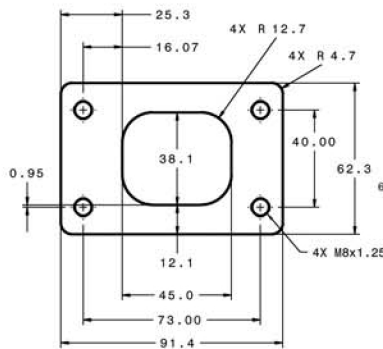
01 Compressor Outlet



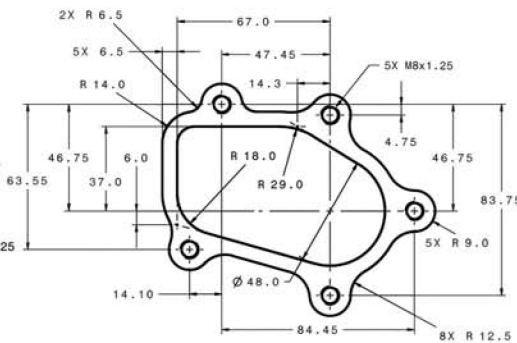
11 Oil Inlet



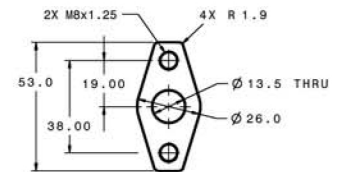
02 Turbine Inlet
"T25 WITH STUDS"



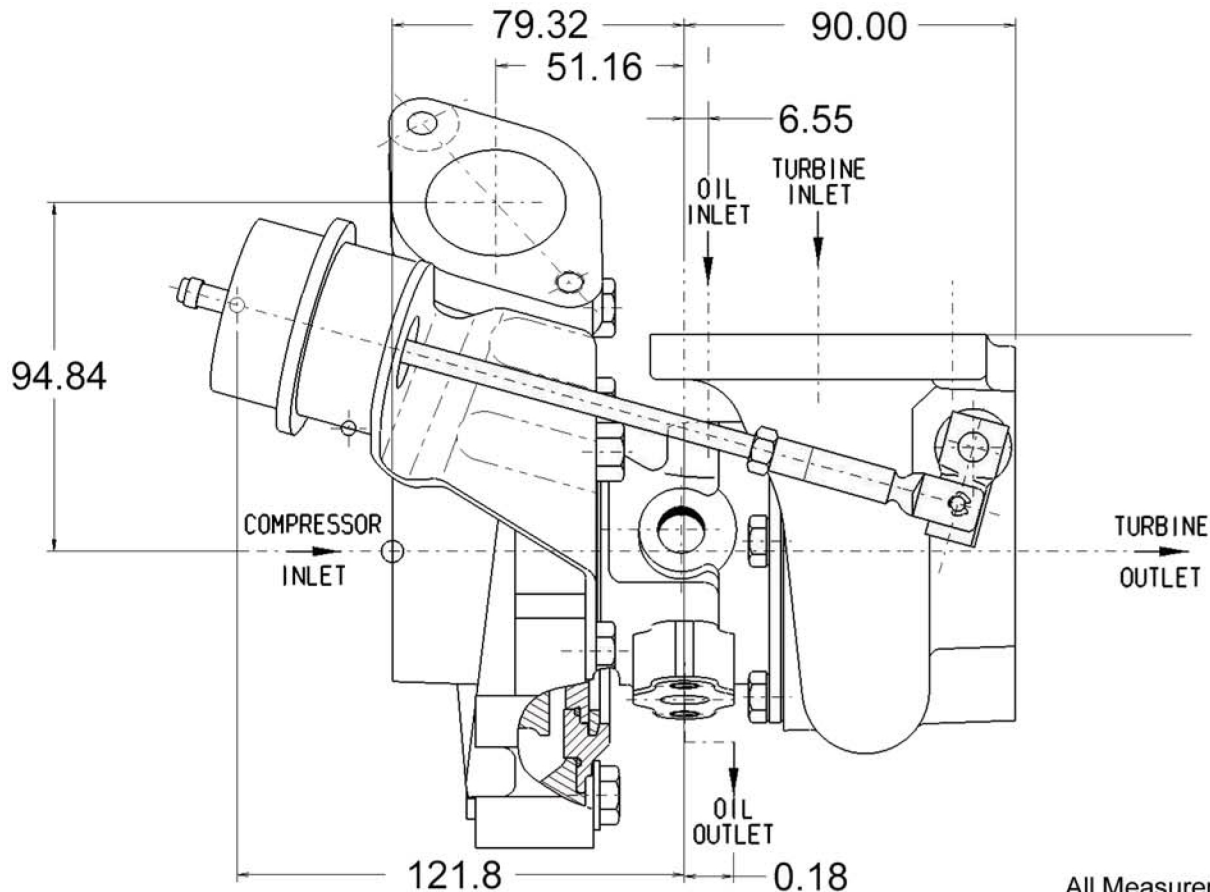
09 Turbine Outlet
"5 BOLT"



18 Oil Outlet



13 Water
M14 x 1.50



All Measurements in MM