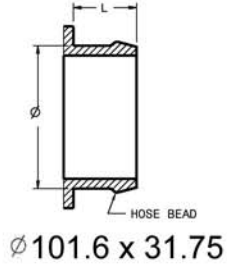
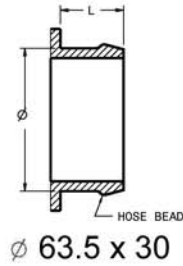


Honeywell Garrett® GT3582R

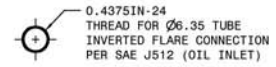
33 Compressor Inlet
HOSE CONNECTIONS
TABULATED AS (Ø x L)



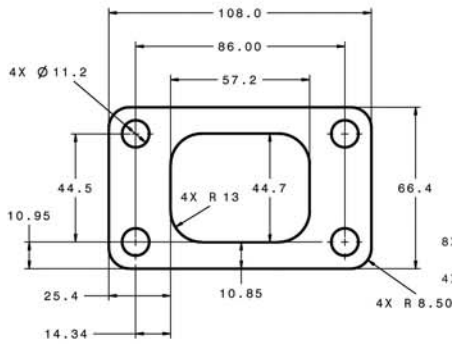
24 Compressor Outlet
HOSE CONNECTIONS
TABULATED AS (Ø x L)



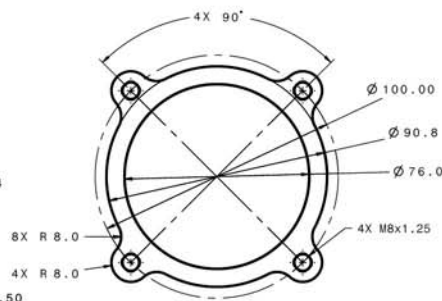
11 Oil Inlet



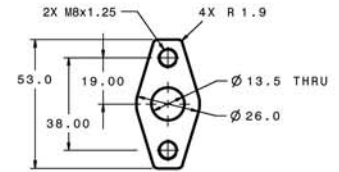
04 Turbine Inlet
"T3" PN740902-4, 5, 6, 10, 11, 12



07 Turbine Outlet
"3-INCH 4 BOLT" PN740902-4, 5, 6

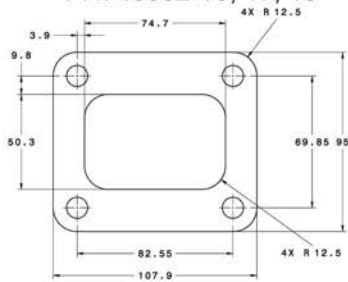


18 Oil Outlet

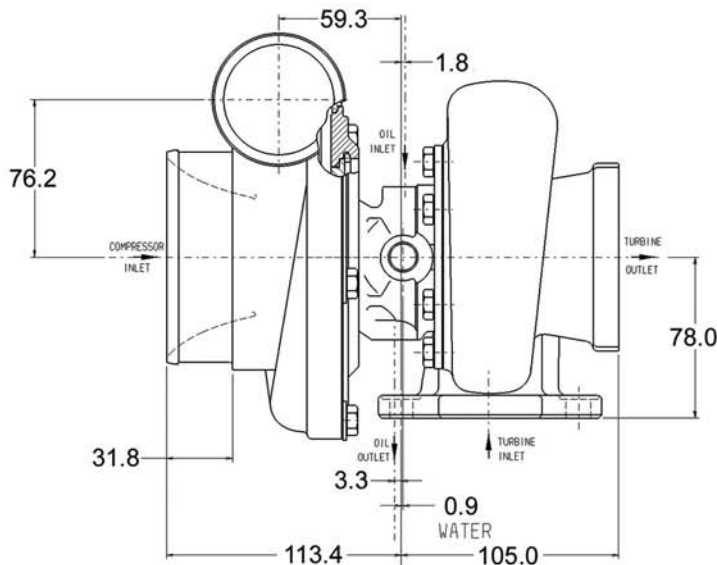
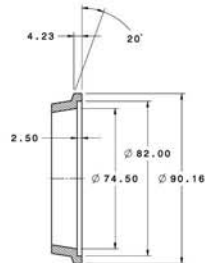


13 Water
M14 x 1.50

"T4 UNDIVIDED" PN740902-16, 17, 18



PN740902-10, 11, 12, 13, 14, 15, 16



All Measurements in MM