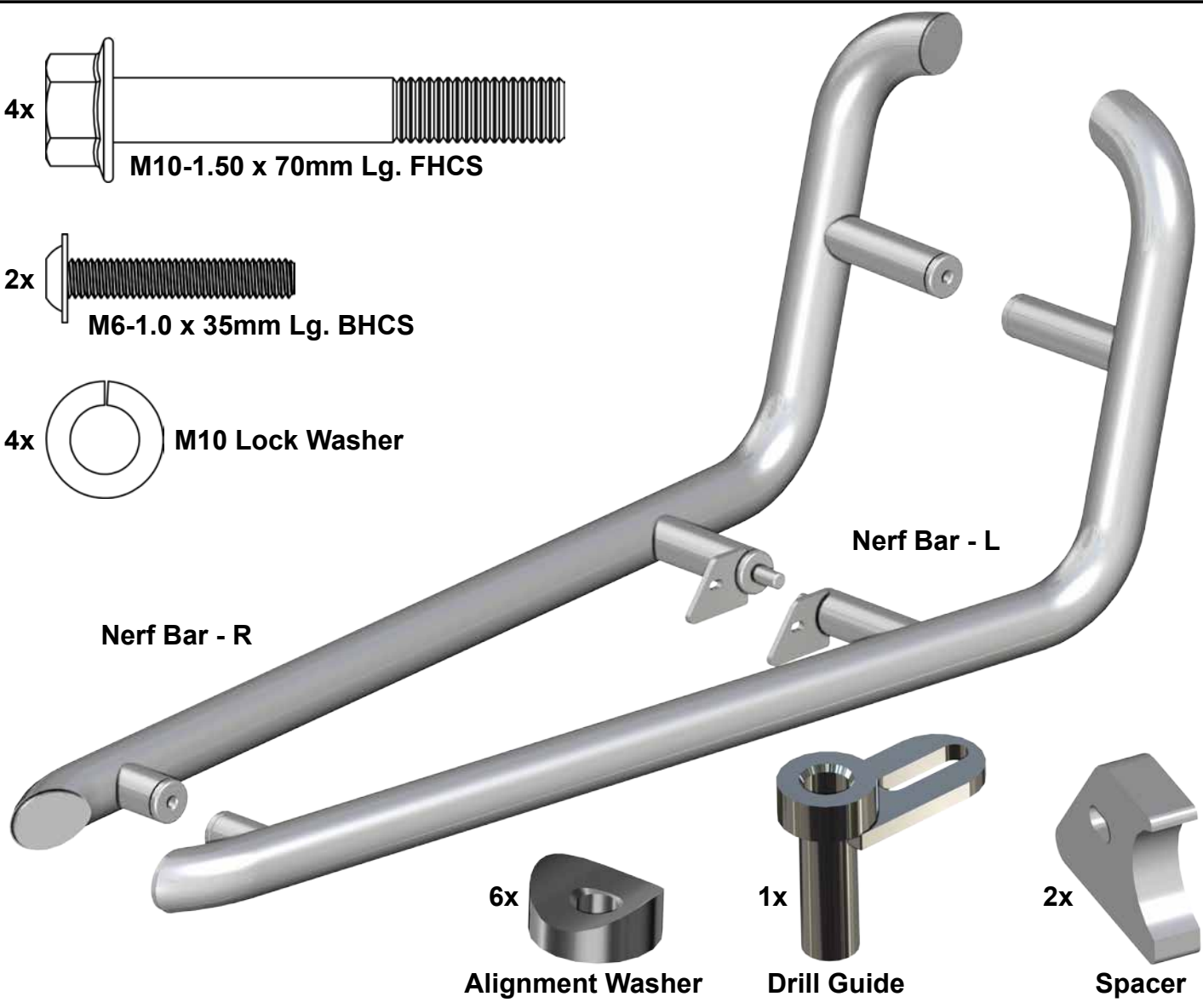
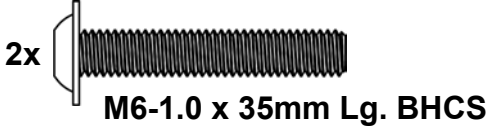
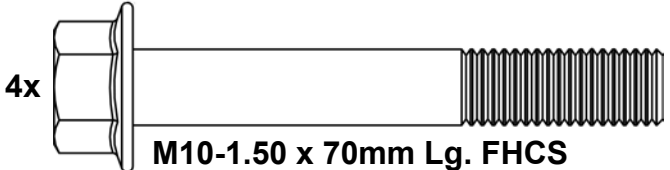


**INSTALLATION INSTRUCTIONS**  
**Nerf Bars: Polaris® General™ Polaris RZR® 900/1000**



*Depending on model, some components will not be used.*

**Read instructions and view illustrations before beginning.**

**Need help with your installation?**

 [sales@superatv.com](mailto:sales@superatv.com)       [www.superatv.com](http://www.superatv.com)

 1-812-574-7777       8:00am - 9:00pm EST M-Th  
 8:00am - 7:00pm EST Friday  
 9:00am - 2:00pm EST Saturday

*Thank You*  
*For Choosing*  
**SUPERATV**.COM

**Liability Statement**  
 SuperATV's® products are designed to best fit user's ATV/UTV under stock conditions. Adding, modifying, or fabricating any factory or aftermarket parts will void any warranty provided by SuperATV® and is not recommended. SuperATV's® products could interfere with other aftermarket accessories. If user has aftermarket products on machine, contact SuperATV® to verify that they will work together.

Although SuperATV® has thousands of satisfied customers, user should be aware that installing lift kits, long travel, or suspension kits, tires, etc. will change the ride of machine and may increase maintenance and part wear. Operating any off-road machine while, or after, consuming alcohol and/or drugs increases risk of bodily harm or death. No warranty or representation is made as to this product's ability to protect user from severe injury or death. SuperATV® urges operators and occupants to wear a helmet and appropriate riding gear at all times.

By purchasing and installing SuperATV® products, user agrees that should damages occur, SuperATV® will not be held responsible for loss of time, use, labor fees, replacement parts, or freight charges. SuperATV®, nor any 3rd party, will not be held responsible for any direct, indirect, incidental, special, or consequential damages that result from any product purchased from SuperATV®. The total liability of seller to user for all damages, losses, and causes of action, if any, shall not exceed the total purchase price paid for the product that gave rise to the claim.

SuperATV® will warranty only parts provided by SuperATV®. Any damage or problems with OEM housings, bearings, seals, or other manufacturers' products will not be covered by SuperATV®. SuperATV® parts and products are not warranted if item was not installed properly, misused, or modified.

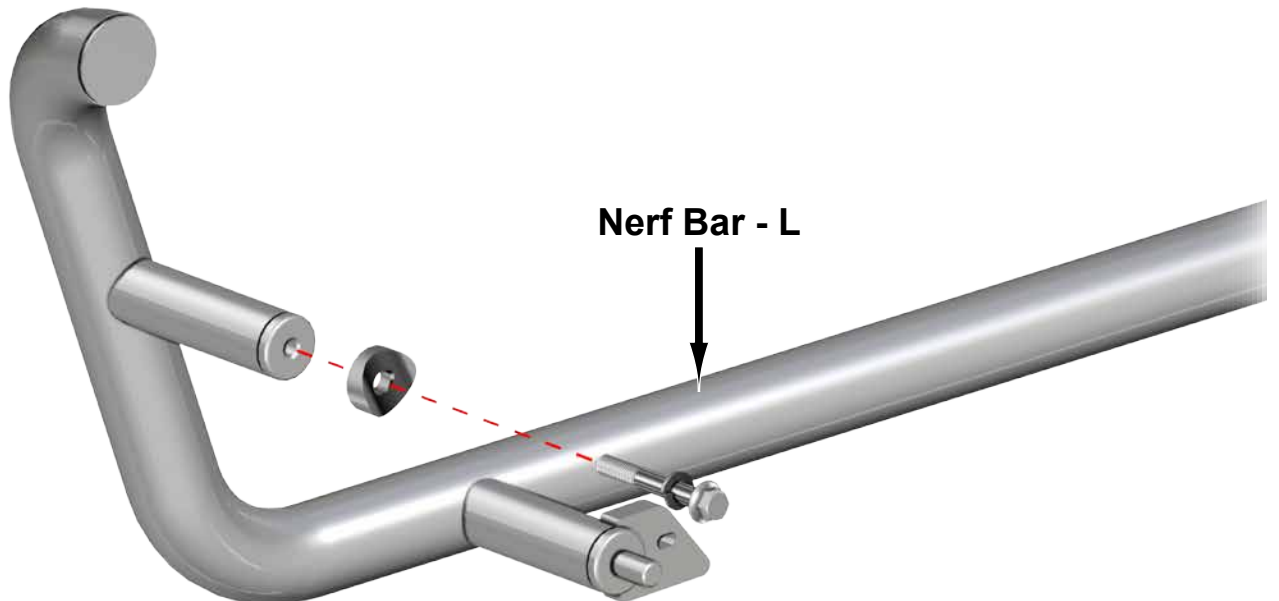
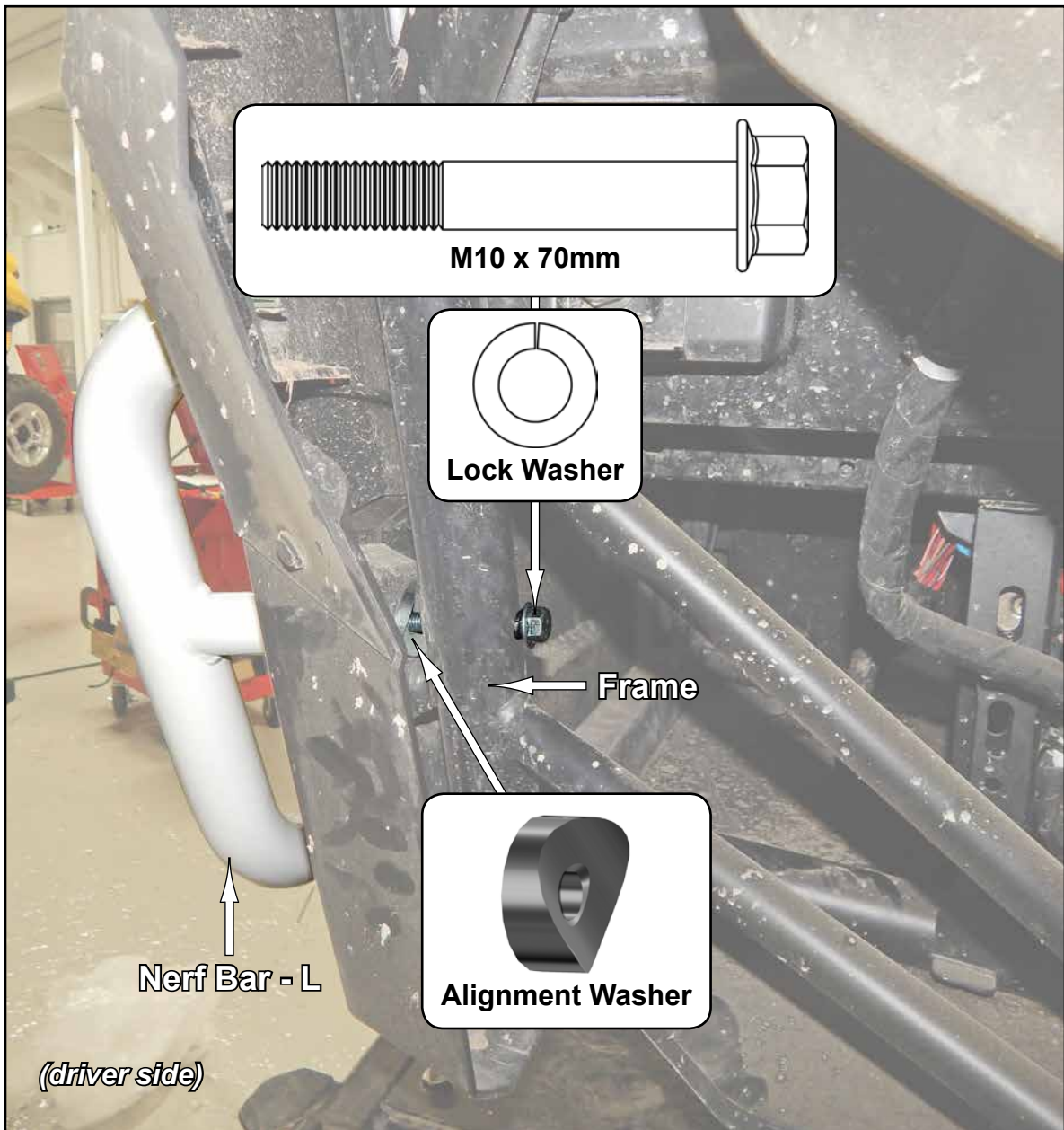
## General Installation

- Remove stock bolt and install Drill Guide into hole in plastic and frame.
- Secure Drill Guide with stock bolt.
- Use a  $\text{\O}7/16$ " bit and drill out hole in Frame.
- Remove Drill Guide.
- Repeat for Front Location.

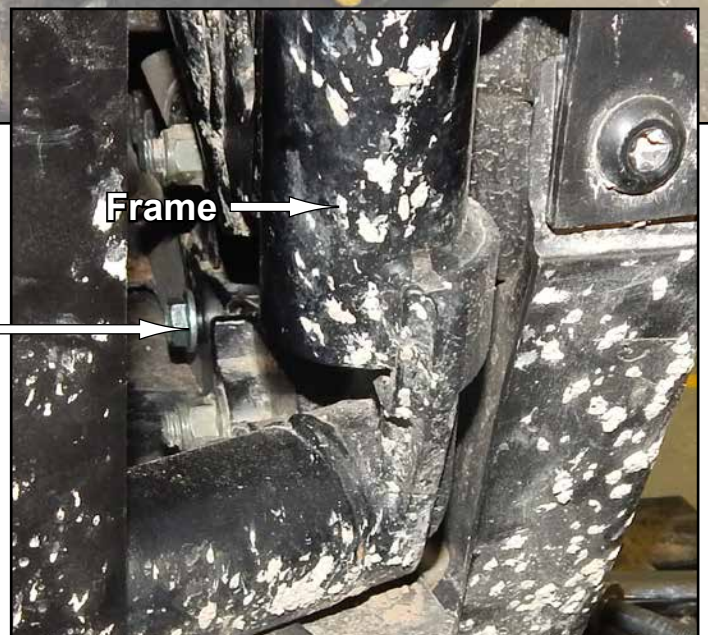
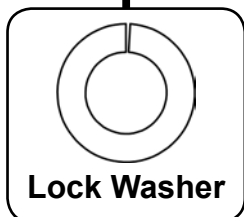
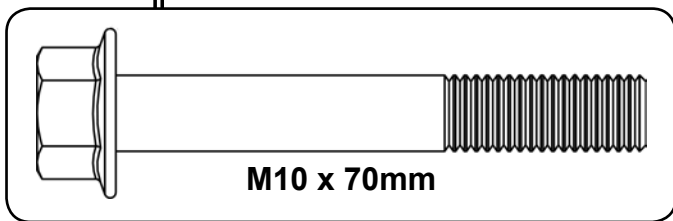
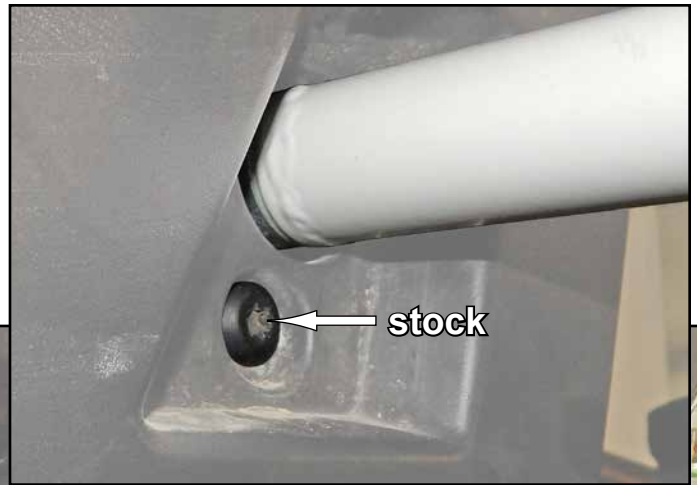


Repeat for opposite side.

- Install and secure rear of Nerf Bar - L with hardware shown.



- Secure Nerf Bar - L with hardware shown.
- Repeat steps for opposite side; Nerf Bar - R.

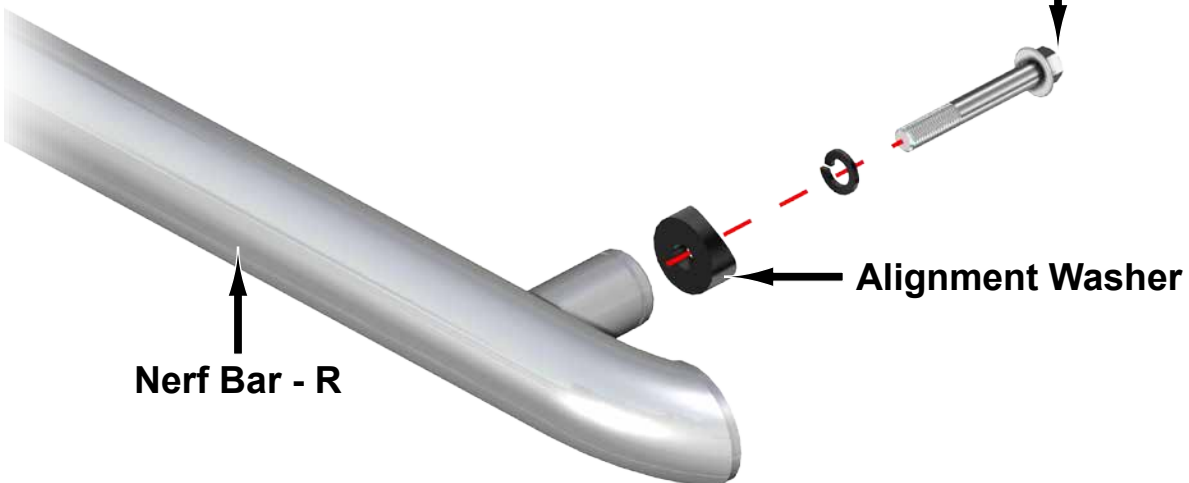
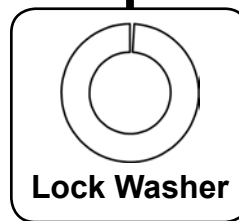
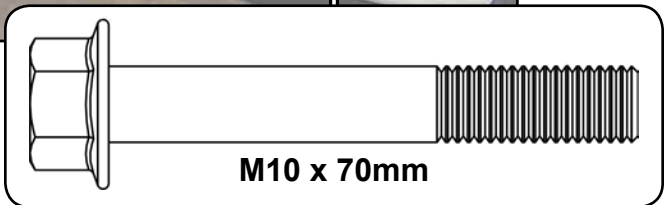
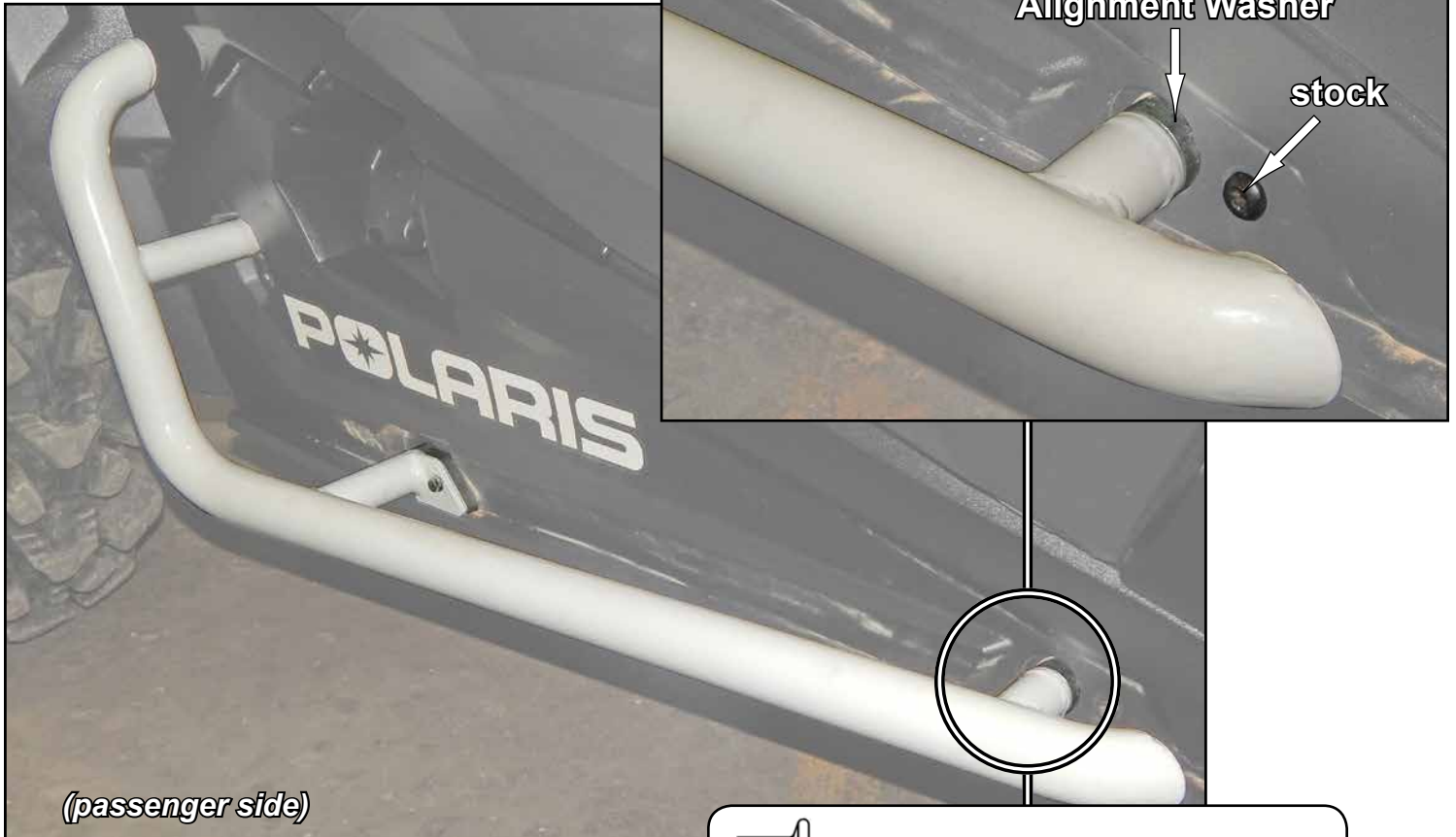


## RZR Installation

- Remove stock bolt and install Drill Guide into hole in plastic and frame.
- Secure Drill Guide with stock bolt.
- Use a  $\text{\O}7/16$ " bit and drill out hole in Frame.
- Remove Drill Guide.
- Repeat for locations shown.
- Repeat for opposite side.



## RZR Installation



# RZR Installation

