

DURACLUTCH INSTALLATION

15-517 DCG2-GENERAL-A

SVI, LLC REV4

KIT PART #: 15-517

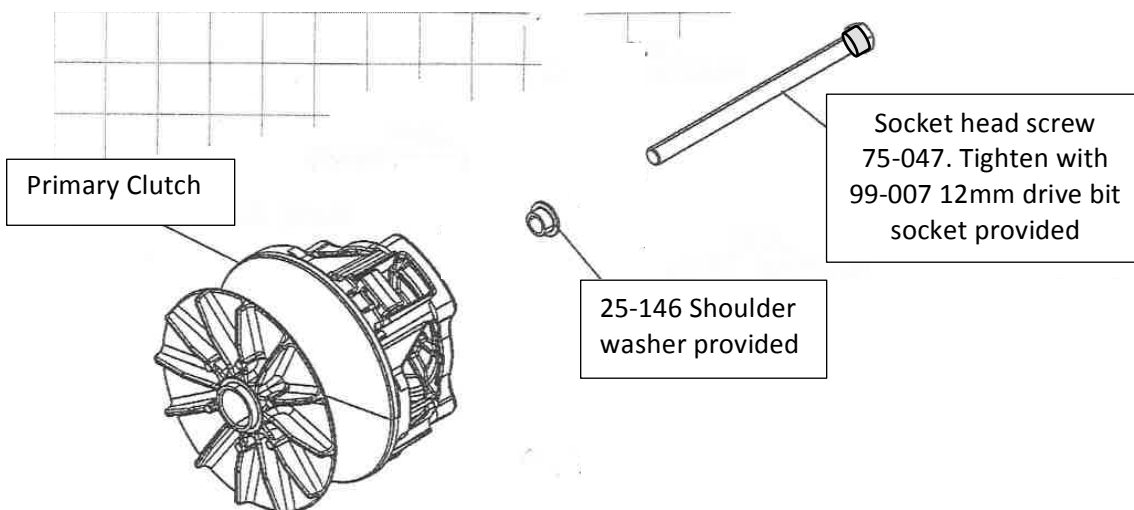
MODEL: DCG2-GENERAL-A

DESCRIPTION: MY16-18 GENERAL ALL MODELS

- 1 10-131 PRIMARY CLUTCH
- 2 25-146 SHOULDER WASHER
- 3 75-047 SCREW-CLUTCH
- 4 99-007 TOOL-12MM BIT SOCKET ½" DRIVE
- 5 10-140 SECONDARY CLUTCH
- 6 35-024 BELT (SUBSTITUTE 3211148)
- 7 30-093 TOOL-BELT INSTALL
- 8 97-011 DECAL-DC CLUTCH HOUSING DASH 35-024
- 9 95-043 FILTER-CLUTCH INTAKE FOR GENERAL
- 10 INSTALL INSTRUCTIONS 95-043 FILTER
- 11 OWNERS MANUAL SUPPLEMENT
- 12 WEIGHT CHART
- 13 DURACLUTCH WARRANTY
- 14 INSTALL INSTRUCTIONS 15-517 (THESE INSTRUCTIONS)

DURACLUTCH INSTALLATION

1. Remove the Secondary clutch.
2. Install DURACLUTCH Secondary. Use the O.E. (Original Equipment) bolt and washer to install the Secondary. Tighten Secondary bolt to 55 ft-lbf.
3. Remove Primary clutch bolt. Remove the Primary clutch with a puller (SVI 25-127/PII 28772085). Greasing the end of the puller slightly will aid in removal. Do not get grease on any clutch components.
4. Clean the engine tapered shaft and Primary clutch bore with alcohol or degreaser. Do not lubricate.
5. Slip the belt into the Primary and over the Secondary.
6. Install DURACLUTCH Primary with hardware provided as shown. Tighten bolt to 60 ft-lbf.



Do not use original equipment screw or hardware with primary

7. Install the Belt as follows if the Primary and Secondary are already installed. Place Belt in the Primary and open the Secondary sheaves with the Belt Installation Tool provided (see photo). Roll belt into the Secondary sheaves.



8. Set belt tension. Place transmission in PARK. APPLY FOOT BRAKE TO INSURE VEHICLE REMAINS STATIONARY. Apply slight throttle to turn Secondary.
9. Install outer clutch housing. Insure seal is good or replace. The DURACLUTCH primary is slightly larger than the original equipment primary. To insure the primary does not rub against the cover push up and back on the housing while lightly snugging the bottom screws. Then tighten the top rear screw followed by the other top screws. Then tighten all remaining screws including the bottom screws evenly. After starting the engine if you hear the primary rubbing, push on the cover while the engine is running in different directions to see which way will eliminate the rubbing. Stop the engine and loosen the housing screws and retighten using the above sequence while pushing on the cover in the direction that eliminated the rubbing. If this does not eliminate the rubbing try installing a new gasket and go through the bolt tightening sequence again. If you cannot eliminate the rubbing the cover is heat warped and you may have to install a new cover and perhaps a new back plate. You may also try using a heat gun to remove heat sag in the cover.

DECALS

7. Apply two decals as shown – one on the clutch housing and one on the dash. Clean surface with alcohol or similar solvent. Decal application is important to alert service technicians that the standard Polaris clutches have been replaced.

