

advanced FLOW engineering

Instruction Manual P/N: 51-82342 / 54-82342

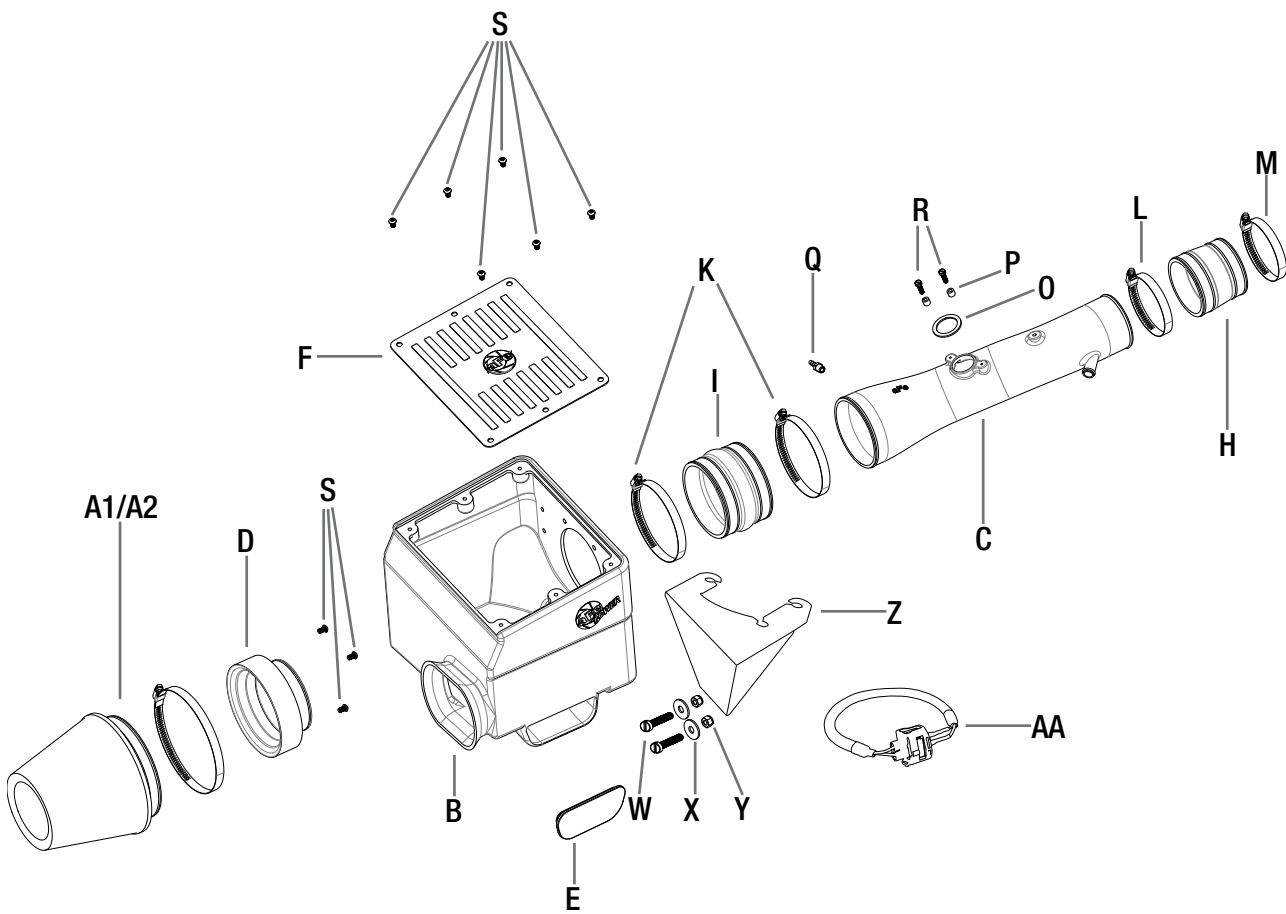
Make: **Toyota** Model: **Tacoma** Year: **2012-2013** Engine: **V6-4.0L**

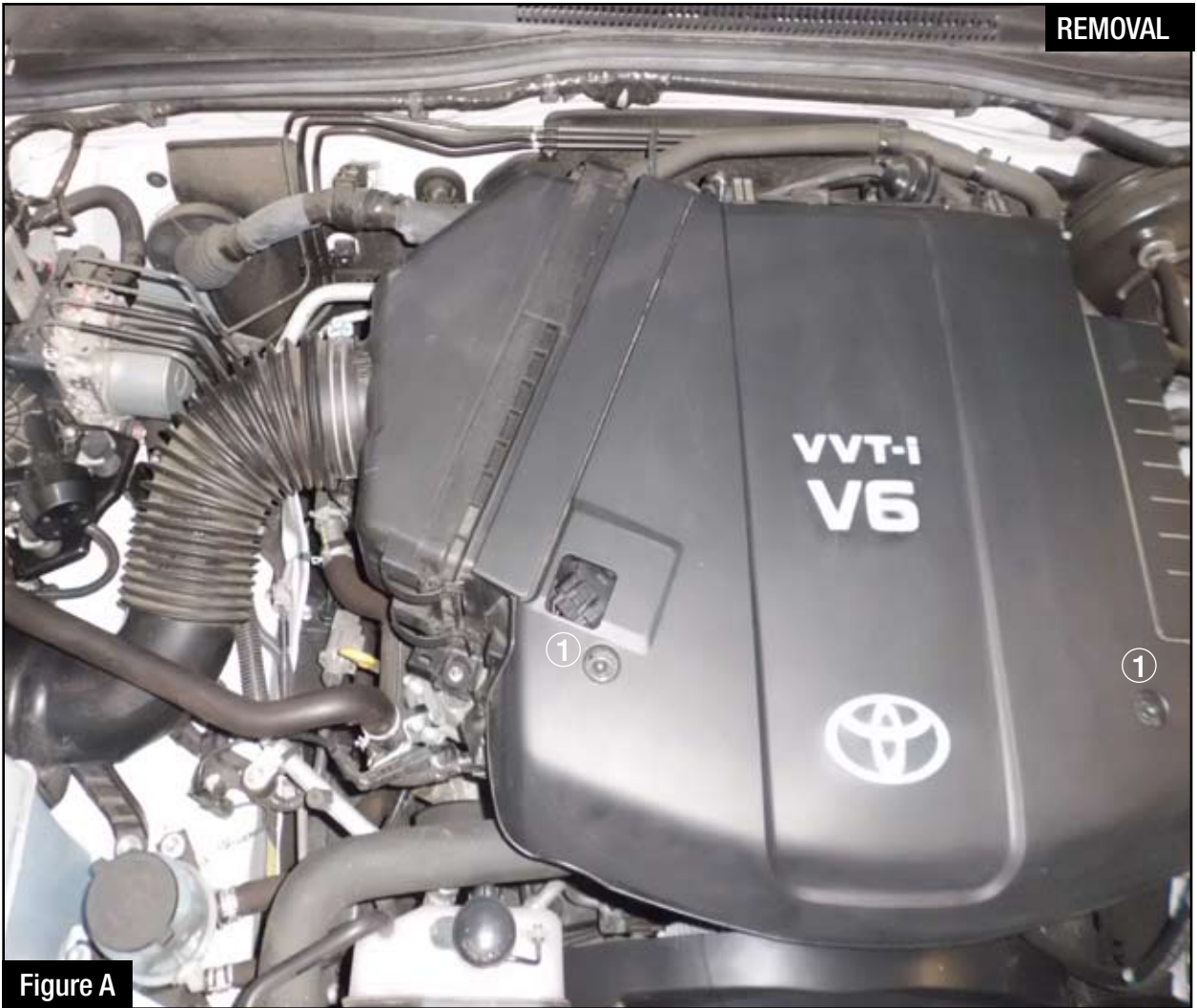


- Please read the entire instruction manual before proceeding.
- Ensure all components listed are present.
- If you are missing any of the components, call customer support at 951-493-7100.
- Ensure you have all necessary tools before proceeding.
- Do not attempt to work on your vehicle when the engine is hot.
- Disconnect the negative battery terminal before proceeding.
- Retain factory parts for future use.

Label	Qty.	Description	Part Number
A1	1	Pro DRY S Air Filter	21-90044 (Gray Media) Included in kit 51-82342
A2	1	Pro 5R Air Filter	24-91021 (Blue Media) Included in kit 54-82342
B	1	Housing	05-82342B2
C	1	Tube	05-00821
D	1	Injection Molded Adaptor	05-00611
E	1	Plug	05-00937
F	1	Cover	05C00823B
G	1	Gasket	05-00828
H	1	Reducer Coupling	05-00815
I	1	Hump Coupling	05-00794
J	1	Trim Seal - 17"	05-00072
K	2	#72 Clamp	03-50010
L	1	#52 Clamp	03-50008
M	1	#48 Clamp	03-50007
N	1	Isolation Mount	03-50063
O	1	MAS Gasket	05-00118
P	2	Nylon Spacer	03-50135
Q	1	Brass Hose nipple	03-50191
R	2	Flat Head Screws	03-50030
S	9	Button Head Screw	03-50113
T	2	Hex Nut	03-50087
U	2	Flat Washer	03-50065
V	1	Hose, Vacuum - 16"	05-00122
W	2	Hex Head Screw	03-50106
X	2	Fender Washer	03-50070
Y	2	Hex Nylon Nut	03-50073
Z	1	Relocation Bracket	05-12332B4
AA	1	Harness	05-01266

Note: Legal in California for use on race vehicles only. The use of this device on vehicles used on public streets or highways is strictly prohibited in California and others states that have adopted California emission regulations.



**Figure A****Refer to Figure A for steps 1 - 2**

Step 1. Complete stock intake.

Step 2. Remove the two crown nuts ① then lift up on the front of the engine cover and pull straight out to remove.



Figure B

Refer to Figure B for steps 3-6

Step 3. Unclip the mass air sensor (MAF) ② .

Step 4. Loosen the hose clamp at the throttle body ③ .

Step 5. Unplug the OE CCV hose and the vacuum hose ④ that's located in both the front and the rear of the OE air box.

Step 6. Remove the two screws ⑤ from the OE air box.



Refer to Figure C for steps 7-10

Step 7. Unplug the OE Smog Pump from it's harness. (6)

Step 8. Unclip the three (7) rubber grommets from the smog pump bracket.

Step 9. Move the smog pump out of the way so you can continue your installation.

Step 10. Unbolt the three (8) bolts holding the smog pump bracket to inner fender.

**Figure D****Refer to Figure D for step 11**

Step 11. Now remove the two bolts ⑨ holding the air duct.



Refer to Figure E for step 12

Step 12. Remove the stock intake from the vehicle and prepare to install your new aFe Power intake.



Figure F

Refer to Figure F for steps 13-14

Step 13. Install the aFe harness extender as shown.

Note: White wire goes to the white wire, black wire goes to the black wire.

Step 14. Place harness out of the way to not get damaged or dirty.



Figure G

Refer to Figure G for steps 15-16

Step 15. Remove two of the isolation mounts from the stock intake housing by pushing the metal sleeve out and then removing the rubber grommet from the housing.

Step 16. Insert the rubber grommets into the two large holes in the bottom of the aFe housing and then push the metal sleeves into the grommets.



Refer to Figure H for step 17

Step 17. Install the trim seal on the air inlet port of the housing. Make sure the trim seal is pushed all the way onto the plastic to ensure an accurate fit in the vehicle.

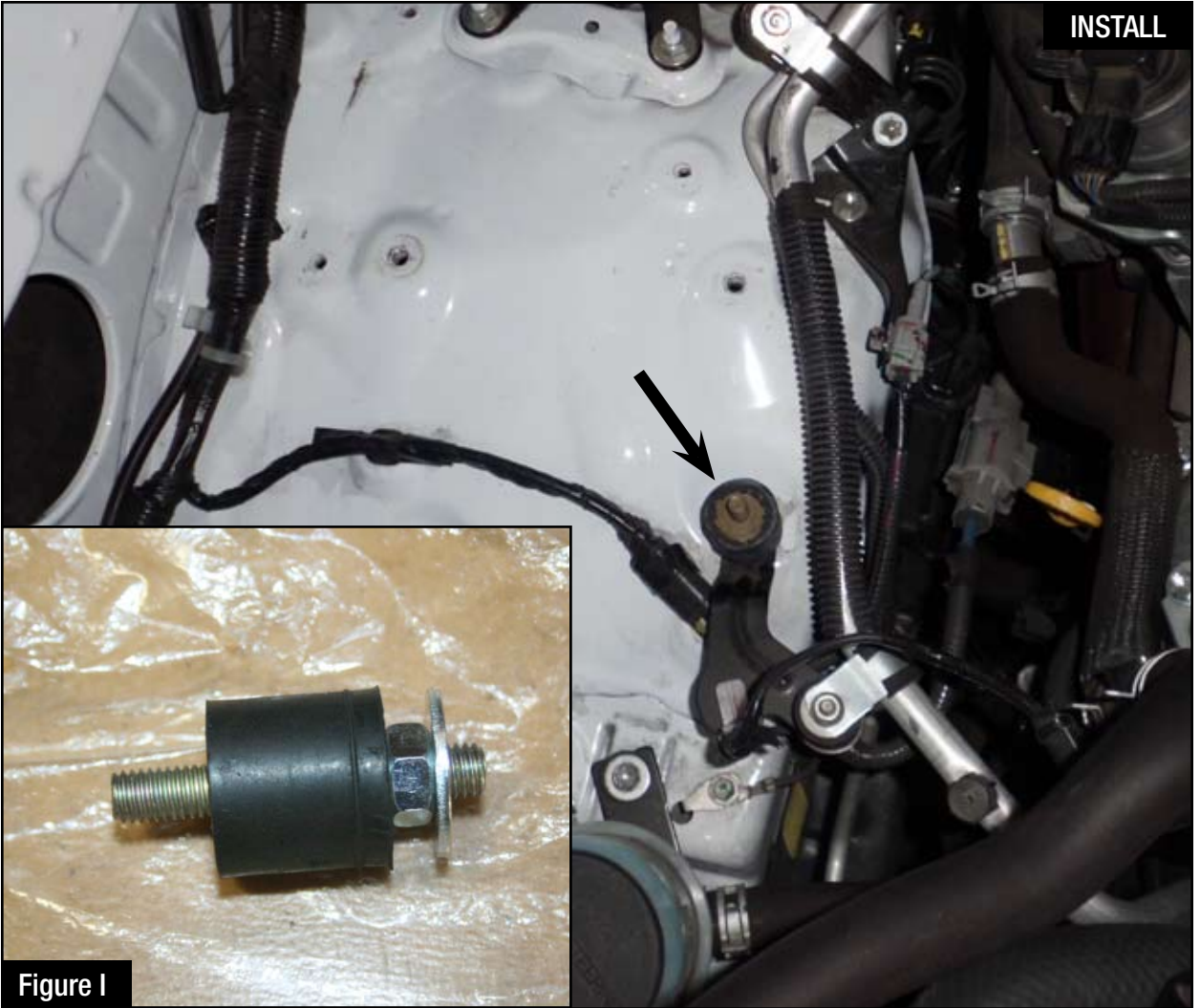


Figure I

Refer to Figure I for steps 18-19

Step 18. Install a nut and a washer to one side of the isolation mount as shown.

Step 19. Install the isolation mount assembly into the vehicle in the location shown.

**Figure J****Refer to Figure J for steps 20-21**

Step 20. Install the housing into the vehicle and secure it using two of the stock air box bolts. Use the supplied M8 washer and nut to fasten the housing to the new isolation mount.

Step 21. Tighten the M8 nut with a 13mm socket, a ratchet and an extension. Use the 12mm socket and an extension to tighten the two stock bolts.



Refer to Figure K for step 22

Step 22. Install the aFe smog pump relocation bracket using the provided screws, washers, and nuts. (10)



Figure L

Refer to Figure L for steps 23-25

Step 23. Install the air filter adaptor using the provided three button head screws.

Step 24. Install the aFe air filter.

Step 25. Install the aFe cover using the provided six button head screws.

**Figure M****Refer to Figure M for steps 26-29**

Step 26. Install the three grommets from the old smog pump bracket and transfer to the relocating bracket.

Step 27. Install the smog pump onto the smog pump relocating bracket.

Step 28. Run the wire harness under the smog pump hose.

Step 29. Connect to the aFe harness extension.



Figure N

Refer to Figure N for steps 30-32

Step 30. Remove the MAF sensor from the stock air box.

Step 31. Insert the brass nipple (11) into the tube.

Step 32. Install the MAF gasket onto the tube by removing the white paper off the backside of the gasket and applying the sticky side of the gasket towards the tube. Use the spacers and the screws provided to fasten the MAF sensor (12) to the aFe intake tube.

Step 33. Install the two provided couplings and clamps on the aFe intake tube. Do not tighten clamps.

**Figure 0****Refer to Figure 0 for steps 34-38**

Step 34. Install the aFe tube into the vehicle as shown.

Step 35. Connect the CCV hose (13) to the intake tube using the spring clamp.

Step 36. Connect the vacuum line (14) to the brass fitting by twisting the hose, pushing at the same time.

Step 37. Re-connect the MAF (15) sensor wire harness.

Step 38. Remove one stud (16) from the OE air box and place into the aFe tube.

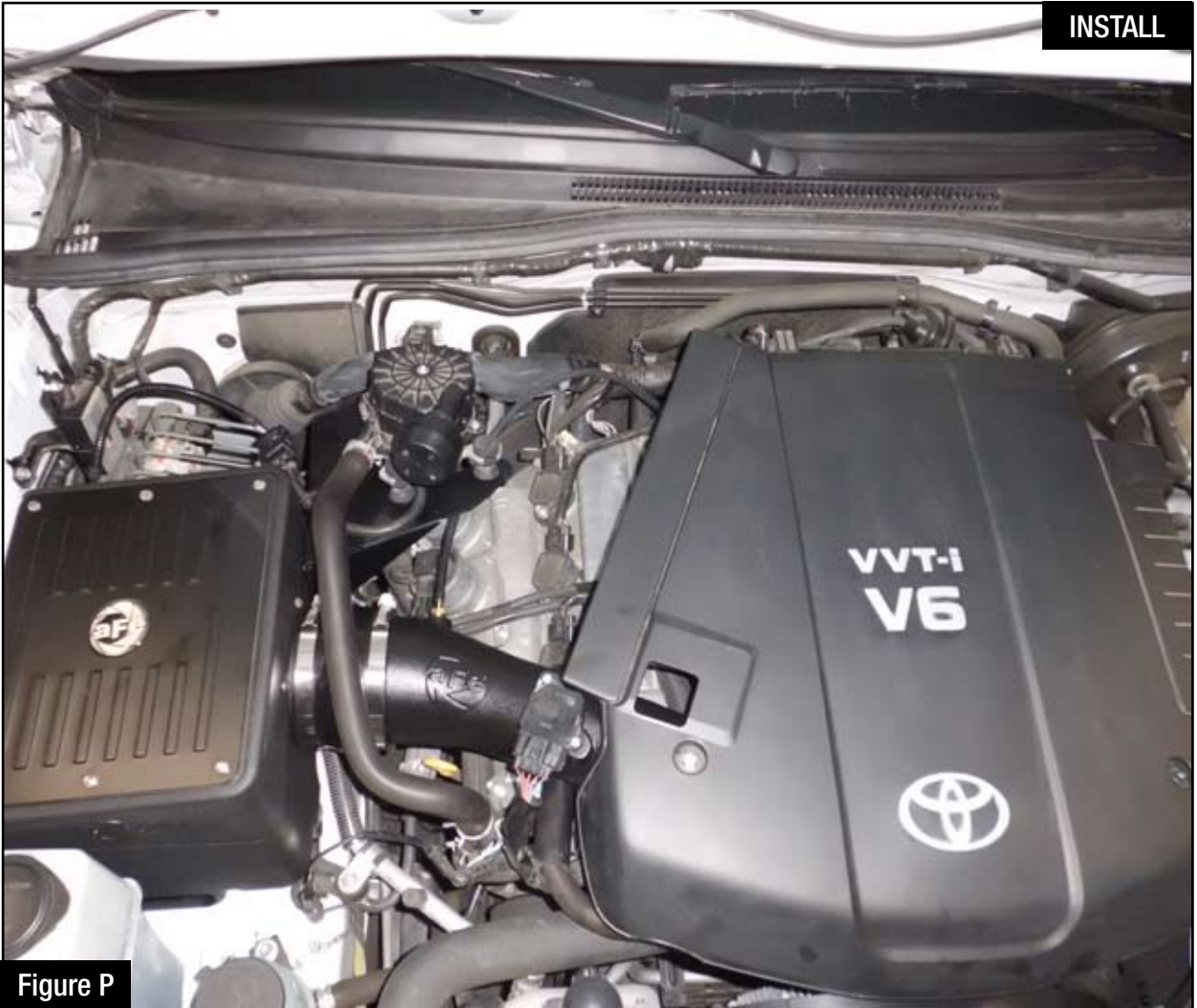


Figure P

Refer to Figure P for steps 39-42

Step 39. Tighten all of the remaining hose clamps with a 8mm nut driver.

Step 40. Reinstall the engine cover by clipping in the backside of the cover and then pushing the front of the cover straight down.

Step 41. Reuse the two crown nuts to tighten down the engine cover.

Step 42. The installation is now complete!

NOTE: Retighten all connections after approximately 100-200 miles.



Page left blank intentionally

Page left blank intentionally



Pro DRY S Air Filter



P/N: 21-90044

Pro 5R Air Filter



P/N: 24-91021

Pro-GUARD 7 Air Filter



P/N: 72-90044

Pro DRY S Restore Kit



P/N: 90-59999

Blue Squeeze Restore Kit



P/N: 90-50501

Blue Aerosol Restore Kit



P/N: 90-50001

Gold Squeeze Restore Kit



P/N: 90-50500

Gold Aerosol Restore Kit



P/N: 90-50000

Silver Bullet Throttle Body Spacer



P/N: 46-38002

MACH Force XP Exhaust



P/N: 49-46002

aFe Power Hat



P/N: 40-10083

aFe Key Chain



P/N: 40-10109

To purchase any of the items above, view airflow charts, dyno graphs, photos, and video; please go to aFepower.com.

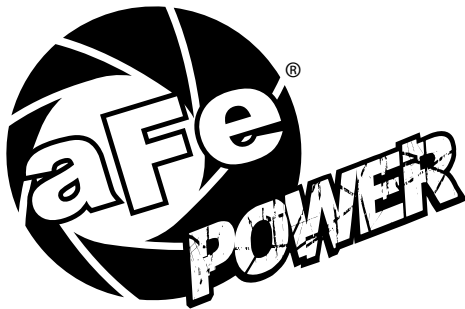
Warranty

General Terms:

- aFe warrants their products to be free from manufacturer's defects due to workmanship and material.
- This warranty applies only to the original purchaser of the product and is non-transferrable.
- Proof of purchase of the aFe product is required for all warranty claims.
- Warranty is valid provided aFe instructions for installation and/or cleaning were properly followed.
- Proper maintenance with regular inspections of product is required to insure warranty coverage.
- Damage due to improper installation, abuse, unauthorized repair or alteration is not warranted.
- Incidental or consequential damages or cost, including installation and removal of part, incurred due to failure of aFe product is not covered under this warranty.
- All warranty is limited to the repair and/or replacement of the aFe part. To request Return Goods Authorization ("RGA"), email RGA@afepower.com or call (951)493-7100. Upon receipt of the RGA, you must return the product to the address provided in the RGA, freight prepaid and accompanied with a dated proof of purchase and the RGA. Upon receipt of the defective product and upon verification of proof of purchase, aFe will either repair or replace the defective product within a reasonable time, not to exceed thirty days.

Product Category	P/N Prefix	Warranty duration
Direct OE Replacement Filters	10, 11, 30, 31, 71, 73	Life of the vehicle
Racing Filters	18	1 year
Universal	21, 24, 72	2 years
Air Intake Systems	50, 51, 54, 55, 75	2 years
Exhaust Systems	49	2 years
Intercoolers & Intercooler Tubes	46-2	2 years
Intake Manifolds	46-1	2 years
Differential Cover	46-7	Life of the vehicle
Exhaust Manifolds	46	2 years
Throttle Body Spacers	46-3	2 years
Fluid Filters	44	90 days
Pre-Filters	28	2 years
Heavy Duty OE Replacement	70	2 years
PowerSports OE Replacement	81, 87	2 years
PowerSports Intake Systems	85	2 years

No other warranty expressed or implied applies nor is any person or advanced FLOW engineering authorized to assume any other warranty. Some States do not allow the exclusion or limitation of incidental or consequential damages or do not allow limitations on how long an implied warranty lasts, so the above limitations or exclusions may not apply to you. This warranty gives you specific legal rights, and you may also have other rights which vary from State to State.



advanced FLOW engineering, inc.

252 Granite Street Corona, CA 92879

TEL: 951.493.7100

E-Mail: Tech@aFepower.com

P/N: 06-80537