

Gen 1 / 2 gas tank skid install

Each kit comes with nutserts to install in the rear subframe qty 1 on each side. The rear tab on gas tank skid attaches to this nutsert. (please use proper m12 nutsert installation tool)

Using custom L bolt these are installed in the frame. Be sure to install supplied plastic washer on the end of the stud. this keeps the Bolt from falling into the frame.

Other two mounting points you will remove the OEM 13mm bolt holding the gas tank up and the Eurowise gas tank skid will mount to these points. DO not worry removing the oem bolts will not drop the tank. just remove the only two needed at a time

[IMG]

GEN 2 GAS TANK SKID BRACKETS

USE QTY 4 SUPPLIED CARRIAGE BOLTS AND NUTS TO ATTACH BRACKETS TO GAS TANK SKIDS

GEN 2
6.75 LONG

DRIVER SIDE
INNER BRACKET



PASSENGER SIDE
INNER BRACKET

GEN 2
9 1/8 LONG



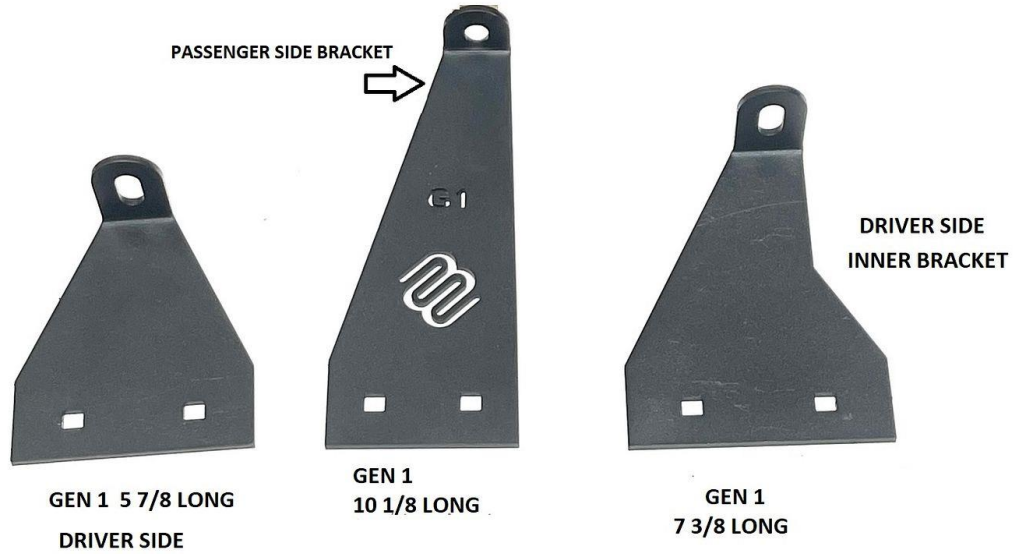
USE QTY 4 SUPPLIED CARRIAGE BOLTS AND NUTS TO ATTACH BRACKETS TO GAS TANK SKIDS

?width=1920&height=1080&fit=bounds[/IMG]

[IMG]

GEN 1 GAS TANK SKID BRACKETS

USE QTY 4 SUPPLIED CARRIAGE BOLTS AND NUTS TO ATTACH BRACKETS TO GAS TANK SKIDS



?width=1920&height=1080&fit=bounds[/IMG]

The gas tank skids can be installed with the OEM plastics on but you will need to trim around the plastic to clear accordingly.



[IMG]

ght=720&fit=bounds[/IMG][URL]

?width=960&hei



[IMG] ght=720&fit=bounds[/IMG][URL]

?width=960&hei



[IMG] ght=720&fit=bounds[/IMG][URL]

?width=960&hei

[IMG]



?width=960&height=720&fit=bounds[/IMG]/[URL]



[IMG] ght=720&fit=bounds[/IMG][URL]

?width=960&hei



[IMG]
nds[/IMG][URL]

?width=960&height=720&fit=bou



[IMG]
eight=1080&fit=bounds[/IMG][URL]

?width=1920&h



[IMG]
eight=1080&fit=bounds[/IMG][URL]

?width=1920&h



[IMG] ?width=1920&h
eight=1080&fit=bounds[/IMG][URL]

[IMG]



?width=1920&height=1080&fit=bounds[/IMG]/[URL]

[IMG]



?width=1920&height=1080&fit=bounds[/IMG]/[URL]

[IMG]



?width=1920&height=1080&fit=bounds[/IMG]/[URL]

[IMG]



?width=1920&height=1080&fit=bounds[/IMG]/[URL]

These photos below are the t3 / cayenne gas tank skids (2010-2017)

they have removable inner mounting brackets. these will be installed at any time. You install the carriage bolts supplied facing inwards. You can install them before putting the skids up or after.

the rest of the install is same as gen 1

[IMG]



?width=1920&height=1080&fit=bounds[/IMG]/[URL]

[IMG]



?width=1920&height=1080&fit=bounds[/IMG]/[URL]



[IMG] eight=1080&fit=bounds[/IMG][/URL]

?width=1920&h

