



## FM0209PC BBC Top Mount Alternator Bracket

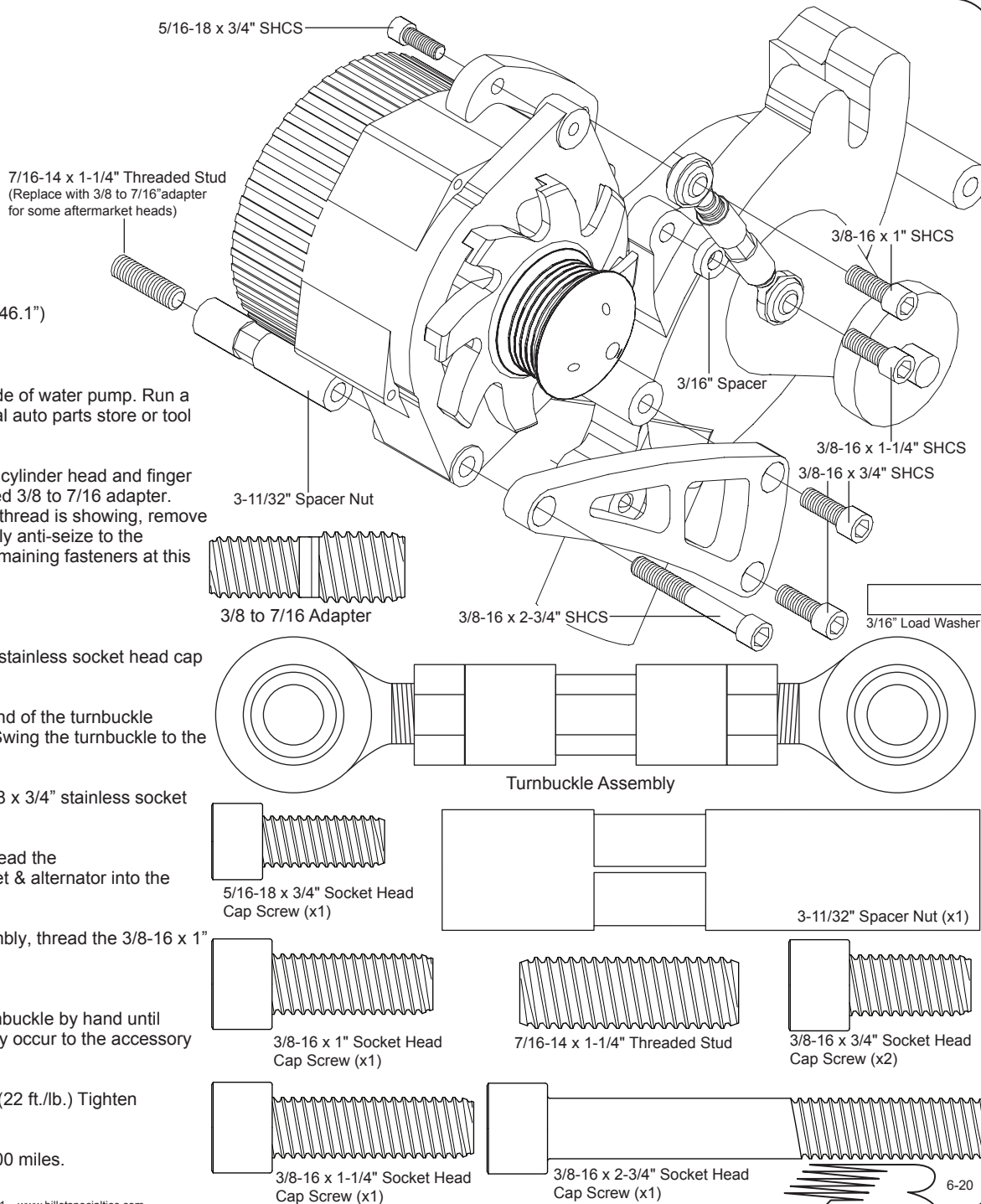
### Tools Required:

- |                      |                                      |
|----------------------|--------------------------------------|
| 1/4" Allen Wrench    | 9/16" Open End Wrench                |
| 5/16" Allen wrench   | 7/16-14 Thread Chaser (If necessary) |
| 1/2" Open End Wrench | Anti-Seize                           |

We recommend applying Anti-Seize to all threads when assembling bracket.

Recommended Belt: Continental 6 Rib #4060460 (46") or Dayco #5060460 (46.1")

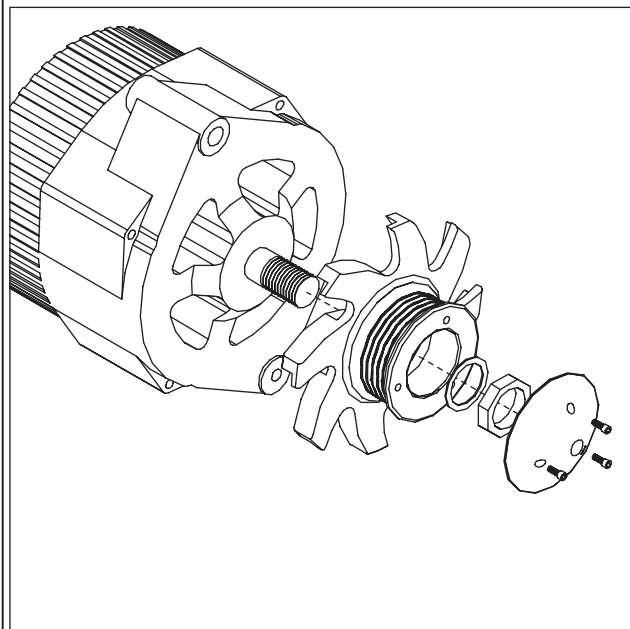
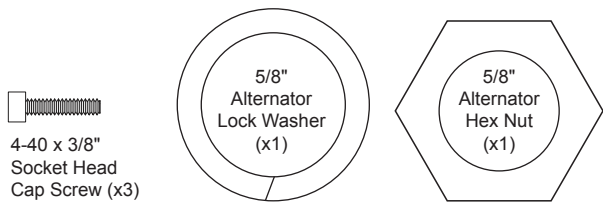
- 1) Disconnect battery & remove existing accessory drive brackets.
- 2) Clean & prep threads in passenger cylinder head (outside hole) and left side of water pump. Run a 7/16-14 thread chaser if necessary. Thread chasers are available at your local auto parts store or tool dealer and are different from a thread cutting tool.
- 3) Thread the 7/16-14 x 1-1/4" threaded stud into the outside passenger side cylinder head and finger tighten. For aftermarket cylinder heads with 3/8" tapped holes use the included 3/8 to 7/16 adapter. There should be no more than 5/8" of thread left exposed. (if more than 5/8" thread is showing, remove stud and clean out threads then reinstall threaded stud and check again) Apply anti-seize to the exposed threads on the stud. Also apply anti-seize to the threads of all the remaining fasteners at this time.
- 4) Thread the 3-11/32" spacer nut onto the exposed stud and tighten firmly.
- 5) Attach the alternator bracket to the water pump with the two 3/8-16 x 3/4" stainless socket head cap screws and finger tighten.
- 6) Thread the 3/8-16 x 1-1/4" stainless socket head cap screw through one end of the turnbuckle assembly and the 3/16" spacer into the water pump boss and tighten firmly. Swing the turnbuckle to the right and lay to rest out of the way.
- 7) Attach the alternator ear bracket to the top alternator boss with the 5/16-18 x 3/4" stainless socket head cap screw and tighten (12 ft./lb.).
- 8) Place the alternator between the spacer nut and alternator bracket and thread the 3/8-16 x 2-3/4" stainless socket head cap screw through the Alternator bracket & alternator into the spacer nut and finger tighten.
- 9) Swing the alternator up into position and match up to the turnbuckle assembly, thread the 3/8-16 x 1" through the turnbuckle rod end into the alternator ear bracket and tighten (22 ft./lb.).
- 10) Route belt around alternator, water pump and crank pulleys. Twist turnbuckle by hand until proper belt tension is achieved. Do not over-tighten belt! Serious damage may occur to the accessory drive bearings resulting in premature wear.
- 11) Tighten jam nuts on turnbuckle. Tighten alternator socket head screw (22 ft./lb.) Tighten alternator bracket screws on water pump (22 ft./lb.) Re-check belt tension.
- 12) Reconnect electrical and test run motor. Re-check belt tension after 100 miles.





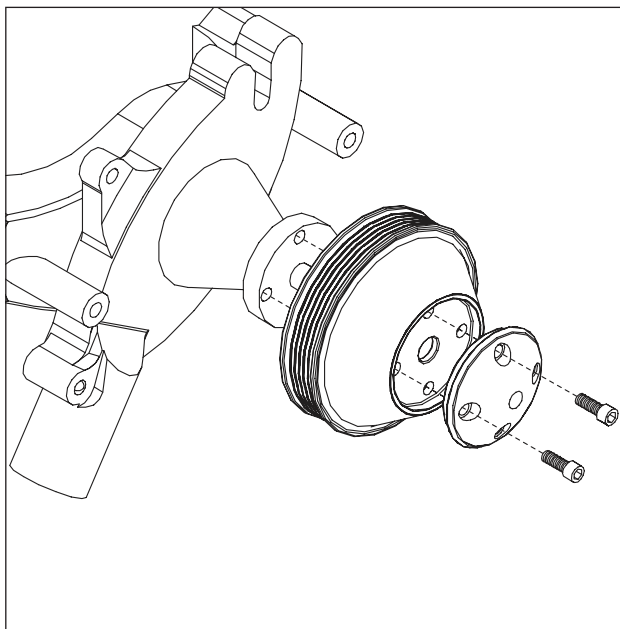
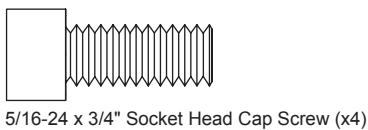
# FM3210PC BBC Serpentine Pulley Kit - LWP

## ALTERNATOR PULLEY



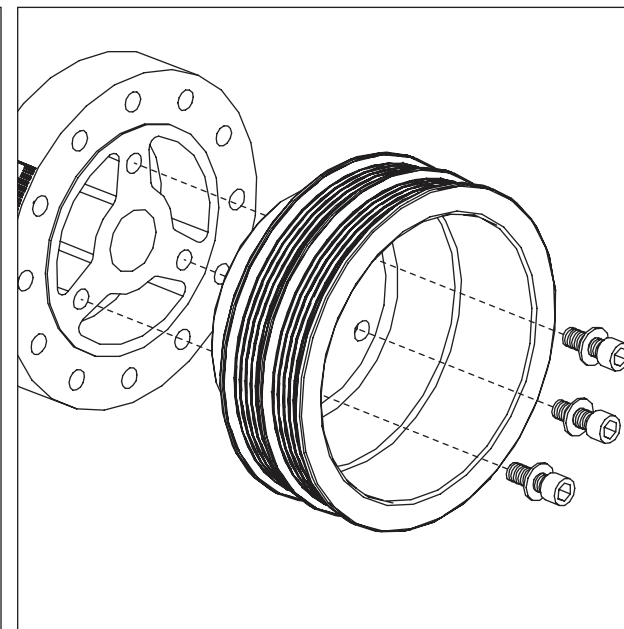
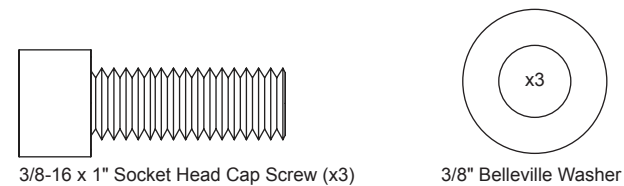
Tools Required:  
3/32" Allen wrench  
15/16" Socket

## WATER PUMP PULLEY



Tools Required:  
1/4" Allen wrench

## CRANKSHAFT PULLEY



Tools Required:  
5/16" Allen wrench

