



## FM0207PC BBC Mid-mount Alternator Bracket

### Tools Required:

1/4" Allen Wrench

5/16" Allen wrench

1/2" Open End Wrench

9/16" Open End Wrench

7/16-14 Thread Chaser (If necessary)

Anti-Seize

We recommend applying Anti-Seize to all threads when assembling bracket.

Recommended Belt: Continental 6 Rib #4060420 (42") or Dayco 6 Rib #5060420 (42")

- 1) Disconnect battery & remove existing accessory drive brackets.
- 2) Clean & prep threads on passenger side cylinder head (outside hole). Run a 7/16-14 thread chaser if necessary. Thread chasers are available at your local auto parts store or tool dealer and are different from a thread cutting tool.
- 3) Thread the 7/16-14 X 1-1/4" threaded stud into the outside passenger side cylinder head and finger tighten. For aftermarket cylinder heads with 3/8" tapped holes use the included 3/8 to 7/16 adapter. There should be no more than 5/8" of thread left exposed. ( if more than 5/8" thread is showing, remove stud and clean out threads then reinstall threaded stud and check again) Apply anti-seize to the exposed threads on the stud. Also apply anti-seize to the threads of the remaining fasteners at this time.
- 4) Thread the 3-11/32" spacer nut to the stud on the passenger side cylinder head and tighten firmly.
- 5) Attach the alternator bracket to the water pump boss with the 3/8-16 X 3/4" stainless socket head cap screw and finger tighten.
- 6) Thread the 3/8-16 X 1-1/2" stainless button head cap screw through one end of the turnbuckle assembly and through the alternator bracket and into the water pump boss, finger tighten. Allow the turnbuckle assembly to swing down and rest out of the way.
- 7) Place the alternator between the spacer nut and alternator bracket and thread the 3/8-16 X 2-3/4" stainless socket head cap screw through the Alternator bracket & alternator into the spacer nut and finger tighten.
- 8) Swing the alternator into position and match up the alternator ear to the turnbuckle assembly, thread the 5/16-18 X 1" button head cap screw through the turnbuckle rod end into the alternator ear and tighten (46ft. /lb.).
- 9) Route belt around alternator, water pump and crank pulleys. Twist turnbuckle by hand until proper belt tension is achieved. Do not over-tighten belt! Serious damage may occur to the accessory drive bearings resulting in premature wear.
- 10) Tighten jam nuts on turnbuckle, tighten alternator socket head screw (22 ft. /lb.) and tighten alternator bracket screws on water pump (46ft. /lb.) Re-check belt tension.
- 11) Reconnect electrical and test run motor. Re-check belt tension after 100 miles.

7/16-14 x 1-1/4"  
Threaded Stud  
(Replace with 3/8" to 7/16"  
adapter for aftermarket heads)

3-11/32" Spacer Nut

3/8-16 x 3/4" SHCS

3/8-16 x 1-1/2" BHCS

3/8-16 x 2-3/4" SHCS

5/16-18 x 1" BHCS

3/8 to 7/16 Adapter

Turnbuckle Assembly

5/16-18 x 1" Button Head  
Cap Screw (x1)

3/8-16 x 1-1/2" Button Head  
Cap Screw (x1)

7/16-14 x 1-1/4" Threaded Stud

3/8-16 x 2-3/4" Socket Head Cap Screw (x1)

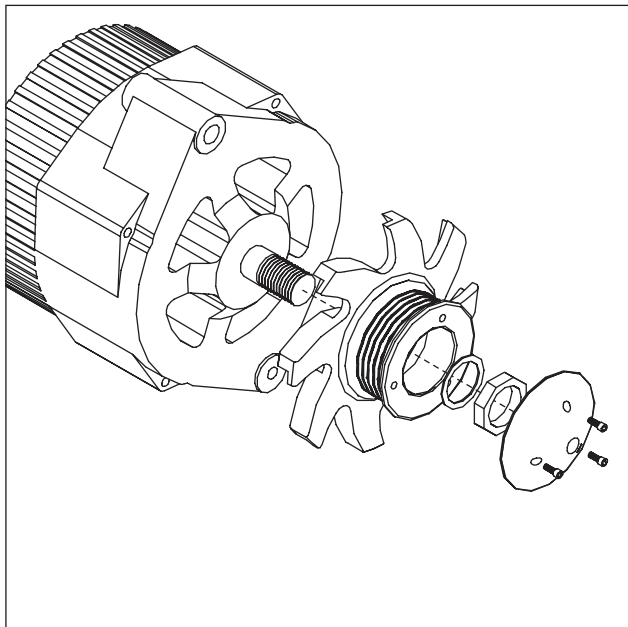
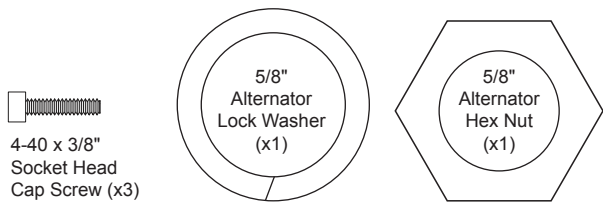
3/8-16 x 3/4" Socket Head  
Cap Screw (x1)

3-11/32" Spacer Nut (x1)



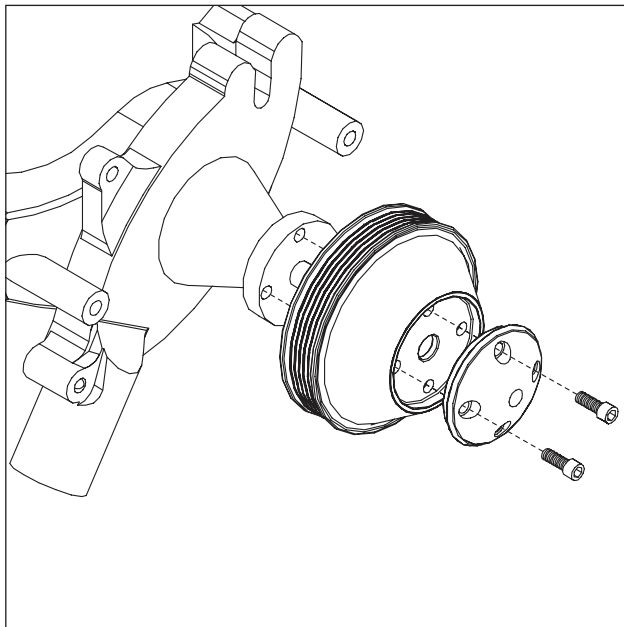
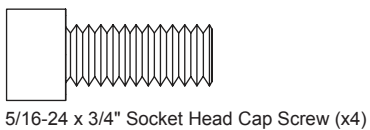
# FM3210PC BBC Serpentine Pulley Kit - LWP

## ALTERNATOR PULLEY



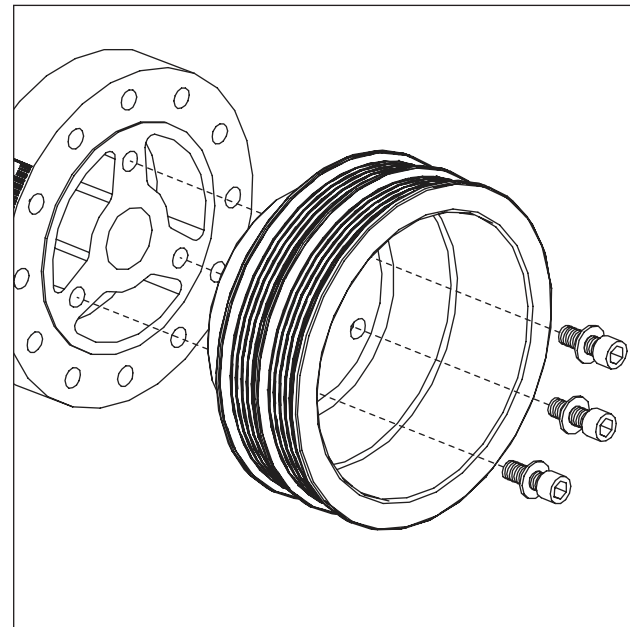
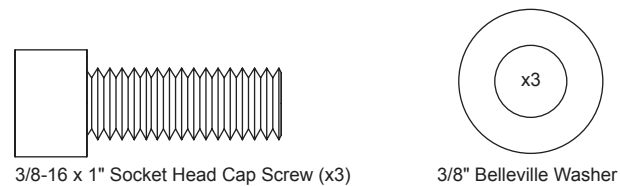
Tools Required:  
3/32" Allen wrench  
15/16" Socket

## WATER PUMP PULLEY



Tools Required:  
1/4" Allen wrench

## CRANKSHAFT PULLEY



Tools Required:  
5/16" Allen wrench

