



FRONT BUMPER FASCIA FOR G8X M3/M4

Installation Guide



Warning

Please refer to the Installation Guide for the proper installation of your product.
Failure to handle this product correctly may result in injury or damage to the product.
The manufacturer is not responsible for any damage caused by the user's mishandling.

Installation Guide page

What's included	2-4
Bumper components assembly process	5-12

Compatible with

2021 BMW M3 Standard
2021 BMW M3 Competition
2022 BMW M3 Standard
2022 BMW M3 Competition
2023 BMW M3 Standard
2023 BMW M3 Competition

2021 BMW M4 Standard
2021 BMW M4 Competition
2022 BMW M4 Standard
2022 BMW M4 Competition
2023 BMW M4 Standard
2023 BMW M4 Competition
2023 BMW M4 CSL

INSTALLATION GUIDE

G8X M3/M4 FRONT BUMPER FASCIA

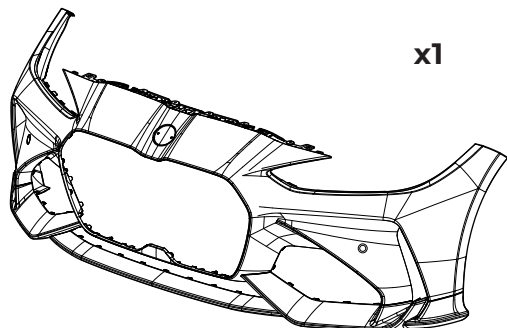
*Professional installation recommended

ENG.

Page 2 / 12

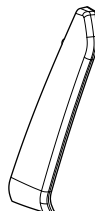
Components : Bumper unit

***Must be painted or wrapped**



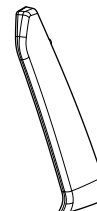
x1

Front bumper



x1

Front bumper fin (RH)

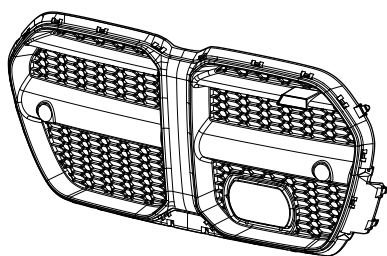


x1

Front bumper fin (LH)

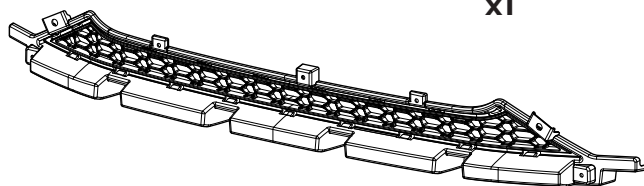
Components : Inner components

***Must be painted**



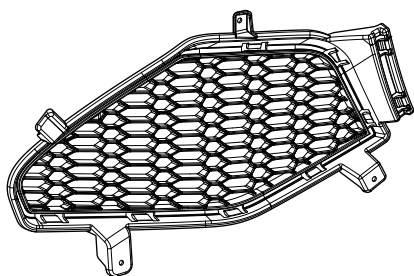
x1

Grille - Main



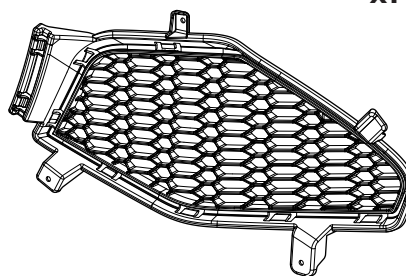
x1

Grille - Lower



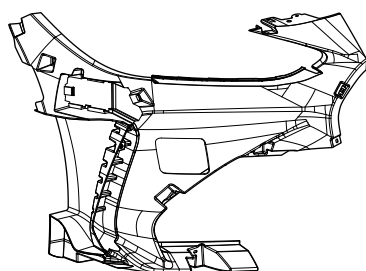
x1

Grille - Side (RH)



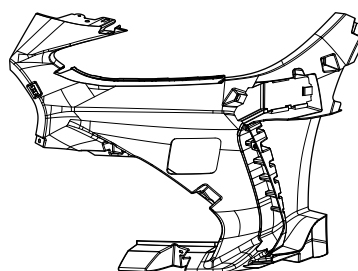
x1

Grille - Side (LH)



x1

Inner panel (RH)



x1

Inner panel (LH)

INSTALLATION GUIDE

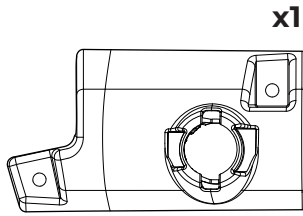
G8X M3/M4 FRONT BUMPER FASCIA

*Professional installation recommended

ENG.

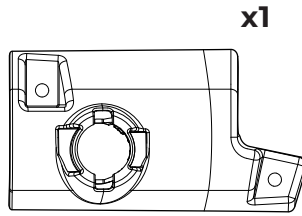
Page 3 / 12

Components : Bracket attachments



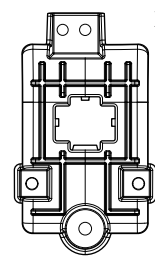
x1

Bracket - Grille sensor (RH)



x1

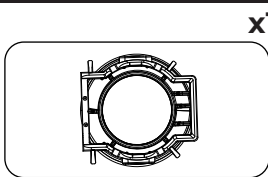
Bracket - Grille sensor (LH)



x1

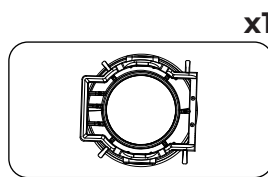
Bracket - Camera

***Must be painted or wrapped**



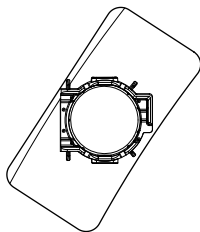
x1

Bracket - Sensor A (RH)



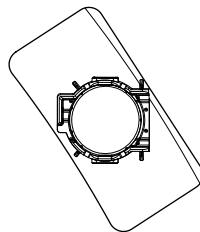
x1

Bracket - Sensor A (LH)



x1

Bracket - Sensor B (RH)



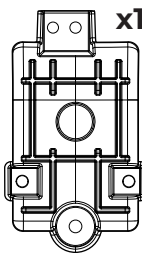
x1

Bracket - Sensor B (LH)

Components : Bracket fill-ins

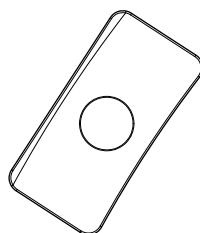
*This is only for vehicles that do not have sensors and camera trims.

***Must be painted or wrapped**



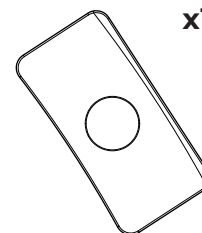
x1

Bracket - Camera fill-in



x1

Bracket - Sensor B fill-in (RH)



x1

Bracket - Sensor B fill-in (LH)

INSTALLATION GUIDE

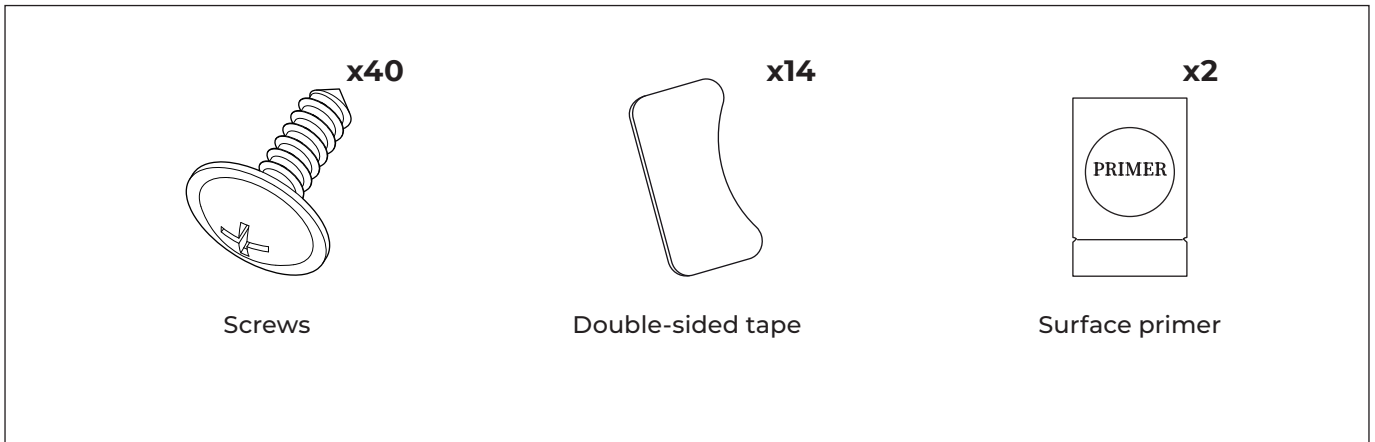
G8X M3/M4 FRONT BUMPER FASCIA

*Professional installation recommended

ENG.

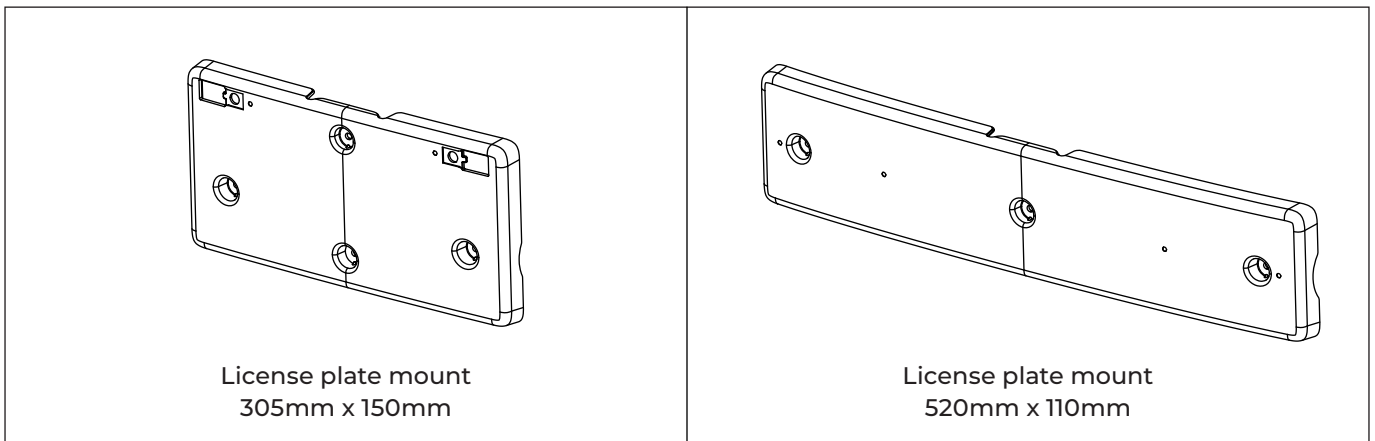
Page 4 / 12

Components : Fastener and adhesives



Components : License plate mount

*One relevant mount (based on purchase region) will be included.



INSTALLATION GUIDE

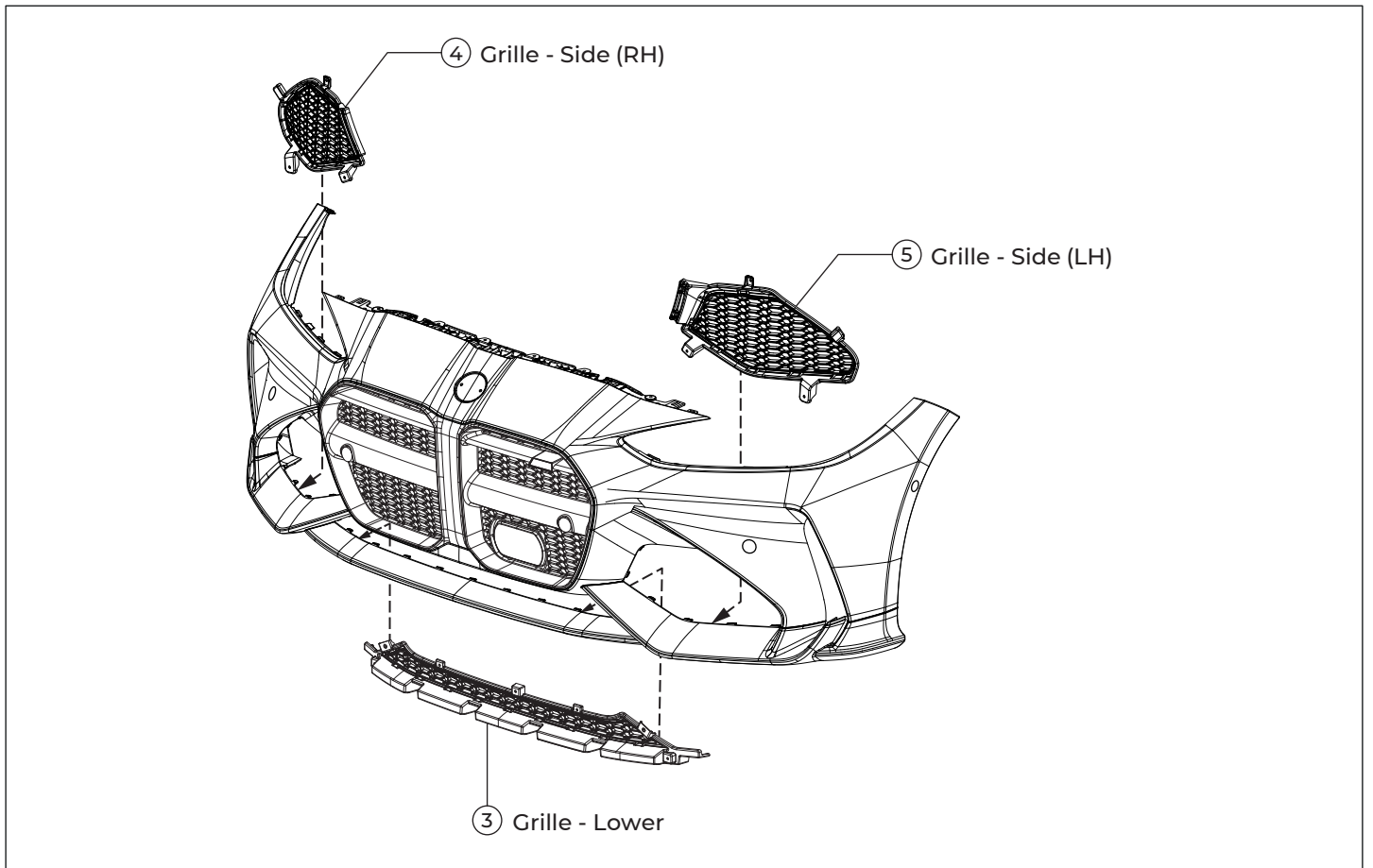
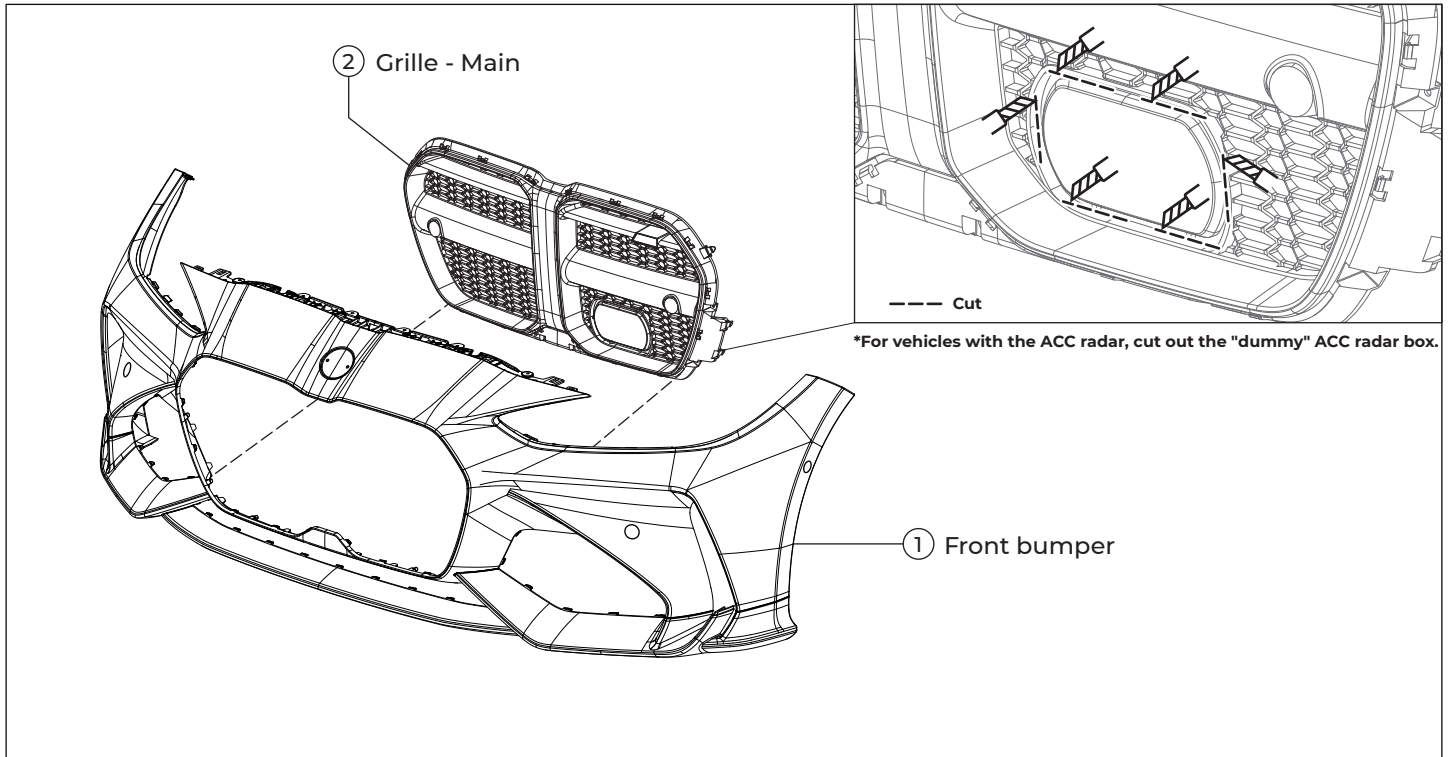
G8X M3/M4 FRONT BUMPER FASCIA

*Professional installation recommended

ENG.

Page 5 / 12

A-1. Install the inner components into the front bumper in the order shown below.



INSTALLATION GUIDE

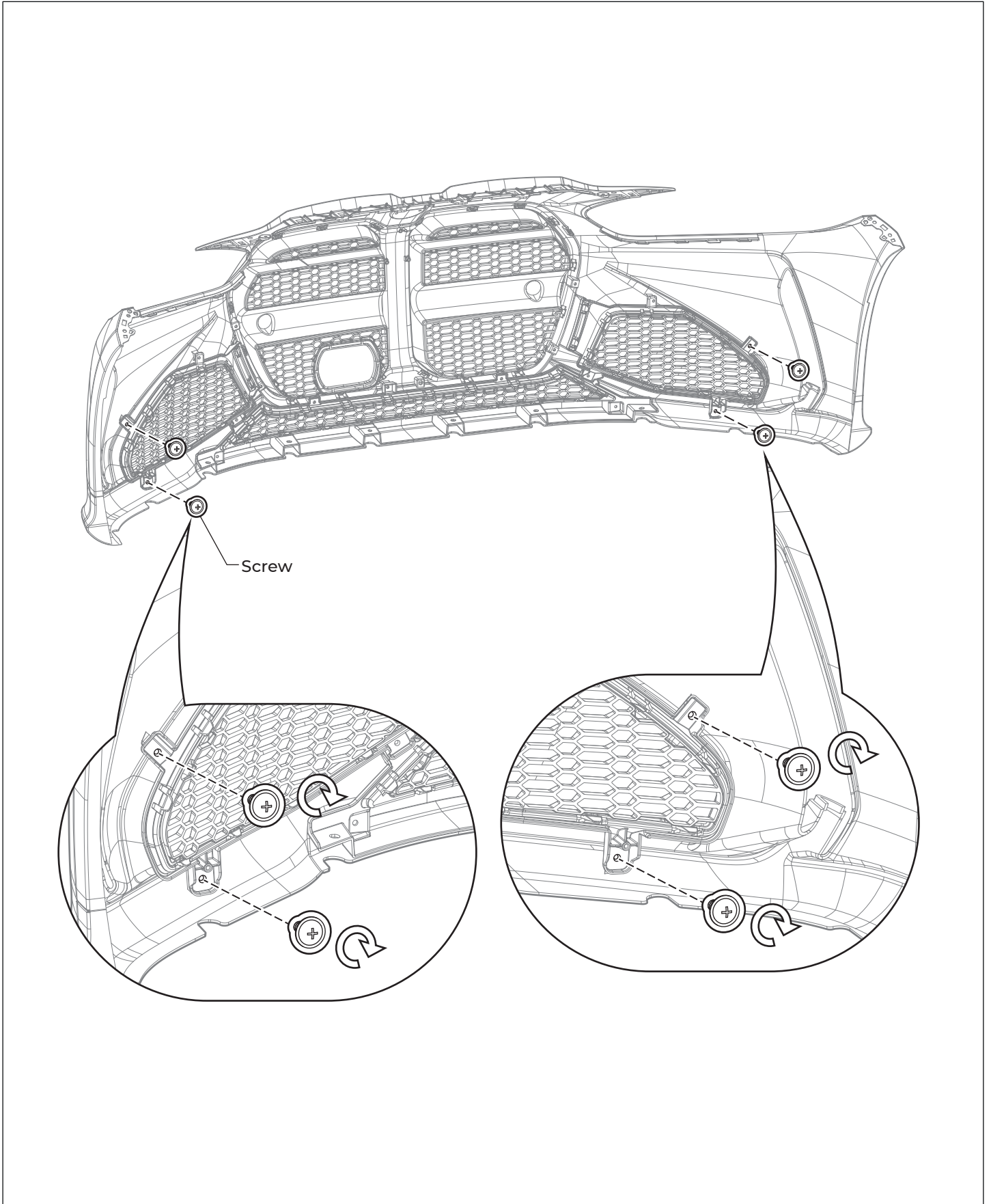
G8X M3/M4 FRONT BUMPER FASCIA

*Professional installation recommended

ENG.

Page 6 / 12

A-2. Fasten all the assembled components with the screws shown below.



INSTALLATION GUIDE

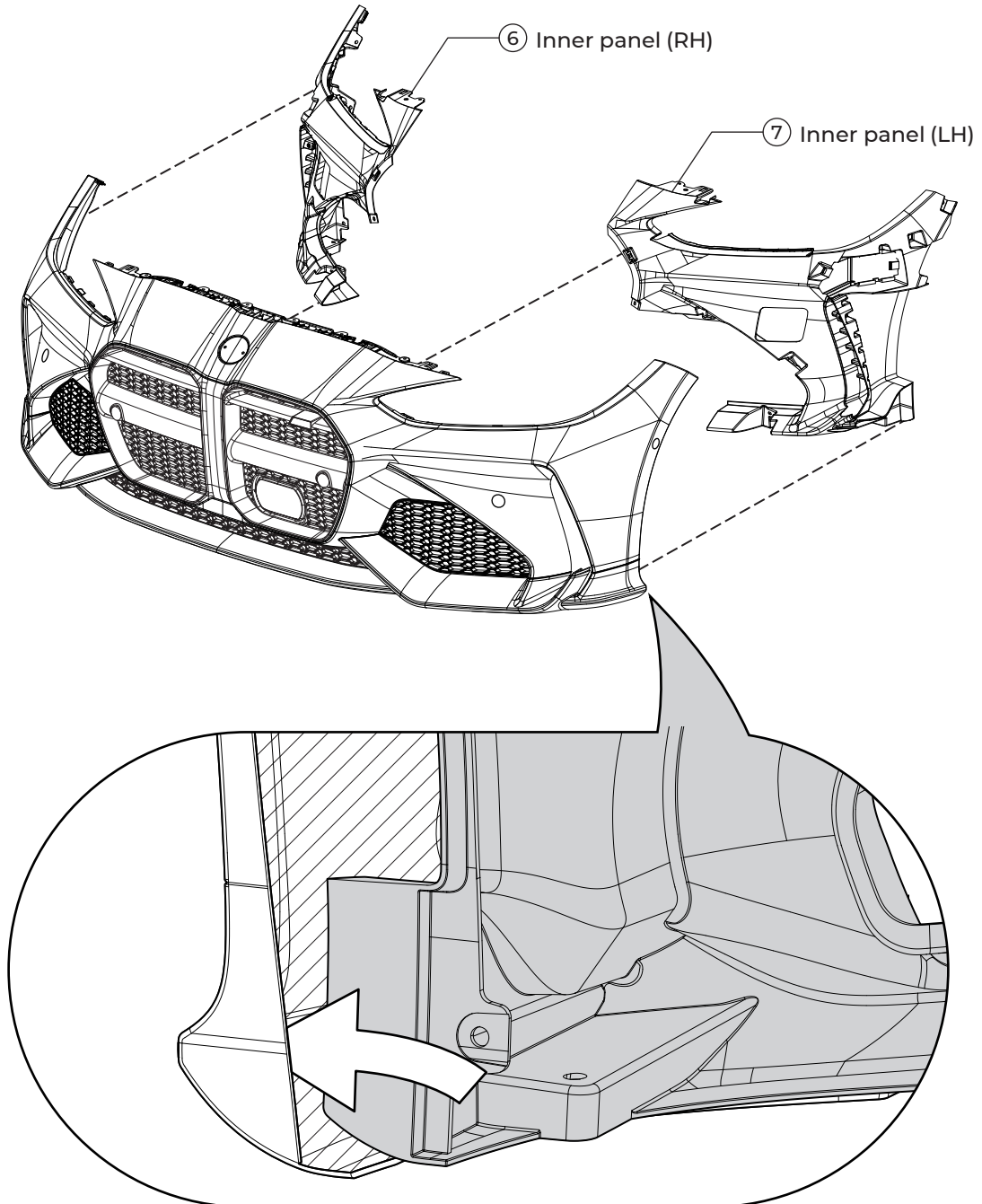
G8X M3/M4 FRONT BUMPER FASCIA

*Professional installation recommended

ENG.

Page 7 / 12

A-3. Install the inner components into the front bumper in the order shown below.



*Position the inner panel inside the bumper.
Be careful not to apply too much pressure as it will damage the bumper.

INSTALLATION GUIDE

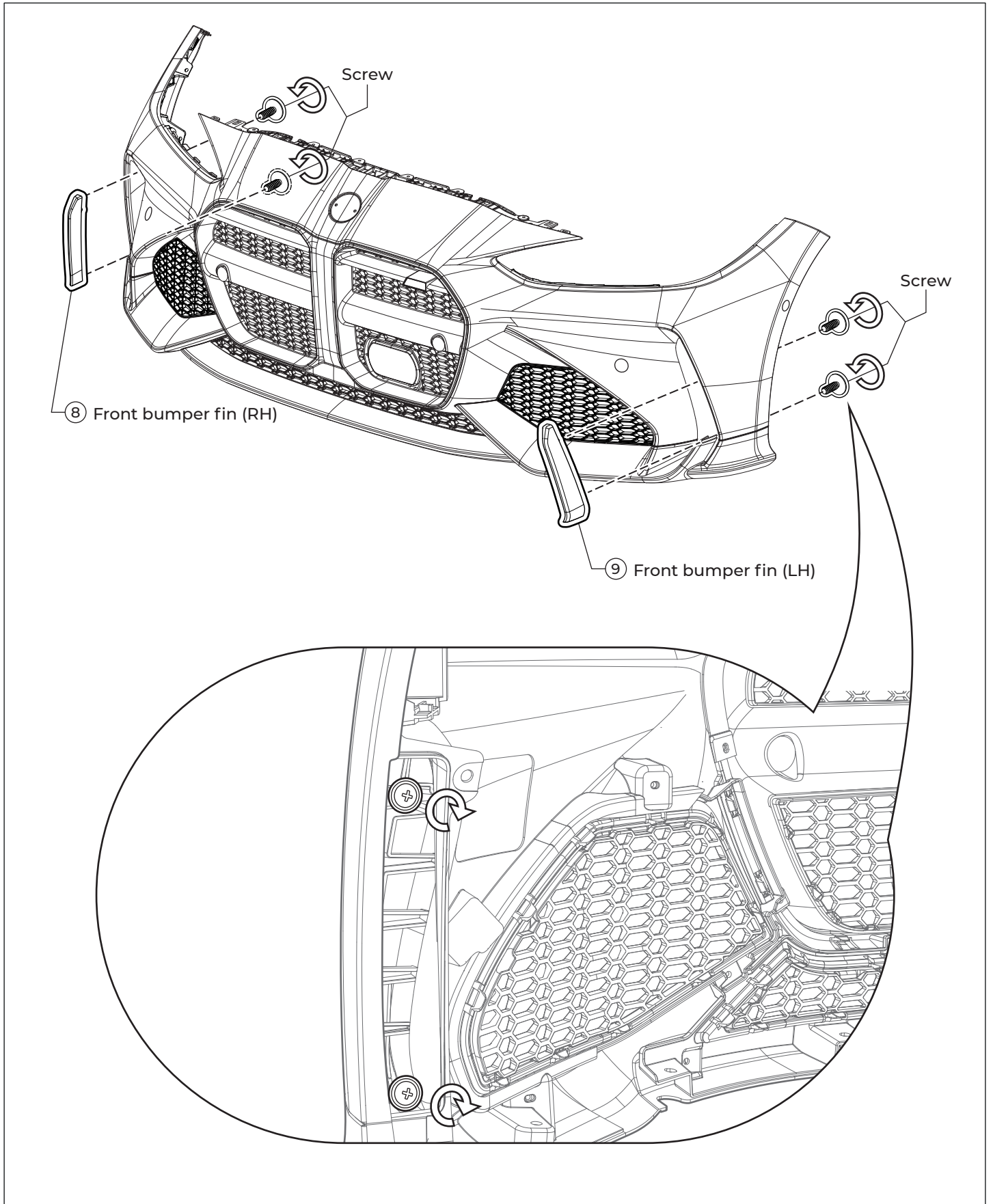
G8X M3/M4 FRONT BUMPER FASCIA

*Professional installation recommended

ENG.

Page 8 / 12

A-4. Install the fin into the front bumper in the order shown below.



INSTALLATION GUIDE

G8X M3/M4 FRONT BUMPER FASCIA

*Professional installation recommended

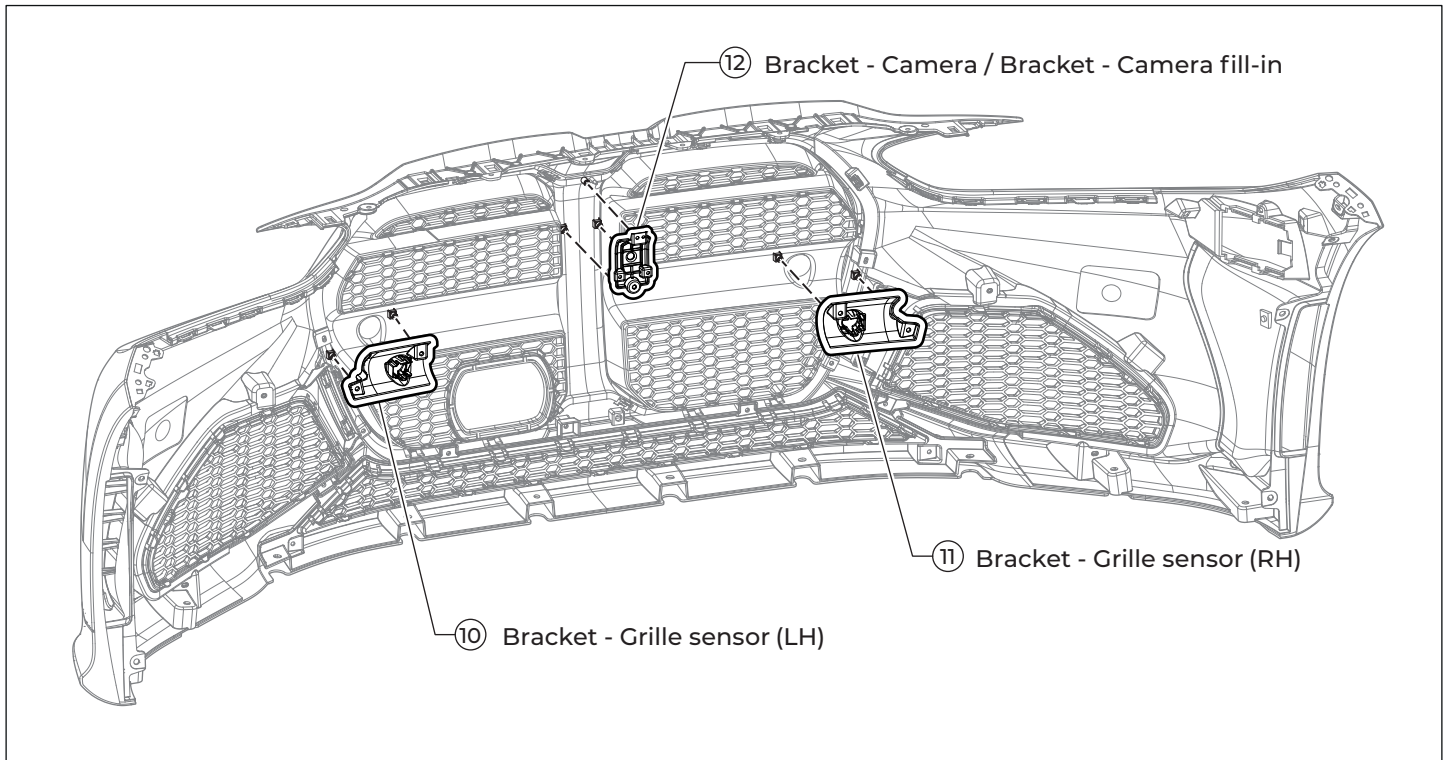
ENG.

Page 9 / 12

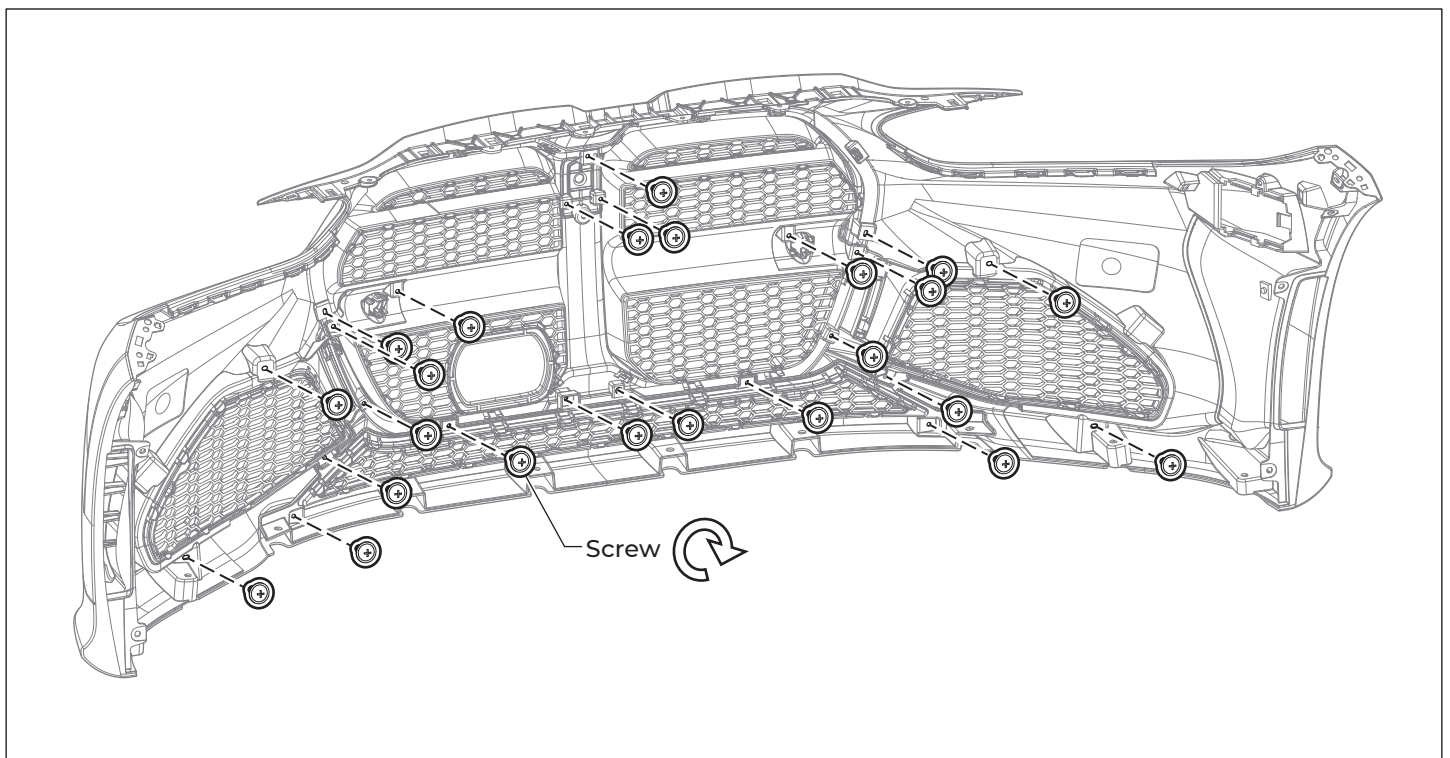
SPECIAL NOTE

In this step, the camera bracket components will vary depending on the vehicle trims.
Check your vehicle trims.

A-5. Assemble the bracket or bracket fill-ins Grille - Main in the order shown below.



A-6. Fasten all the assembled components with the screws shown below.



INSTALLATION GUIDE

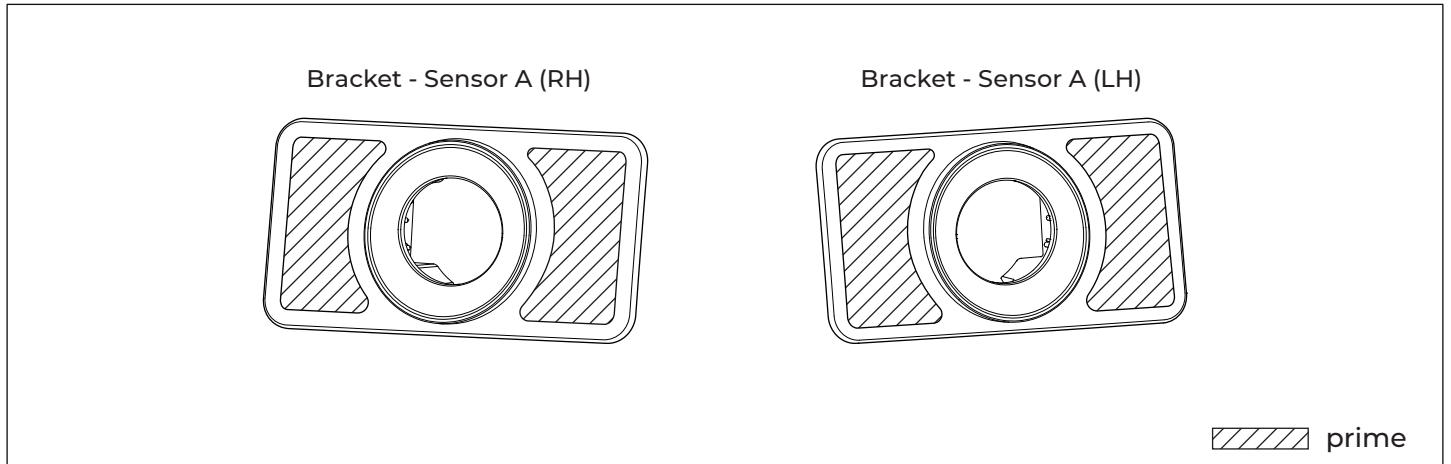
G8X M3/M4 FRONT BUMPER FASCIA

*Professional installation recommended

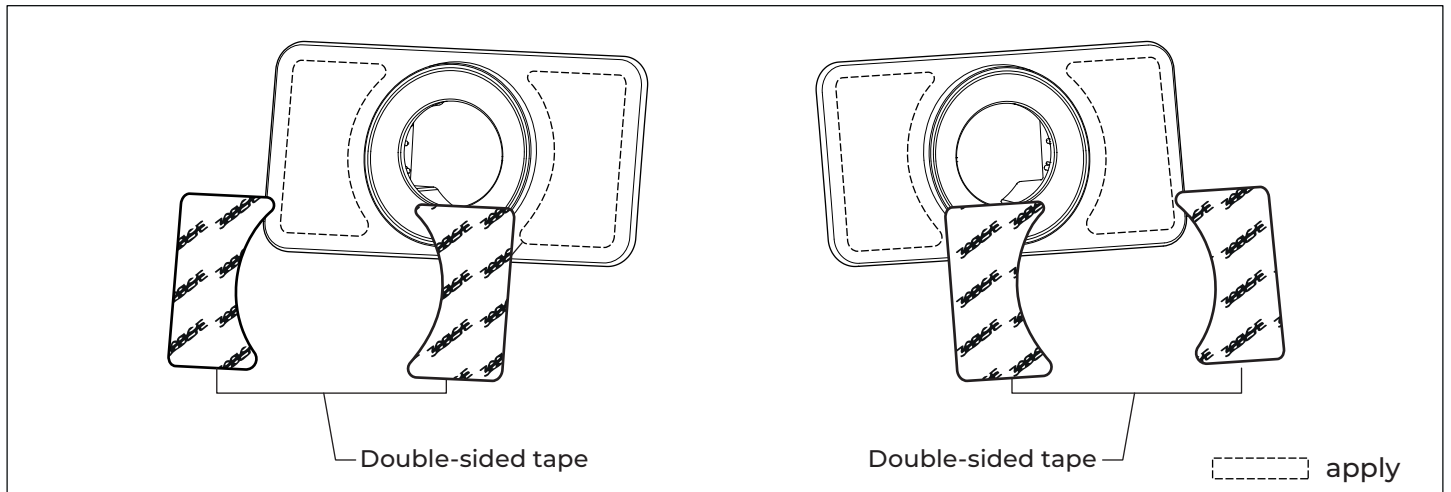
ENG.

Page 10 / 12

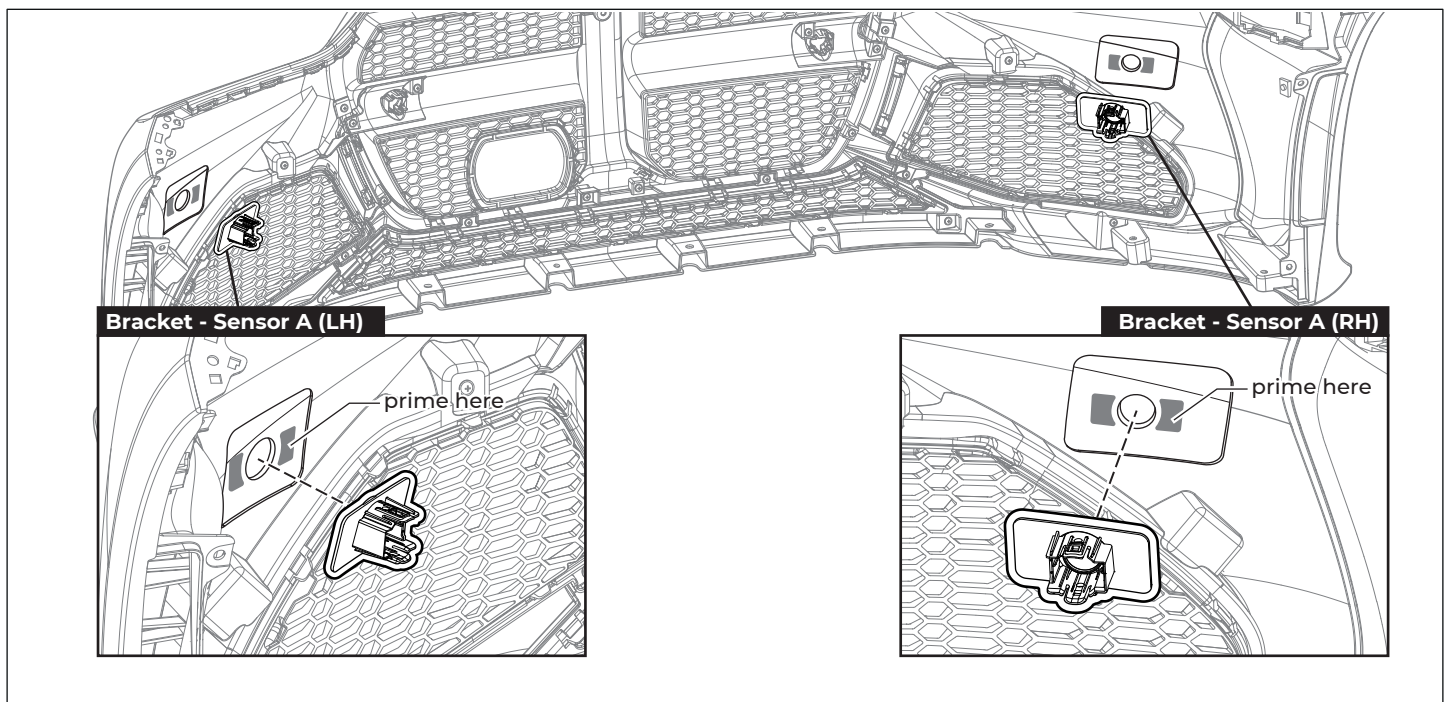
A-7. Prep the bracket - sensor A with the provided surface primer as shown in the figure below.



A-8. Remove the backing of the double-sided tape and apply as shown in the figure below.



A-9. Prep the inner panel with the provided surface primer as shown in the figure below.
Remove the front liner of the double-sided tape and apply as shown in the figure below.
*Do not install the sensor immediately after application. We recommend waiting at least two hours in order to ensure maximum bond of the double-sided tape.



INSTALLATION GUIDE

G8X M3/M4 FRONT BUMPER FASCIA

*Professional installation recommended

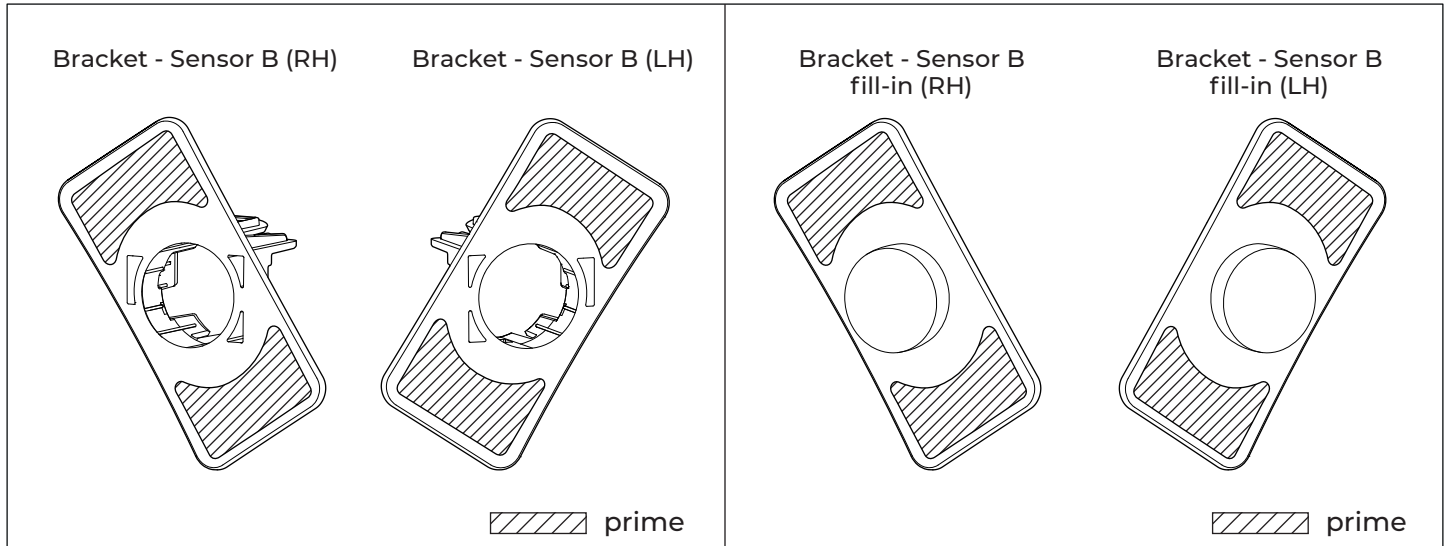
ENG.

Page 11 / 12

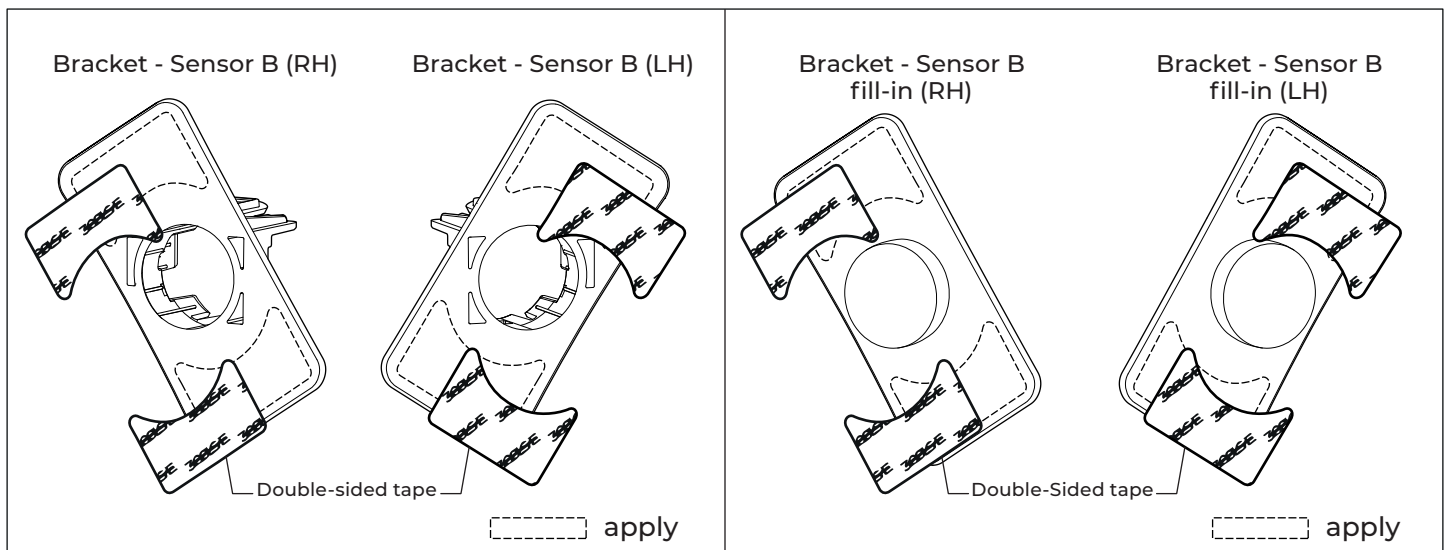
SPECIAL NOTE

In this step, the sensor bracket components will vary depending on the vehicle trims.
Check your vehicle trims.

A-10. Prep the bracket - sensor B or Bracket - Sensor B fill-in with the provided surface primer as shown in the figure below.



A-11. Remove the backing of the double-sided tape and apply as shown in the figure below.



INSTALLATION GUIDE

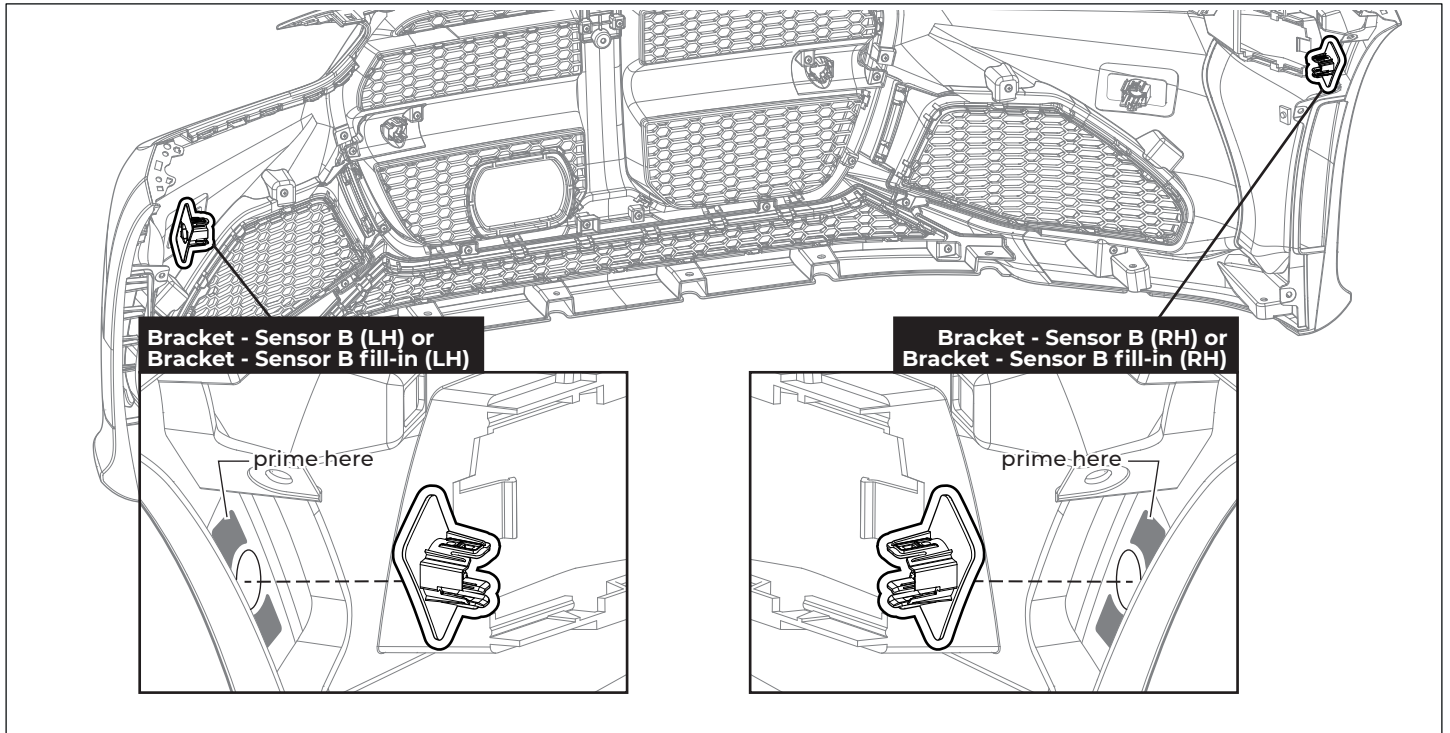
G8X M3/M4 FRONT BUMPER FASCIA

*Professional installation recommended

ENG.

Page 12 / 12

- A-12. Prep the bumper with the provided surface primer as shown in the figure below. Remove the front lining of the double-sided tape and apply as shown in the figure below.
*Do not install the sensor immediately after application. We recommend waiting at least two hours in order to ensure maximum bond of the double-sided tape.



- A-13. Transfer factory attachments such as the sensors, modules, and wiring harness to the ADRO bumper.

