



# **INSTALLATION INSTRUCTIONS**

**BLACK MODULAR GRILLE GUARD FOR JEEP GRAND CHEROKEE**

**99-04**

**PART # 17EB26MA**

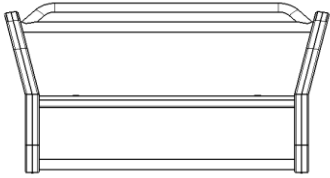
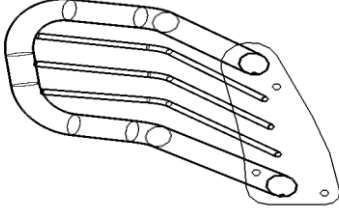
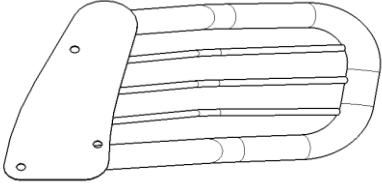
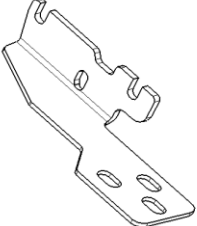
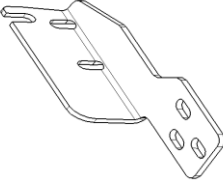
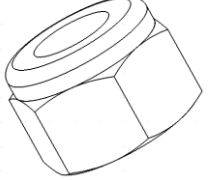

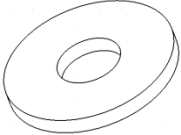
## Before Installation

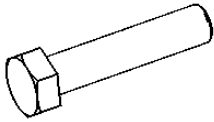
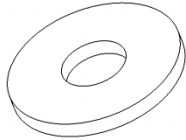
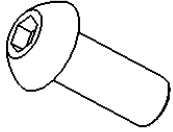
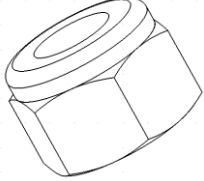
- Please read the instruction completely for easy installation, which will also help you to avoid scratches or other potential damages to your appealing car.
- The information shown here is for reference only and may differ from the product that you receive, however the goods are fitted in the same way.

## Care and Cleaning

- Mild soap may be used also to clean the Product.
- Please periodically check and retighten all the hardware and clean the investment for a refresh look.

## Parts list

NO.	QTY	PICTURE	NO.	QTY	PICTURE
①	1	 Front Guard	②	1	 Left Brush Guard
③	1	 Right Brush Guard	④	1	 Driver Side Mounting Bracket
⑤	1	 Passenger Side Mounting Bracket	⑥	6	 8mm Nylon Lock Nuts
⑦	1	 Allen wrench S=5	⑧	12	 8mm x 24mm OD x 2mm Large Flat Washers

<p>⑨</p>	<p>10</p>	 <p>12-1.75mm x 35mm Hex Bolts</p>	<p>⑩</p>	<p>20</p>	 <p>12mm x 37mm OD x 3mm Large Flat Washers</p>
<p>⑪</p>	<p>6</p>	 <p>8-1.5mm x 25mm Button Head Bolts</p>	<p>⑫</p>	<p>10</p>	 <p>12mm Nylon Lock Nuts</p>

**PROCEDURE:**

1. REMOVE CONTENTS FROM BOX. VERIFY ALL PARTS ARE PRESENT. READ INSTRUCTIONS CAREFULLY BEFORE STARTING INSTALLATION. ASSISTANCE IS RECOMMENDED.
2. First, the Front Guard and Brush Guards are assembled with (6) 8mm x 25mm Button Head Bolts, (12) 8mm Flat Washers and (6) 8mm Nylon Lock Nuts. **(Figure 1)**
3. Remove the plastic bumper cover. **NOTE:** The (6) factory clip nuts are not typically reusable and replacement clips and screws have been provided.
4. Select the driver side Frame Bracket. Remove the factory hex bolts, (if equipped). Line up the (2) holes in the Bracket with the factory holes in the bottom of the frame channel. Partially hang the driver side Mounting Bracket from the frame channel with (2) 12mm x 35mm Hex Bolts, (4) 12mm Flat Washers and (2) 12mm Nylon Lock Nuts. Do not tighten hardware at this time.
5. Move to the passenger side and remove the factory tow hook, (if equipped). Line up the (2) holes in the Bracket with the factory holes in the bottom of the frame channel. Repeat **Step 3** to install the passenger side Mounting Bracket. Do not tighten hardware at this time.
6. With assistance, position the Grille Guard up to the Mounting Brackets, (with the plastic bumper cover still removed). Use the included (6) 12mm x 35mm Hex Bolts, (12) 12mm Flat Washers and (6) 12mm Nylon Lock Nuts to attach the Grille Guard to the Mounting Brackets **(Figure 2)**. Do not fully tighten hardware on the Grille Guard at this time.
7. Align and adjust the Grille Guard properly and tighten all hardware on the Mounting Brackets only, (not the Grille Guard). Remove the Grille Guard.
8. Reinstall the factory plastic bumper cover using the supplied (6) ST4.8 x 20mm Screws and (6) Clip Nuts. Reinstall the Grille Guard as described in **Step 5 & 6** and fully tighten all hardware.
9. Do periodic inspections to the installation to make sure that all hardware is secure and tight.

**To protect your investment**, wax this product after installing. Regular waxing is recommended to add a protective layer over the finish. Do not use any type of polish or wax that may contain abrasives that could damage the finish.

**For stainless steel:** Aluminum polish may be used to polish small scratches and scuffs on the finish. Mild soap may be used also to clean the Grille Guard.

**For gloss black finishes:** Mild soap may be used to clean the Grille Guard.

